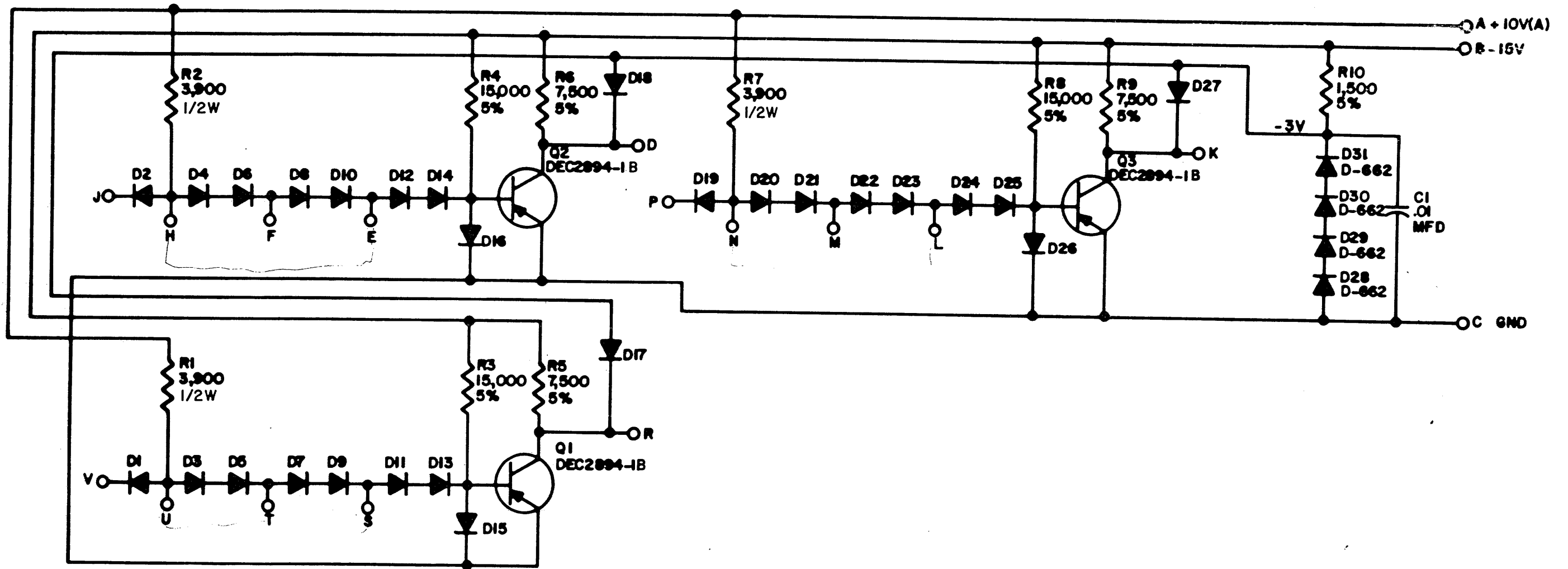
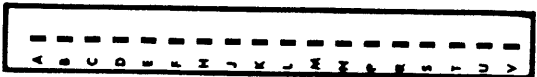


THIS SCHEMATIC IS FURNISHED ONLY FOR TEST AND MAINTENANCE PURPOSES. THE CIRCUITS ARE PROPRIETARY IN NATURE AND SHOULD BE TREATED ACCORDINGLY. COPYRIGHT 1964 BY DIGITAL EQUIPMENT CORPORATION



UNLESS OTHERWISE INDICATED:  
RESISTORS ARE 1/4W, 10%  
DIODES ARE D-664



<b>REVISIONS</b> CHK CHG NO. REV. REV. 5731 A 6463 B		DRN. H.W. PORTER CHK'D N. PERRYMAN ENG. P. SULLIVAN PROD.	DATE 10-6-64 DATE 10-8-64 DATE 10-8-64 DATE	<b>TRANSISTOR &amp; DIODE CONVERSION CHART</b> <table border="1"> <tr> <th>DEC</th> <th>EIA</th> <th>DEC</th> <th>EIA</th> </tr> <tr> <td>DEC2894-1B</td> <td>NONE</td> <td></td> <td></td> </tr> <tr> <td>D662</td> <td>IN645</td> <td></td> <td></td> </tr> <tr> <td>D664</td> <td>IN3606</td> <td></td> <td></td> </tr> </table>	DEC	EIA	DEC	EIA	DEC2894-1B	NONE			D662	IN645			D664	IN3606				TITLE <b>POSITIVE LEVEL CONVERTER W510</b> SIZE B CODE CS NUMBER W510-0-1 REV. B PRINTED CIRCUIT REV. B
DEC	EIA	DEC	EIA																			
DEC2894-1B	NONE																					
D662	IN645																					
D664	IN3606																					