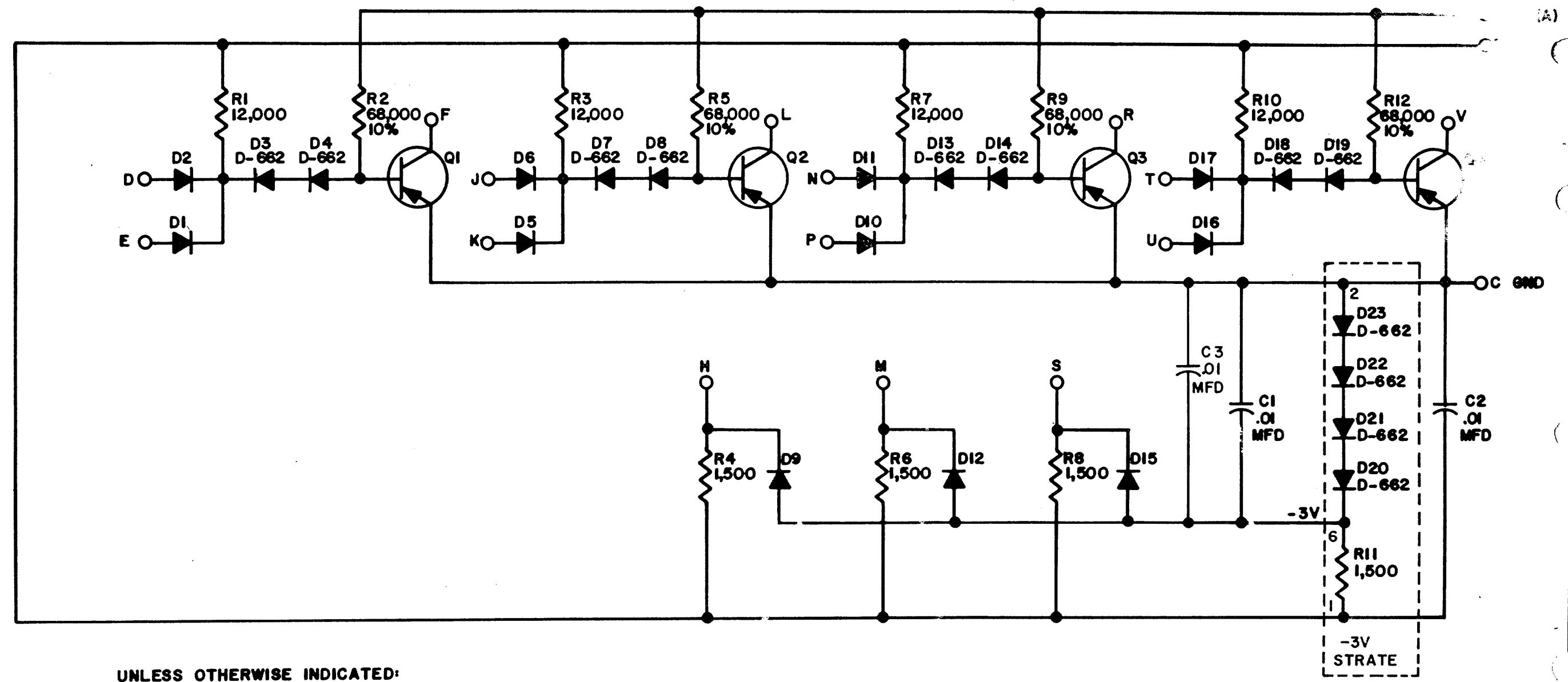
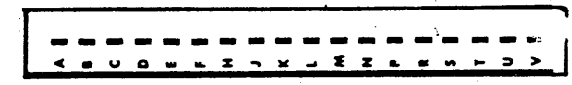


THIS SCHEMATIC IS FURNISHED ONLY FOR TEST AND MAINTENANCE PURPOSES. THE CIRCUITS ARE PROPRIETARY IN NATURE AND SHOULD BE TREATED ACCORDINGLY. COPYRIGHT 1964 BY DIGITAL EQUIPMENT CORPORATION



UNLESS OTHERWISE INDICATED:
 RESISTORS ARE 1/4W; 5%
 TRANSISTORS ARE DEC2894-1B
 DIODES ARE D-664



REVISIONS CHK CHG NO. REV. DAW 5270 2 REV. & REDR. BAW 5387 C BAW 5674 D	DRN. H. PORTER	DATE 4-29-64	TRANSISTOR & DIODE CONVERSION CHART				digital EQUIPMENT CORPORATION MAYNARD, MASSACHUSETTS	TITLE DIODE GATE B113			
	CHK'D N. PERRYMAN	DATE 5-4-64	DEC	EIA	DEC	EIA		SIZE B	CODE CS	NUMBER B113-0-1	REV. D
	ENG. B. SCUDNEY	DATE 5-4-64	D662	IN645				PRINTED CIRCUIT REV. C			
	PROD.	DATE	D664	IN3606							