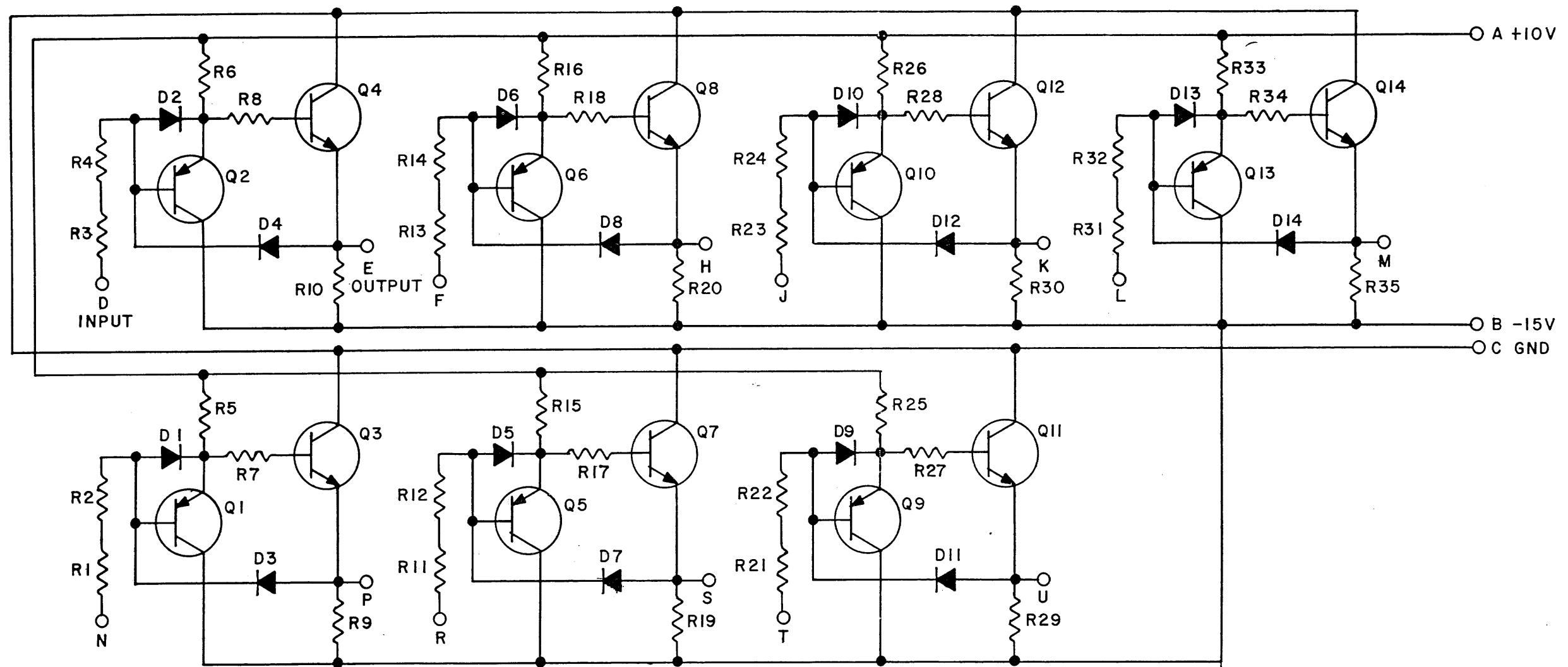


THIS SCHEMATIC IS FURNISHED ONLY FOR TEST AND MAINTENANCE PURPOSES. THE CIRCUITS ARE PROPRIETARY IN NATURE AND SHOULD BE TREATED ACCORDINGLY. COPYRIGHT 1965 BY DIGITAL EQUIPMENT CORPORATION



Q3,Q4,Q7,Q8,Q11,Q12,Q14	TRANSISTOR DEC3009B-S	1503100
Q1,Q2,Q5,Q6,Q9,Q10,Q13	TRANSISTOR DEC999-S	1501836
R9,R10,R19,R20,R29,R30,R35	RES. 3K 1/4W 5% CC	1300432
R7,R8,R17,R18,R27,R28,R34	RES. 100 1/4W 10% CC	1300231
R5,R6,R15,R16,R25,R26,R33	RES. 10K 1/4W 10% CC	1300481
R1-R4,R11-R14,R21-R24,R31,R32	RES. 1.5K 1/4W 5% CC	1300391
D1-D14	DIODE D664	1100114
	PARTS LIST	A-PL-W500-O-0
REFERENCE DESIGNATION	DESCRIPTION	PART NO.

PARTS LIST

REVISIONS	CHK	CHG NO.	REV.
	DAW	4638	1
	REV. & REDR.	7166	B

DRN. I. HAHN	DATE 4-27-65
CHK'D R. SILVERMAN	DATE 4-29-65
ENG. R. DOANE	DATE 4-27-65
PROD.	DATE

TRANSISTOR & DIODE CONVERSION CHART			
DEC	EIA	DEC	EIA
D664	IN3606		
DEC999	MM999		
DEC3009B	2N3009		

**digital**  
EQUIPMENT CORPORATION  
MAYNARD, MASSACHUSETTS

TITLE HIGH IMPEDANCE FOLLOWER W5' 0			
SIZE	CODE	NUMBER	REV.
B	CS	W500-0-1	B
PRINTED CIRCUIT REV.			A

324/434/435