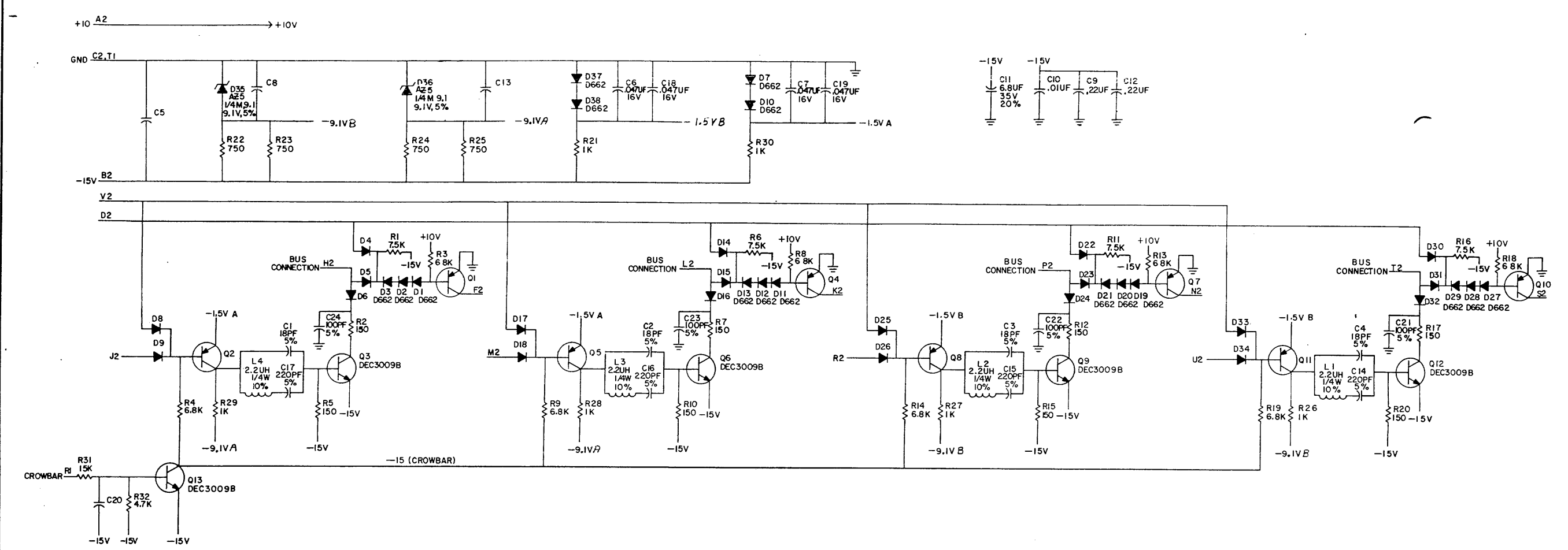
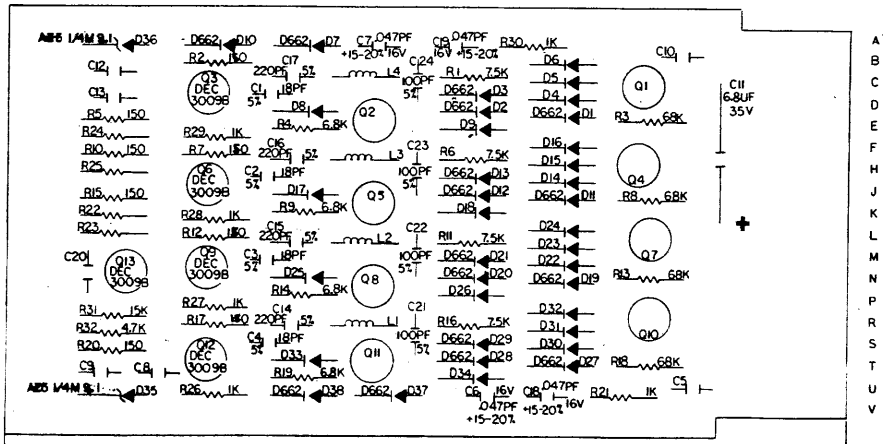


THIS SCHEMATIC IS FURNISHED ONLY FOR TEST AND MAINTENANCE PURPOSES. THE CIRCUITS ARE PROPRIETARY IN NATURE AND SHOULD BE TREATED ACCORDINGLY. COPYRIGHT 1971 BY DIGITAL EQUIPMENT CORPORATION.



UNLESS OTHERWISE INDICATED:
CAPACITORS ARE .01UF, 100V, 20%
DIODES ARE D664
TRANSISTORS ARE DEC4258
RESISTORS ARE 1/4W, 5%



26	9002337-03	HANDLE, FLIP CHIP - WHITE	1	13	1109990	DIODE A25 1/4M, 9.1	2
27	9006732	EYELET,	2	12	1100114	DIODE D664	20
26	1609756	COIL, CHOKE, 2.2uH, 10%	4	11	1100113	DIODE D662	16
25	1505321	TRANSISTOR 2n4258	8	10	1009678	CAP. .047PF 16V 15-20% DISC	4
24	1503100	TRANSISTOR DEC 3009B	5	9	1002608	CAP. 18PF 100V 5% D.M.	4
23	1301423	RES. 6.8K 1/4W 5%	4	8	1001610	CAP. .01UF 100V 20% DISC	5
22	1301422	RES. 7.5K 1/4W 5%	4	7	1000067	CAP. 6.8UF 35V 20% TANT	1
21	1301401	RES. 750 1/4W 5%	4	6	1000021	CAP. 220PF 100V 5% D.M.	4
20	1301327	RES. 68K 1/4W 5%	4	5	1000016	CAP. 100FF 100V 5% D.M.	4
19	1301322	RES. 15K 1/4W 5%	4	4	3009520	ETCHED CIRCUIT BOARD	1
18	1300496	RES. 15K 1/4W 5%	1	3	3-MH-W132-0-6	MODULE SOC HISTORY	
17	1300447	RES. 4.7K 1/4W 5%	1	2	3-AH-W132-0-5	ASSEMBLY DRILLING HOLE LAYOUT	
16	1300365	RES. 1K 1/4W 5%	6	1	K-CO-W132-0-4	X-Y COORDINATE HOLE LOCATION	
15	1300250	RES. 150 1/4W 5%	8	1	DEC PART NO.	DESCRIPTION	QTY.
14	10K0274	CAP. .22UF, 50V, CERAMIC	2			PARTS LIST	

REVISIONS	DATE	BY	DESCRIPTION
1	11/20/71	S. CRIPPER	INITIAL DESIGN
2	12/22/71		REVISED FOR MANUFACTURE
3	1/11/72		REVISED FOR MANUFACTURE
4	2/21/72		REVISED FOR MANUFACTURE

TRANSISTOR & DIODE CONVERSION CHART			
DEC	EIA	DEC	EIA
D664	1N3606	DEC3009B	2N3646
D662	1N845	DEC4258	2N4258

digital EQUIPMENT CORPORATION
TITLE: BUS TRANSCEIVER
SIZE: D CODE: CS NUMBER: W132-0-1 REV: D
PRINTED CIRCUIT REV: D