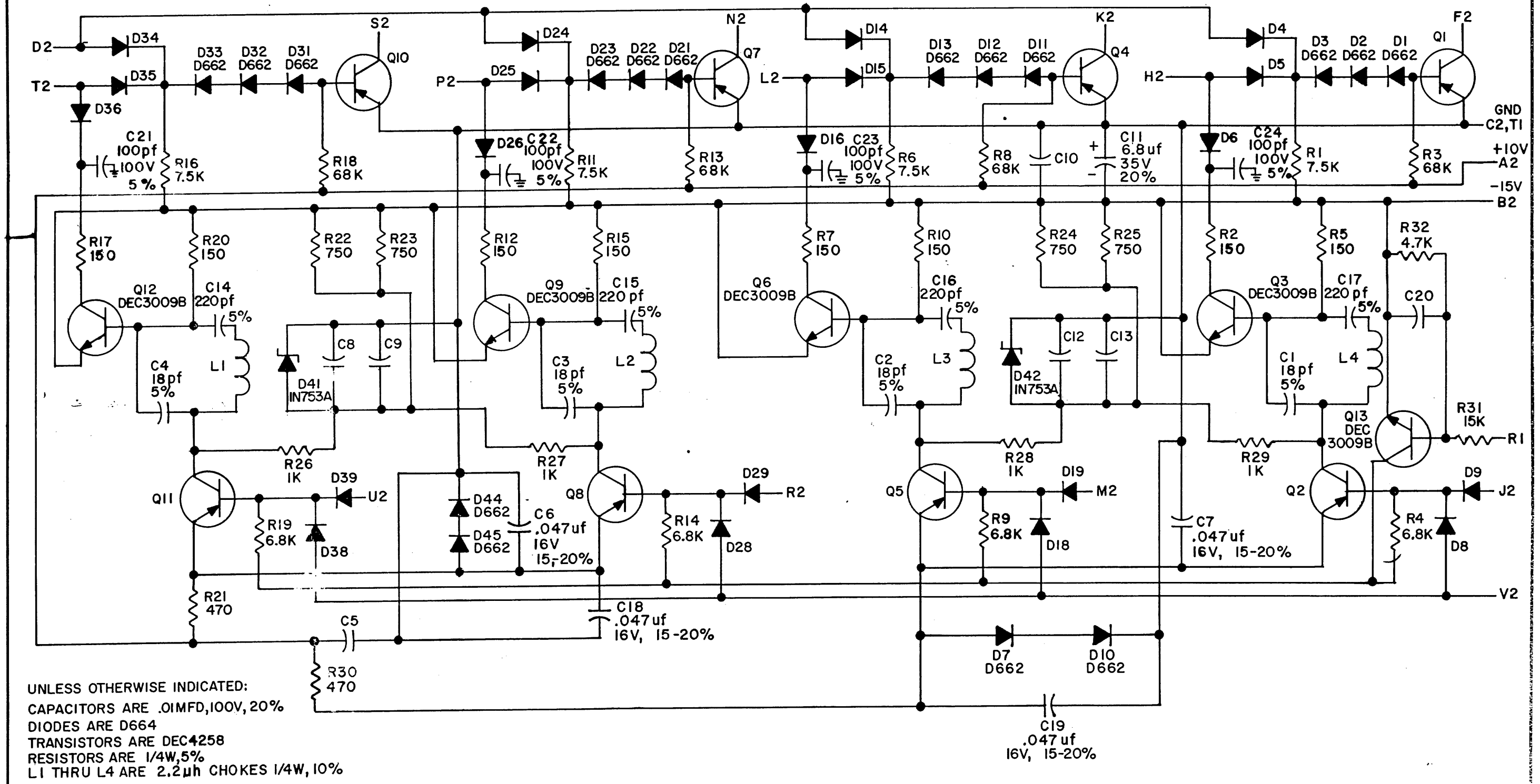


THIS SCHEMATIC IS FURNISHED ONLY FOR TEST AND MAINTENANCE PURPOSES. THE CIRCUITS ARE PROPRIETARY IN NATURE AND SHOULD BE TREATED ACCORDINGLY. COPYRIGHT 1969 BY DIGITAL EQUIPMENT CORPORATION



UNLESS OTHERWISE INDICATED:  
 CAPACITORS ARE .01MFD, 100V, 20%  
 DIODES ARE D664  
 TRANSISTORS ARE DEC4258  
 RESISTORS ARE 1/4W, 5%  
 L1 THRU L4 ARE 2.2μH CHOKES 1/4W, 10%

REV. NO.	CHG NO.	REV.
00001	A	
00002	B	
00003	C	
00004	D	

DRN	DATE
<i>Butler</i>	10/15/69
CHK'D	DATE
<i>J. D. ...</i>	12/11/69
ENG.	DATE
<i>...</i>	5-14-70
PROD.	DATE

TRANSISTOR & DIODE CONVERSION CHART			
DEC	EIA	DEC	EIA
D664	IN3606		
D662	IN645		
DEC3009B	2N3009B		
DEC4258	NONE		
DECIN753A	SAME		

**digital**  
 EQUIPMENT CORPORATION  
 MAYNARD, MASSACHUSETTS

TITLE			
BUS TRANSCEIVER W122			
SIZE	CODE	NUMBER	REV.
B	CS	W122-0-1	D
PRINTED CIRCUIT REV.			F