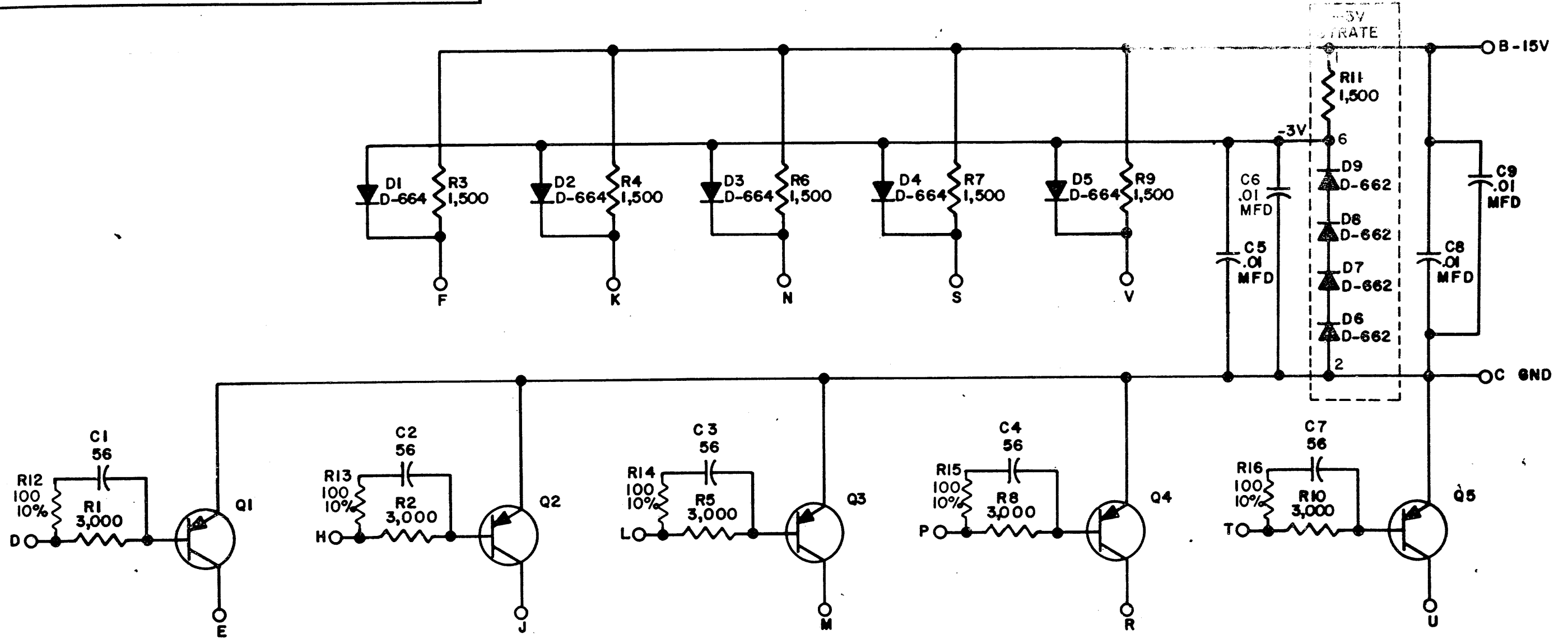


THIS SCHEMATIC IS FURNISHED ONLY FOR TEST AND MAINTENANCE PURPOSES. THE CIRCUITS ARE PROPRIETARY IN NATURE AND SHOULD BE TREATED ACCORDINGLY. COPYRIGHT 1964 BY DIGITAL EQUIPMENT CORPORATION



UNLESS OTHERWISE INDICATED:
 RESISTORS ARE 1/4W; 5%
 CAPACITORS ARE MMFD
 TRANSISTORS ARE DEC 2894-1B



REVISIONS	CHK	CHG NO.	REV.
	DAW	5269	3
	REV. & REDR.	5381	E

DRN. H PORTER	DATE 4-29-64
CHK'D N PERRYMAN	DATE 5-4-64
ENG. B SCUDNEY	DATE 5-4-64
PROD.	DATE

TRANSISTOR & DIODE CONVERSION CHART			
DEC	EIA	DEC	EIA
DEC2894-1B	NONE		
D662	1N645		
D664	1N3606		

digital
 EQUIPMENT CORPORATION
 MAYNARD, MASSACHUSETTS

TITLE INVERTER B105			
SIZE B	CODE CS	NUMBER B105-0-1	REV. E
PRINTED CIRCUIT REV.			D