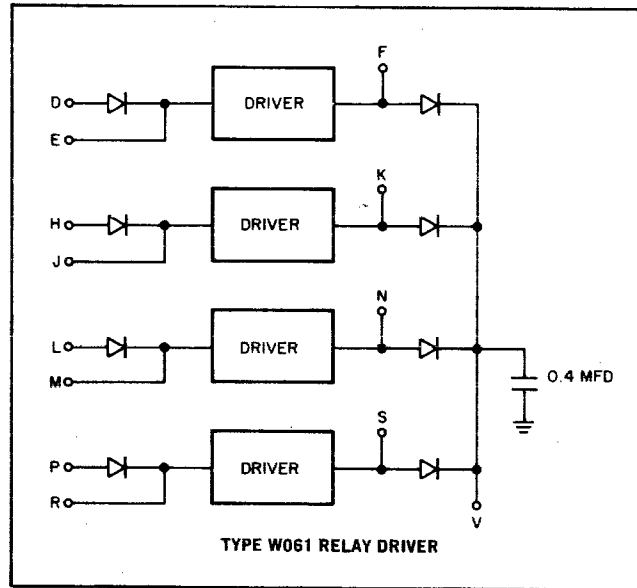


RELAY DRIVER TYPE W061

W
SERIES



The W061 Relay Driver has four all-silicon 250 ma drivers with gateable inputs; it can drive relays and solenoids with positive voltage supplies up to 55v.

INPUTS: 2 ma at ground, no load at $-3v$. Use diodes for ungated input. Multiple-input AND gate may be obtained by connecting R001 or R002 diodes to node inputs.

OUTPUTS: The loads are to be connected between the outputs and an external positive supply. Each output can supply a quarter-amp load at

ground when the input(s) is (are) negative. Pin V must be connected to the positive voltage supply so inductive loads will not cause output transistor breakdown. Supply voltage should be between 2 and 55v positive. Typical delay for circuit alone: 1 μ sec. Decay time of current in inductive loads may be much longer.

POWER: + 10v(A)/70 ma; $-15v/8$ ma.

OTHER POWER: Inductive loads cause clamp currents at pin V tending to drive supply voltage more positive when drivers are turned off.