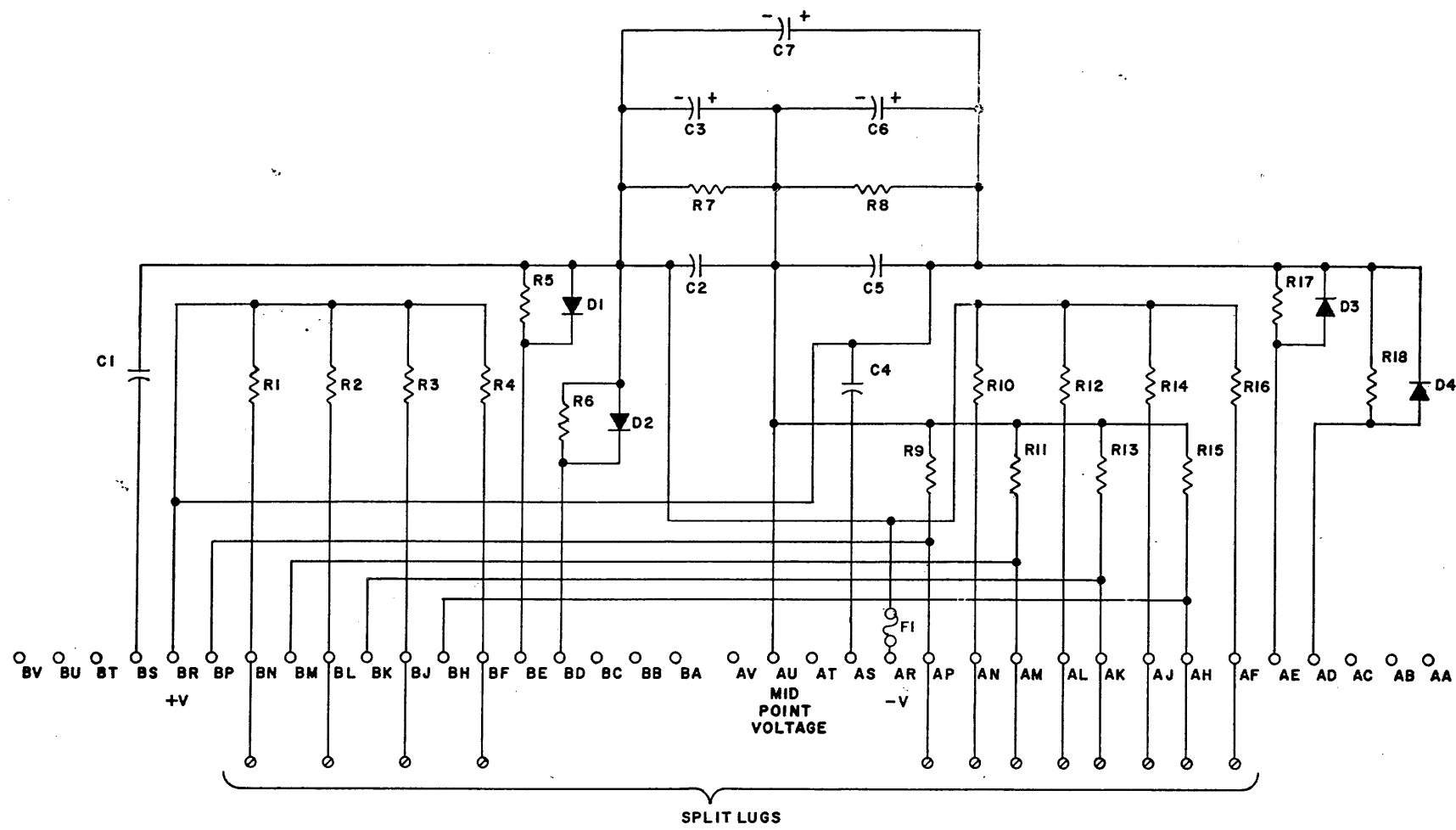


THIS SCHEMATIC IS BURNED ON THE BOARD. THE PARTS LIST AND PARTS LIST NUMBER ARE PRINTED IN THE LOWER RIGHT CORNER OF THE BOARD.
 COPYRIGHT 1967 BY DIGITAL EQUIPMENT CORPORATION



| | | |
|-----------------------------|-------------------------------|---------------|
| F1 | FUSE 1/2 AMP. BUSS GFA | 9007208 |
| R9, R11, R13, R15 | RES. 82 1/2W 10% CC | 1300225 |
| R7, R8 | RES. 470 2W 5% CC | 1303062 |
| R6, R18 | RES. 40 10W 1% | 1305787 |
| R5, R17 | RES. 20 10W 1% WW | 1300187 |
| R1 - R4, R10, R12, R14, R16 | RES. 1K 1/4W 5% CC | 1300365 |
| D1 - D4 | DIODE D671 | 1103309 |
| C3, C6, C7 | CAP. 20 MFD 50V -10+75% ELECT | 1002839 |
| C2, C5 | CAP. .01 MFD 100V 20% DISC | 1001610 |
| C1, C4 | CAP. 470 MMF 100V 5% D.M. | 1000024 |
| PARTS LIST | | A-PL-W014-0-0 |
| REFERENCE DESIGNATION | DESCRIPTION | PART NO. |

| | | |
|-----------|-----------|------|
| REVISIONS | CHK'G NO. | REV. |
| | 7174 | 1.0 |

| | |
|------------------|----------|
| DRN. | DATE |
| <i>M. Waller</i> | 11-9-67 |
| CHK'D | DATE |
| | 11/13/67 |
| ENG. | DATE |
| <i>u.e.</i> | 11/13/67 |
| PROD. | DATE |
| 3 | |

| TRANSISTOR & DIODE CONVERSION CHART | | | |
|-------------------------------------|--------|-----|-----|
| DEC | EIA | DEC | EIA |
| D671 | 1N3693 | | |
| | | | |
| | | | |

digital EQUIPMENT CORPORATION
 MAYNARD, MASSACHUSETTS

TITLE: **DIGIT STACK CONNECTOR W014**

SIZE: C CODE: CS NUMBER: W014-0-1 REV: D

PRINTED CIRCUIT REV: A

REV. D
 NUMBER W014-0-1
 SIZE CODE C