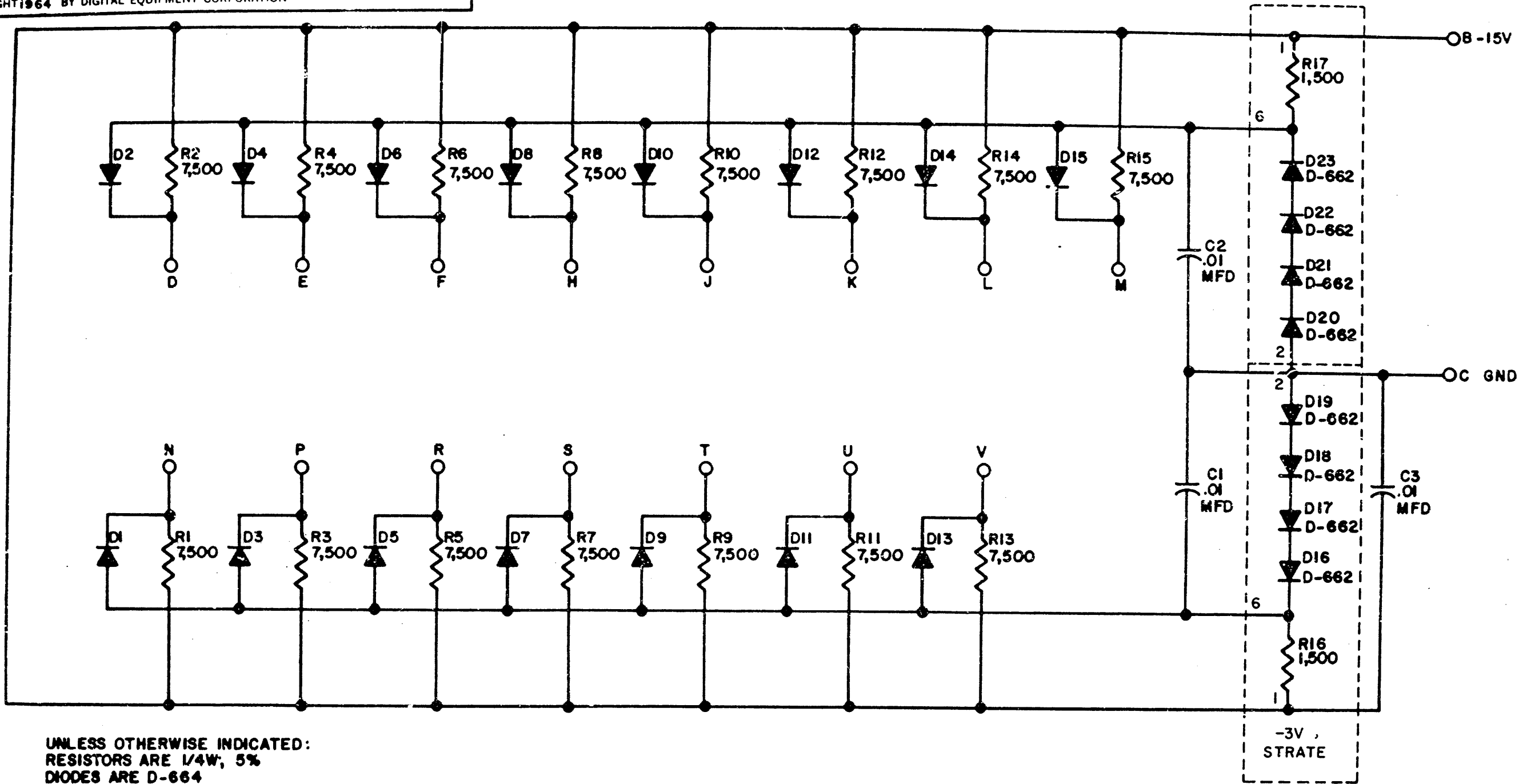


THIS SCHEMATIC IS FURNISHED ONLY FOR TEST AND MAINTENANCE PURPOSES. THE CIRCUITS ARE PROPRIETARY IN NATURE AND SHOULD BE TREATED ACCORDINGLY. COPYRIGHT 1964 BY DIGITAL EQUIPMENT CORPORATION



UNLESS OTHERWISE INDICATED:
 RESISTORS ARE 1/4W, 5%
 DIODES ARE D-664

USE THE ETCH BOARD OF THE W005



REVISIONS	CHK NO	REV
1	251	1
BY	AREDR.	B
DATE	8396	

DRN.	DATE
A. QUELLETTE	7-31-64
CHK'D	DATE
N. PERRYMAN	8-4-64
ENG.	DATE
B. SCUDNEY	8-4-64
PROD.	DATE

TRANSISTOR & DIODE CONVERSION CHART			
DEC	EIA	DEC	EIA
D662	IN645		
D664	IN3606		



TITLE			
CLAMP LOADS W002			
SIZE	CODE	NUMBER	REV.
B	CS	W002-0-1	B
PRINTED CIRCUIT REV			A B