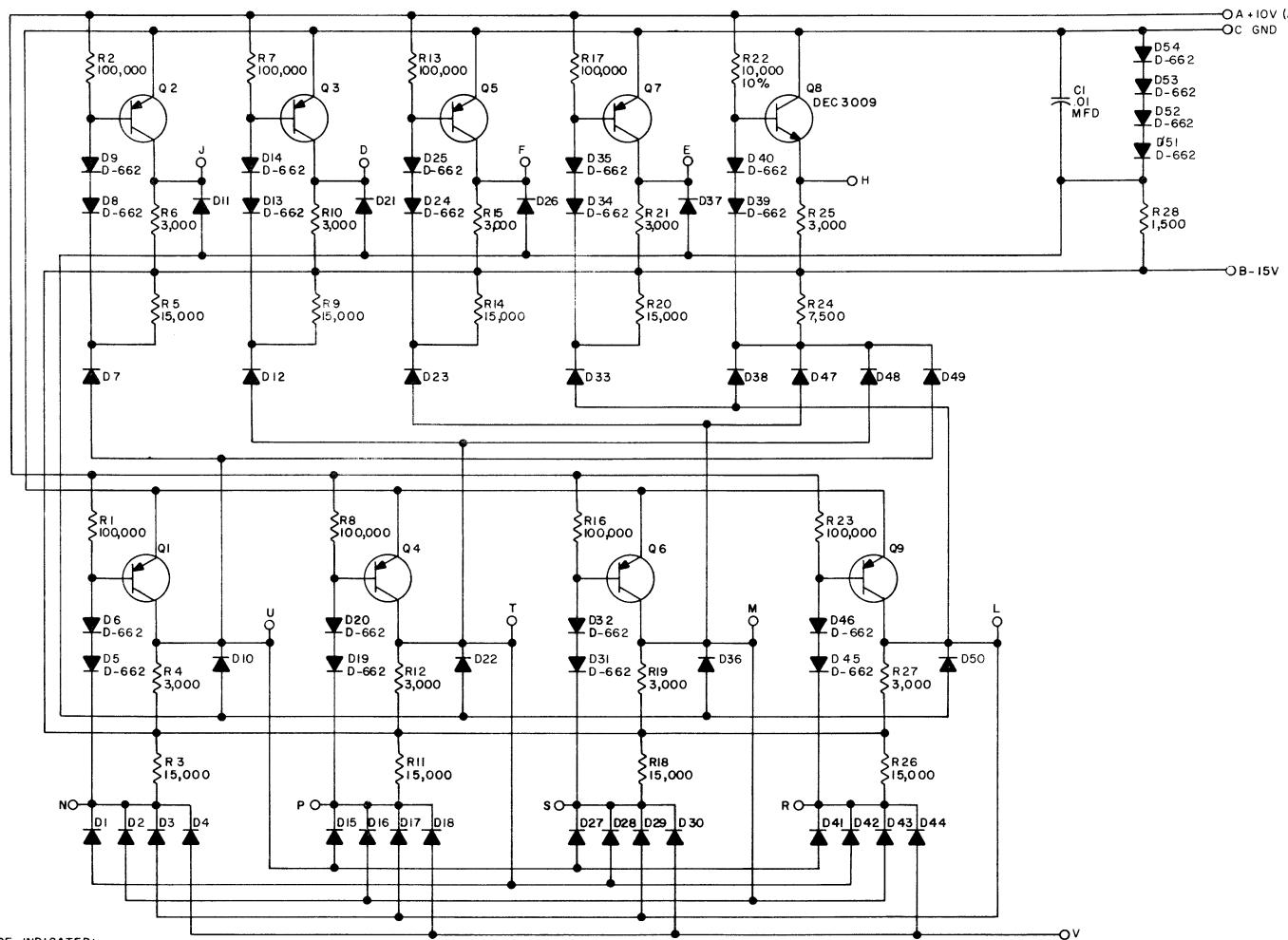


RS-C-S284 Quadraflop



UNLESS OTHERWISE INDICATED:
 RESISTORS ARE 1/4W,5%
 TRANSISTORS ARE DEC 3639
 DIODES ARE D-664