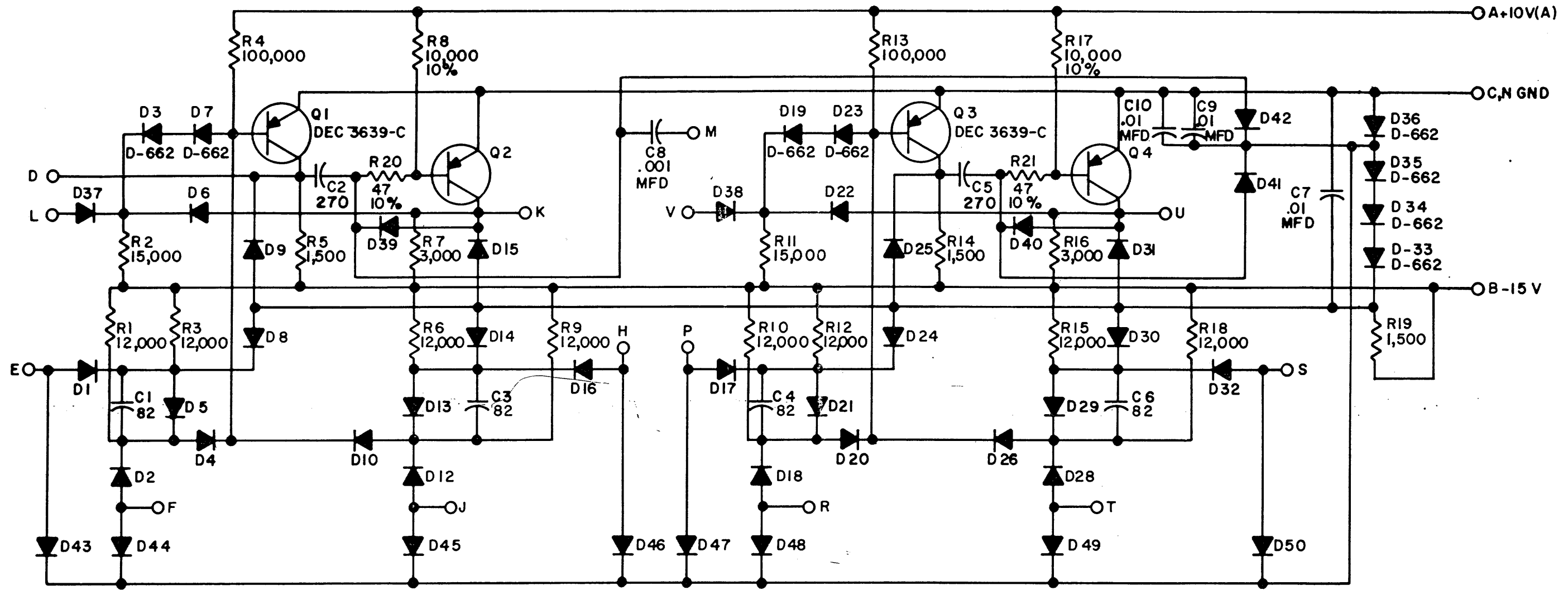


THIS SCHEMATIC IS FURNISHED ONLY FOR TEST AND MAINTENANCE PURPOSES. THE CIRCUITS ARE PROPRIETARY IN NATURE AND SHOULD BE TREATED ACCORDINGLY. COPYRIGHT 1965 BY DIGITAL EQUIPMENT CORPORATION



UNLESS OTHERWISE INDICATED:  
 RESISTORS ARE 1/4W; 5%  
 CAPACITORS ARE MMFD  
 DIODES ARE D-664  
 TRANSISTORS ARE DEC2894-2B

USE THE ETCH BOARD OF THE R602

<table border="1"> <tr> <th>REVISIONS</th> <th>CHK</th> <th>CHG NO.</th> <th>REV.</th> </tr> <tr> <td></td> <td>DAW</td> <td>5275</td> <td>2</td> </tr> <tr> <td></td> <td>REV. BY</td> <td>5372</td> <td>C</td> </tr> <tr> <td></td> <td>REV. BY</td> <td>5386</td> <td>C</td> </tr> <tr> <td></td> <td>REV. BY</td> <td>5924</td> <td>D</td> </tr> <tr> <td></td> <td>REV. BY</td> <td>6684</td> <td>E</td> </tr> <tr> <td></td> <td></td> <td></td> <td>F</td> </tr> <tr> <td></td> <td></td> <td></td> <td>H</td> </tr> </table>				REVISIONS	CHK	CHG NO.	REV.		DAW	5275	2		REV. BY	5372	C		REV. BY	5386	C		REV. BY	5924	D		REV. BY	6684	E				F				H	<table border="1"> <tr> <td>DRN.</td> <td>I HAHN</td> <td>DATE</td> <td>6-14-65</td> </tr> <tr> <td>CHK'D</td> <td>R SILVERMAN</td> <td>DATE</td> <td>6-18-65</td> </tr> <tr> <td>ENG.</td> <td>R SOGGE</td> <td>DATE</td> <td>6-18-65</td> </tr> <tr> <td>PROD.</td> <td></td> <td>DATE</td> <td></td> </tr> </table>		DRN.	I HAHN	DATE	6-14-65	CHK'D	R SILVERMAN	DATE	6-18-65	ENG.	R SOGGE	DATE	6-18-65	PROD.		DATE		<table border="1"> <tr> <th colspan="4">TRANSISTOR &amp; DIODE CONVERSION CHART</th> </tr> <tr> <th>DEC</th> <th>EIA</th> <th>DEC</th> <th>EIA</th> </tr> <tr> <td>DEC2894-2B</td> <td>NONE</td> <td></td> <td></td> </tr> <tr> <td>DEC3639-C</td> <td>2N3639</td> <td></td> <td></td> </tr> <tr> <td>D662</td> <td>IN645</td> <td></td> <td></td> </tr> <tr> <td>D664</td> <td>IN3606</td> <td></td> <td></td> </tr> </table>				TRANSISTOR & DIODE CONVERSION CHART				DEC	EIA	DEC	EIA	DEC2894-2B	NONE			DEC3639-C	2N3639			D662	IN645			D664	IN3606					<table border="1"> <tr> <td colspan="4">TITLE</td> </tr> <tr> <td colspan="4">PULSE AMPLIFIER S602</td> </tr> <tr> <td>SIZE</td> <td>CODE</td> <td>NUMBER</td> <td>REV.</td> </tr> <tr> <td>B</td> <td>CS</td> <td>S602-0-1</td> <td>H</td> </tr> <tr> <td colspan="3">PRINTED CIRCUIT REV.</td> <td>H K</td> </tr> </table>		TITLE				PULSE AMPLIFIER S602				SIZE	CODE	NUMBER	REV.	B	CS	S602-0-1	H	PRINTED CIRCUIT REV.			H K
REVISIONS	CHK	CHG NO.	REV.																																																																																																						
	DAW	5275	2																																																																																																						
	REV. BY	5372	C																																																																																																						
	REV. BY	5386	C																																																																																																						
	REV. BY	5924	D																																																																																																						
	REV. BY	6684	E																																																																																																						
			F																																																																																																						
			H																																																																																																						
DRN.	I HAHN	DATE	6-14-65																																																																																																						
CHK'D	R SILVERMAN	DATE	6-18-65																																																																																																						
ENG.	R SOGGE	DATE	6-18-65																																																																																																						
PROD.		DATE																																																																																																							
TRANSISTOR & DIODE CONVERSION CHART																																																																																																									
DEC	EIA	DEC	EIA																																																																																																						
DEC2894-2B	NONE																																																																																																								
DEC3639-C	2N3639																																																																																																								
D662	IN645																																																																																																								
D664	IN3606																																																																																																								
TITLE																																																																																																									
PULSE AMPLIFIER S602																																																																																																									
SIZE	CODE	NUMBER	REV.																																																																																																						
B	CS	S602-0-1	H																																																																																																						
PRINTED CIRCUIT REV.			H K																																																																																																						