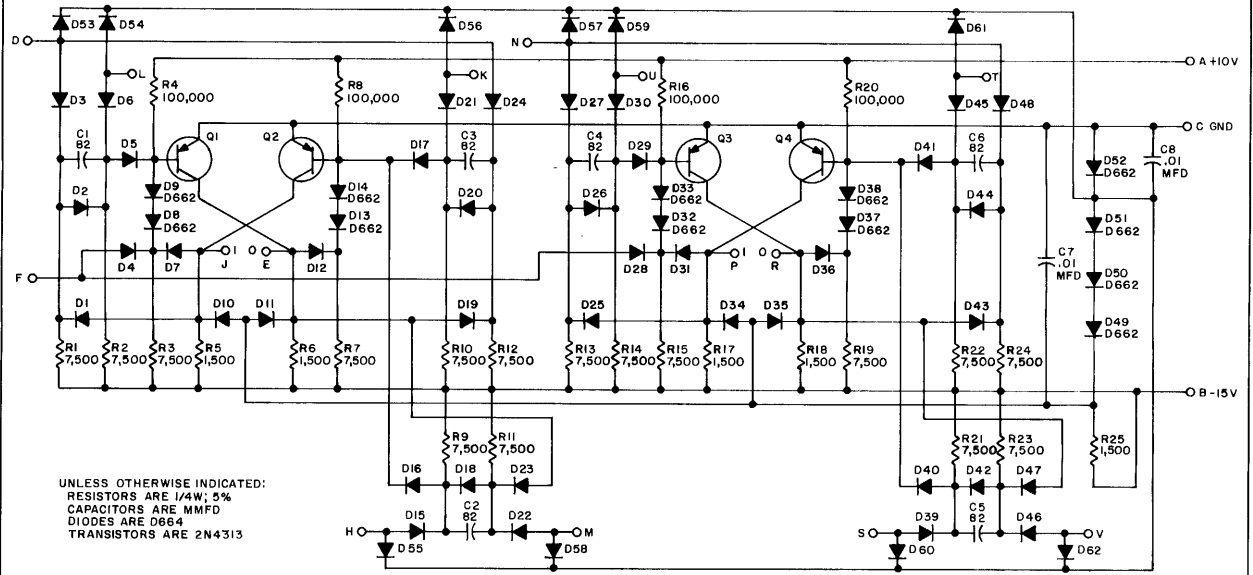


THIS SCHEMATIC IS FURNISHED ONLY FOR TEST AND MAINTENANCE PURPOSES. THE CIRCUITS ARE PROPRIETARY IN NATURE AND SHOULD BE TREATED ACCORDINGLY. COPYRIGHT 1967 BY DIGITAL EQUIPMENT CORPORATION



UNLESS OTHERWISE INDICATED:
RESISTORS ARE 1/4W, 5%
CAPACITORS ARE MMFD
DIODES ARE D664
TRANSISTORS ARE 2N4313

USE THE ETCH BOARD OF THE R205

REVISIONS	CHK	CHG	NO	REV
	✓	✓	6251	A
	✓	✓	6758	B

DRN	<i>M. Waller</i>	DATE	3-9-67
CHK'D		DATE	1/16
FR	<i>made</i>	DATE	3/11/67
PRWD		DATE	

TRANSISTOR & DIODE CONVERSION CHART			
DEC		EIA	
D662		IN645	
D664		IN3606	
2N4313		SAME	

digital
EQUIPMENT CORPORATION
MAYNARD, MASSACHUSETTS

TITLE			
DUAL FLIP-FLOP S206			
SIZE	CODE	NUMBER	REV
B	CS	S206-0-1	B
PRINTED CIRCUIT REV			
C D			