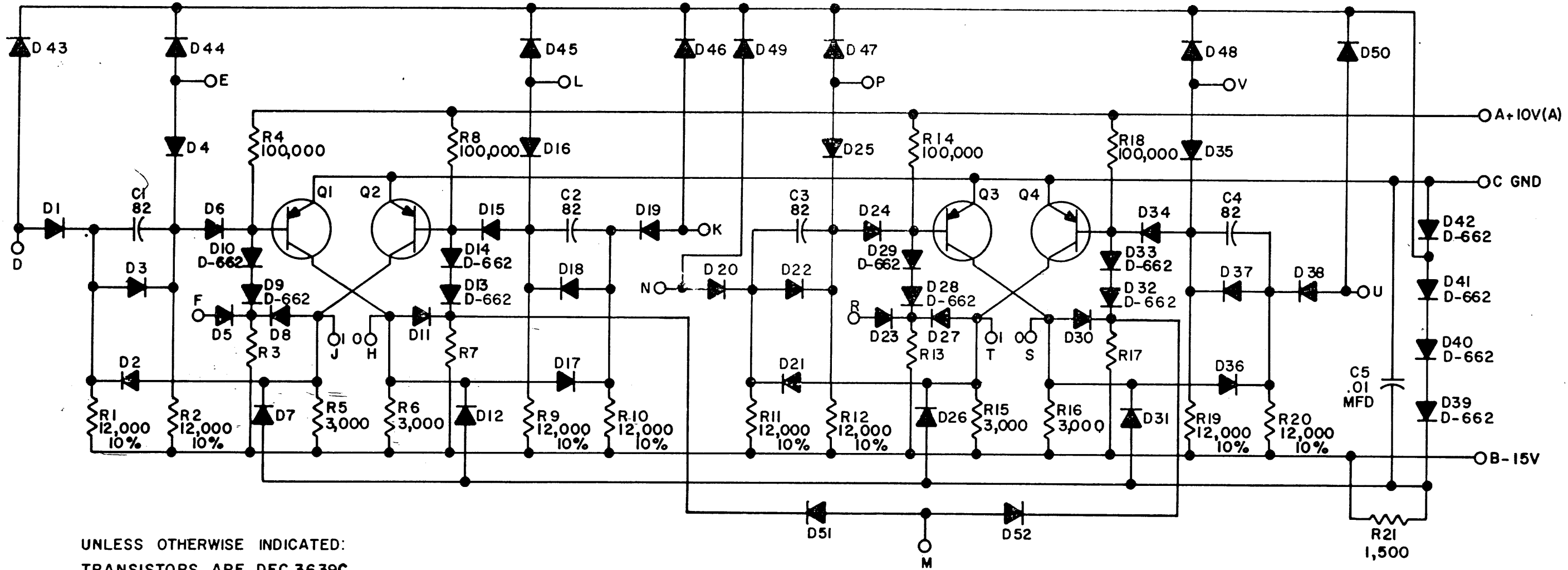




REV. D	NUMBER S202-0-1	CS	B
SIZE	CODE		

THIS SCHEMATIC IS FURNISHED ONLY FOR TEST AND MAINTENANCE PURPOSES. THE CIRCUITS ARE PROPRIETARY IN NATURE AND SHOULD BE TREATED ACCORDINGLY. COPYRIGHT 1965 BY DIGITAL EQUIPMENT CORPORATION



UNLESS OTHERWISE INDICATED:
 TRANSISTORS ARE DEC 3639C
 RESISTORS ARE 15,000
 RESISTORS ARE 1/4W, 5%
 CAPACITORS ARE MMFD
 DIODES ARE D-664

USE THE ETCH BOARD OF THE R202



REVISIONS	CHK	CHG NO.	REV.
	DAW	4994	I
	REV. & REDR.	5469	B
	REV.	6493	C
	REV.	6683	D

DRN. I. HAHN	DATE 6-15-65
CHK'D R. SIVERMAN	DATE 6-18-65
ENG. R. SOGGE	DATE 6-18-65
PROD.	DATE

TRANSISTOR & DIODE CONVERSION CHART			
DEC	EIA	DEC	EIA
DEC 3639C	2N3639		
D 662	1N645		
D 664	1N3606		

digital
 EQUIPMENT CORPORATION
 MAYNARD, MASSACHUSETTS

TITLE DUAL FLIP-FLOP S202			
SIZE B	CODE CS	NUMBER S202-0-1	REV. D
PRINTED CIRCUIT REV.			DE

