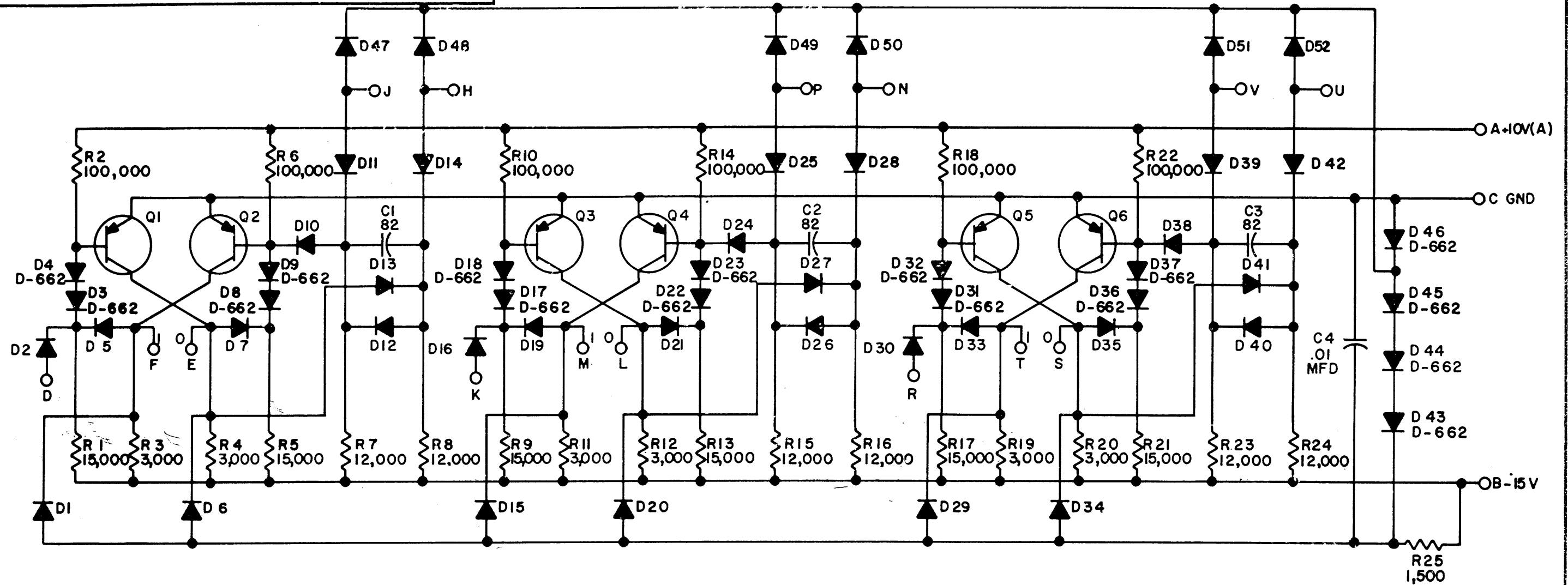


THIS SCHEMATIC IS FURNISHED ONLY FOR TEST AND MAINTENANCE PURPOSES. THE CIRCUITS ARE PROPRIETARY IN NATURE AND SHOULD BE TREATED ACCORDINGLY. COPYRIGHT 1965 BY DIGITAL EQUIPMENT CORPORATION



UNLESS OTHERWISE INDICATED:
 RESISTORS ARE 1/4W; 5%
 CAPACITORS ARE MMFD
 DIODES ARE D-664
 TRANSISTORS ARE DEC 3639C

USE THE ETCH BOARD OF THE R203



REVISIONS	CHK CHG NO. REV.	DRN. I. HAHN	DATE	TRANSISTOR & DIODE CONVERSION CHART				TITLE TRIPLE FLIP-FLOP S203			
	DAW 4990		6-11-65	DEC	EIA	DEC	EIA				
REV. BY	REV. DATE	CHK'D	DATE	DEC3639C	2N3639	digital		SIZE	CODE	NUMBER	REV.
5468	6-18-65	R. SILVERMAN	6-18-65	D662	IN645	EQUIPMENT CORPORATION		B	CS	S203-0-1	C
6494		ENG.	DATE	D664	IN3606	MAYNARD, MASSACHUSETTS		PRINTED CIRCUIT REV.	D		
		PROD.	DATE								