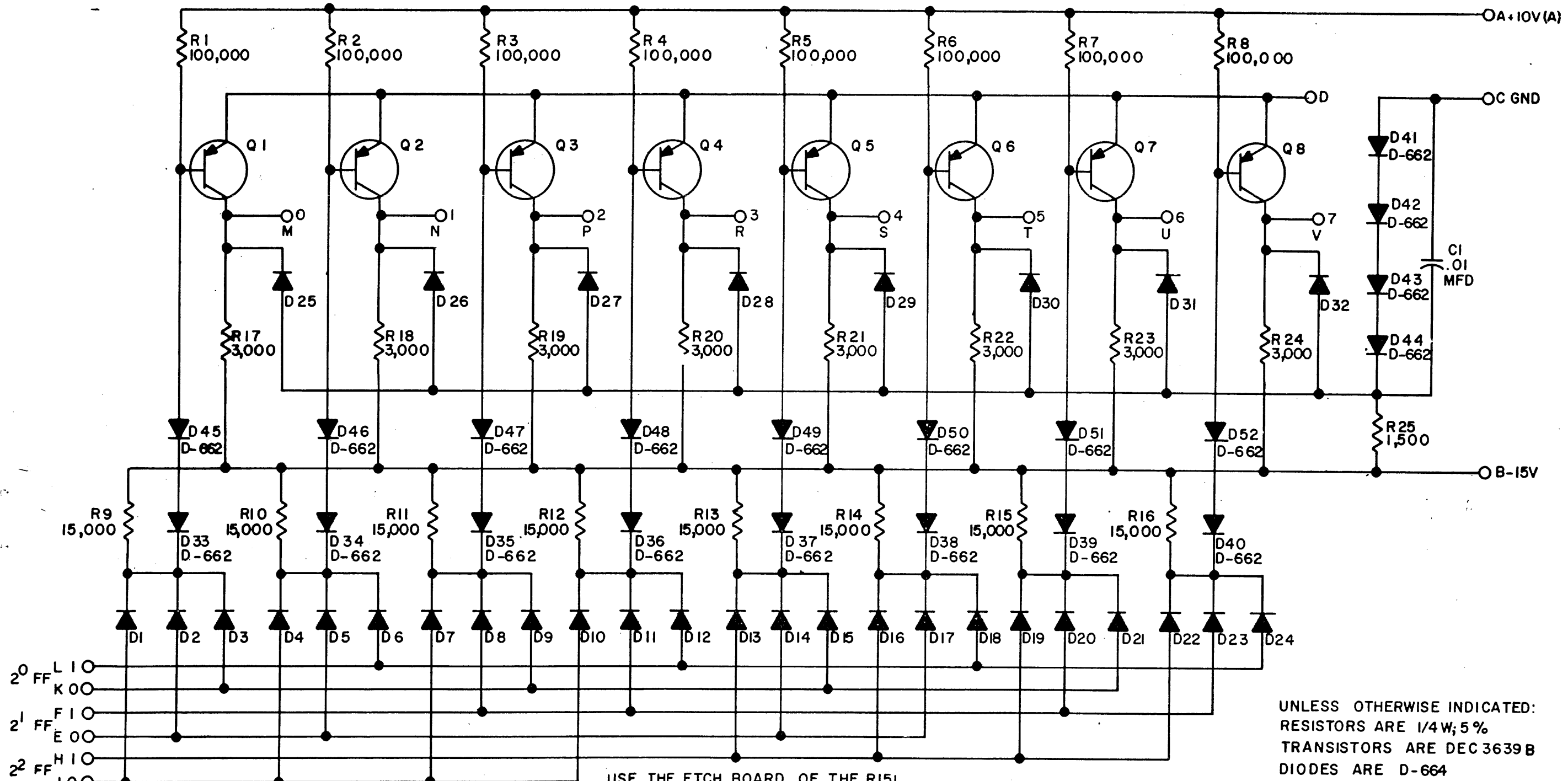




REV. C	NUMBER S151-0-1	SIZE B	CODE CS
--------	-----------------	--------	---------

THIS SCHEMATIC IS FURNISHED ONLY FOR TEST AND MAINTENANCE PURPOSES. THE CIRCUITS ARE PROPRIETARY IN NATURE AND SHOULD BE TREATED ACCORDINGLY. COPYRIGHT 1965 BY DIGITAL EQUIPMENT CORPORATION



20 FF L IO
K OO
21 FF F IO
E OO
22 FF H IO
J OO

USE THE ETCH BOARD OF THE R151

UNLESS OTHERWISE INDICATED:
RESISTORS ARE 1/4W; 5%
TRANSISTORS ARE DEC 3639B
DIODES ARE D-664

REVISIONS CHK CHG NO. REV. REV. 6 REDR B C 6808 6854	DRN. I. HAHN	DATE 6-11-65	TRANSISTOR & DIODE CONVERSION CHART DEC EIA DEC3639B 2N3639 D662 IN645 D664 IN3806		EQUIPMENT CORPORATION MAYNARD, MASSACHUSETTS	TITLE BINARY TO OCTAL DECODER S151		
	CHK'D R. SILVERMAN	DATE 6-18-65	SIZE B	CODE CS		NUMBER S151-0-1	REV. C	
	ENG. R. SOGGE	DATE 6-18-65	PRINTED CIRCUIT REV. B C D					
	PROD.	DATE	DIST. 324 434 435					

DEC FORM NO. DRB 102



PINK