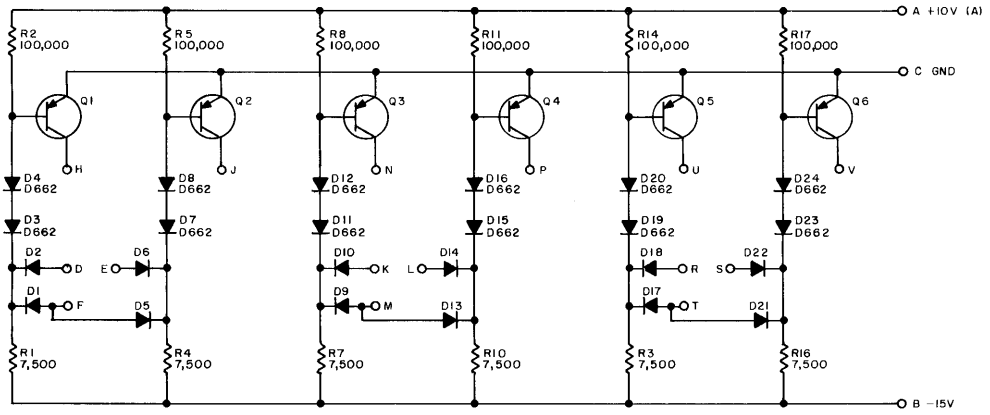
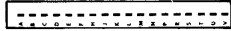


THIS SCHEMATIC IS FURNISHED ONLY FOR TEST AND MAINTENANCE PURPOSES. THE CIRCUITS ARE PROPRIETARY IN NATURE AND SHOULD BE TREATED ACCORDINGLY. COPYRIGHT 1967 BY DIGITAL EQUIPMENT CORPORATION



UNLESS OTHERWISE INDICATED:
 TRANSISTORS ARE DEC3639
 RESISTORS ARE 1/4W, 5%
 DIODES ARE D664

USE THE ETCH BOARD OF THE W101



REVISIONS
 CHK CHG NO REV

DRN. *M. Waller* DATE **6-6-67**
 CHK'D DATE
 ENG. *LLJ* DATE **2-10-67**
 PROD. *DJH* DATE **2-12-67**

| TRANSISTOR & DIODE CONVERSION CHART | | | |
|-------------------------------------|--------|-----|-----|
| DEC | EIA | DEC | FIA |
| DEC3639 | 2N3639 | | |
| D662 | 1N645 | | |
| D664 | 1N3606 | | |

digital
 EQUIPMENT CORPORATION
 MAYNARD, MASSACHUSETTS

TITLE
DIODE GATE SI23

| | | | |
|-----------|------------|--------------------|----------|
| SIZE B | CODE CS | NUMBER SI23-0-1 | REV 1 |
|-----------|------------|--------------------|----------|

PRINTED CIRCUIT REV **B**