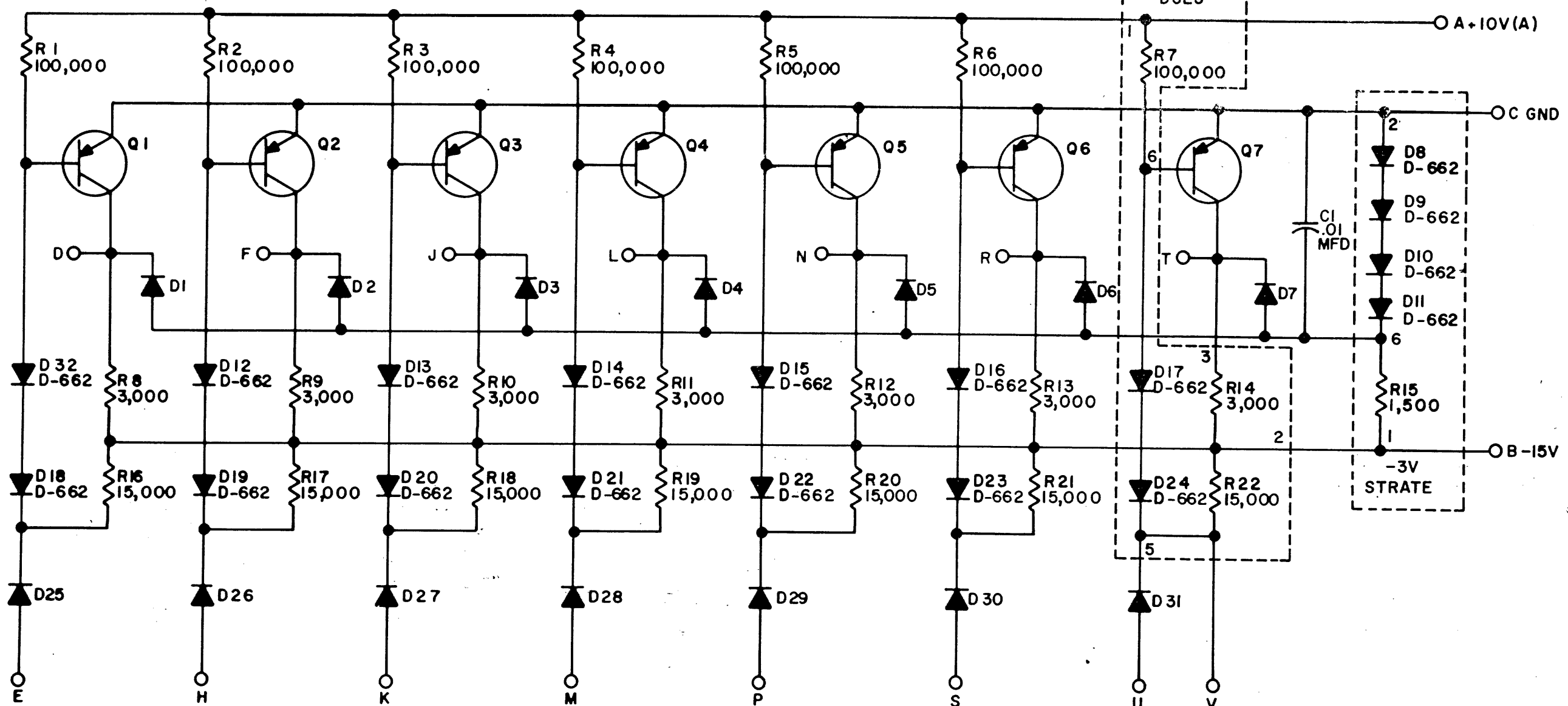


THIS SCHEMATIC IS FURNISHED ONLY FOR TEST AND MAINTENANCE PURPOSES. THE CIRCUITS ARE PROPRIETARY IN NATURE AND SHOULD BE TREATED ACCORDINGLY. COPYRIGHT 1965 BY DIGITAL EQUIPMENT CORPORATION



UNLESS OTHERWISE INDICATED:
 RESISTORS ARE 1/4W;5%
 DIODES ARE D-664
 TRANSISTORS ARE DEC 3639B
 PRINTED CIRCUIT REV. FOR
 DGL BOARD IS SIA

USE THE ETCH BOARD OF THE R107



PARTS LIST A-PL-SI07-0-0

REVISIONS CHK CHG NO. REV. REV. 5384 B 5458 C 6857 D RWD 00001 E WAKY MOLE D. BAKER J. E. D...					DRN. I HAHN DATE 6-11-65 CHK'D R SILVERMAN DATE 6-18-65 ENG. R SOGGE DATE 6-18-65 PROD. DATE		TRANSISTOR & DIODE CONVERSION CHART <table border="1"> <tr> <th>DEC</th> <th>EIA</th> <th>DEC</th> <th>EIA</th> </tr> <tr> <td>DEC 3639B</td> <td>2N3639</td> <td></td> <td></td> </tr> <tr> <td>D662</td> <td>IN645</td> <td></td> <td></td> </tr> <tr> <td>D664</td> <td>IN3606</td> <td></td> <td></td> </tr> </table>				DEC	EIA	DEC	EIA	DEC 3639B	2N3639			D662	IN645			D664	IN3606			digital EQUIPMENT CORPORATION MAYNARD, MASSACHUSETTS		TITLE INVERTER SI07	
DEC	EIA	DEC	EIA																											
DEC 3639B	2N3639																													
D662	IN645																													
D664	IN3606																													
SIZE B CODE CS NUMBER SI07-0-1 REV. E		PRINTED CIRCUIT REV. E		324 434 433																										