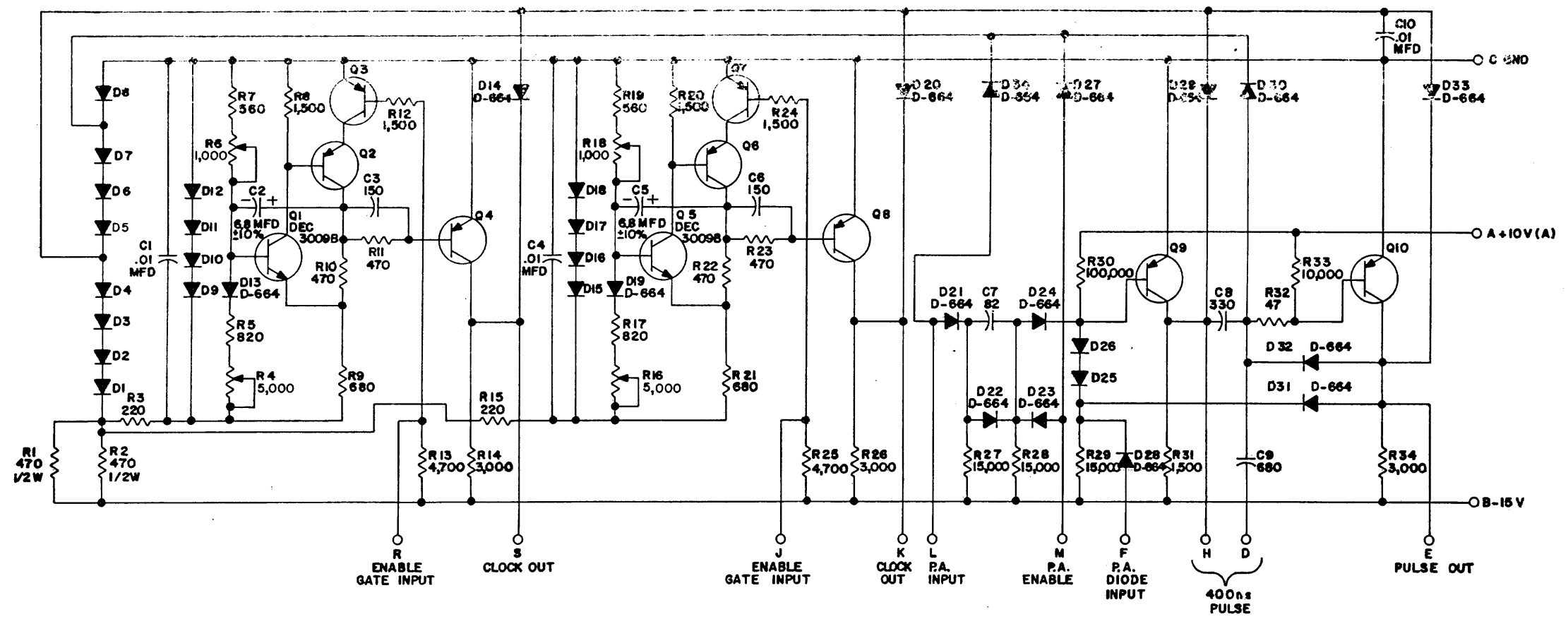


THIS SCHEMATIC IS FURNISHED ONLY FOR TEST AND MAINTENANCE PURPOSES. THE CIRCUITS ARE PROPRIETARY IN NATURE AND SHOULD BE TREATED ACCORDINGLY. COPYRIGHT 1966 BY DIGITAL EQUIPMENT CORPORATION.



UNLESS OTHERWISE INDICATED:
 TRANSISTORS ARE DEC 3639
 CAPACITORS ARE MMFD
 RESISTORS ARE 1/4W, 5%
 DIODES ARE D-662
 R4 & R16 ARE DEC1309150-04
 R6 & R18 ARE DEC1309150-03

USE THE ETCH BOARD OF THE R450

PARTS LIST IS A-PL-R451-0-0

REV. C
 NUMBER R451-0-1
 SIZE CODE C CS

REV.	CHG. NO.	CHK.
A	6186	
B	6454	
C	6001	

DRN. Mr. Walter	DATE 12-14-66
CHK'D	DATE 12/15/66
ENG. E. J. New	DATE 12/16/66
PROD.	DATE

TRANSISTOR & DIODE CONVERSION CHART			
DEC	EIA	DEC	EIA
DEC3639	2N3639		
DEC3009B	2N3009		
D662	1N645		
D664	1N3608		

digital
 EQUIPMENT CORPORATION
 MAYNARD, MASSACHUSETTS

TITLE VARIABLE CLOCK R451			REV. C
SIZE C	CODE CS	NUMBER R451-0-1	REV. C
PRINTED CIRCUIT REV.			E