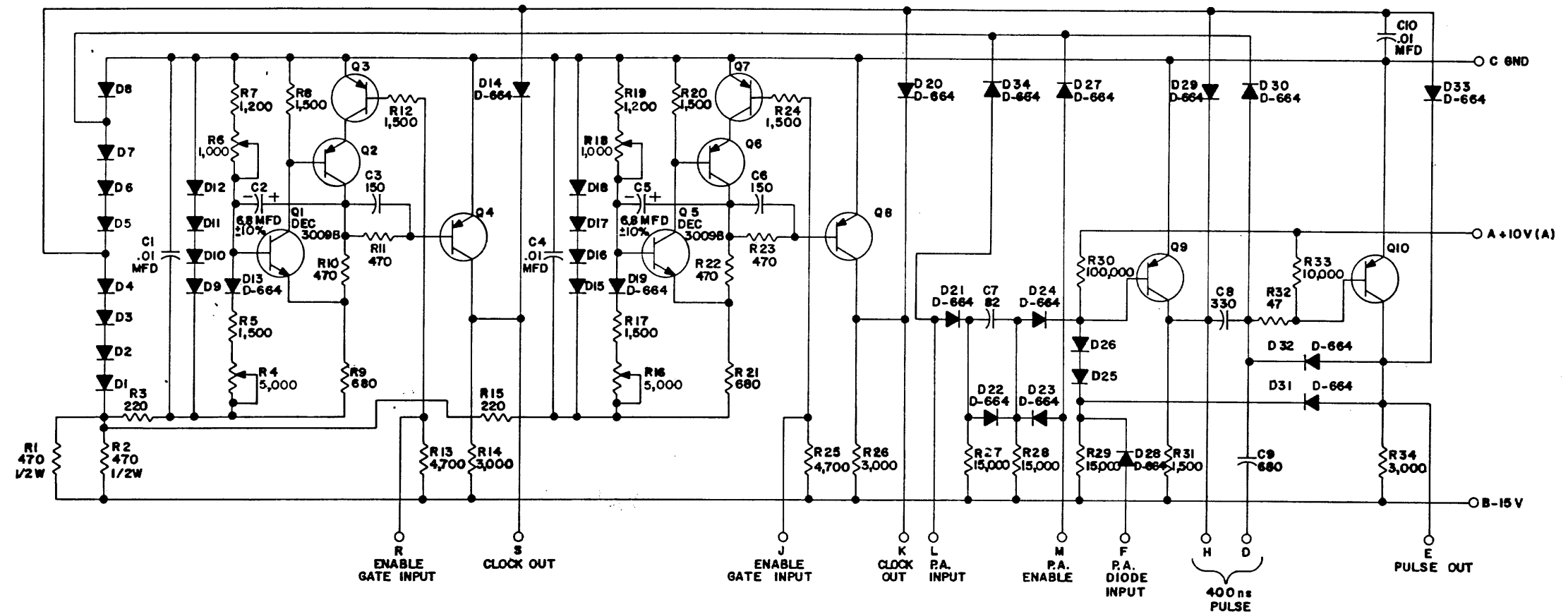


THIS SCHEMATIC IS FURNISHED ONLY FOR TEST AND MAINTENANCE PURPOSES. THE CIRCUITS ARE PROPRIETARY IN NATURE AND SHOULD BE TREATED ACCORDINGLY. COPYRIGHT 1968 BY DIGITAL EQUIPMENT CORPORATION



UNLESS OTHERWISE INDICATED:
 TRANSISTORS ARE DEC 3639
 CAPACITORS ARE MMFD.
 RESISTORS ARE 1/4W, 5%
 DIODES ARE D-662
 R4 & R16 ARE DEC 13-09150-04
 R6 & R18 ARE DEC 13-09150-03

PARTS LIST A-PL-R450-0-0

REV. H
 NUMBER R450-0-1
 SIZE CODE C CS

REVISIONS CHK CHG NO. REV. DAW 5288 3 REV'S REDR 6185 D 6435 F 00001 H		DRN. I. MANN DATE 8-19-68 CHK'D R. SILVERMAN DATE 8-13-68 ENG. R. SOGGE DATE 9-13-68 PROD.		TRANSISTOR & DIODE CONVERSION CHART <table border="1"> <tr> <td>DEC</td> <td>EIA</td> <td>DEC</td> <td>EIA</td> </tr> <tr> <td>DEC3639</td> <td>2N3639</td> <td></td> <td></td> </tr> <tr> <td>DEC3009B</td> <td>2N3009</td> <td></td> <td></td> </tr> <tr> <td>D662</td> <td>1N645</td> <td></td> <td></td> </tr> <tr> <td>D664</td> <td>1N3606</td> <td></td> <td></td> </tr> </table>				DEC	EIA	DEC	EIA	DEC3639	2N3639			DEC3009B	2N3009			D662	1N645			D664	1N3606			digital EQUIPMENT CORPORATION MAYNARD, MASSACHUSETTS		TITLE VARIABLE CLOCK R450 SIZE CODE NUMBER REV. C CS R450-0-1 H	
DEC	EIA	DEC	EIA																												
DEC3639	2N3639																														
DEC3009B	2N3009																														
D662	1N645																														
D664	1N3606																														
PRINTED CIRCUIT REV. DE						DIST 324 434 435																									

Pink