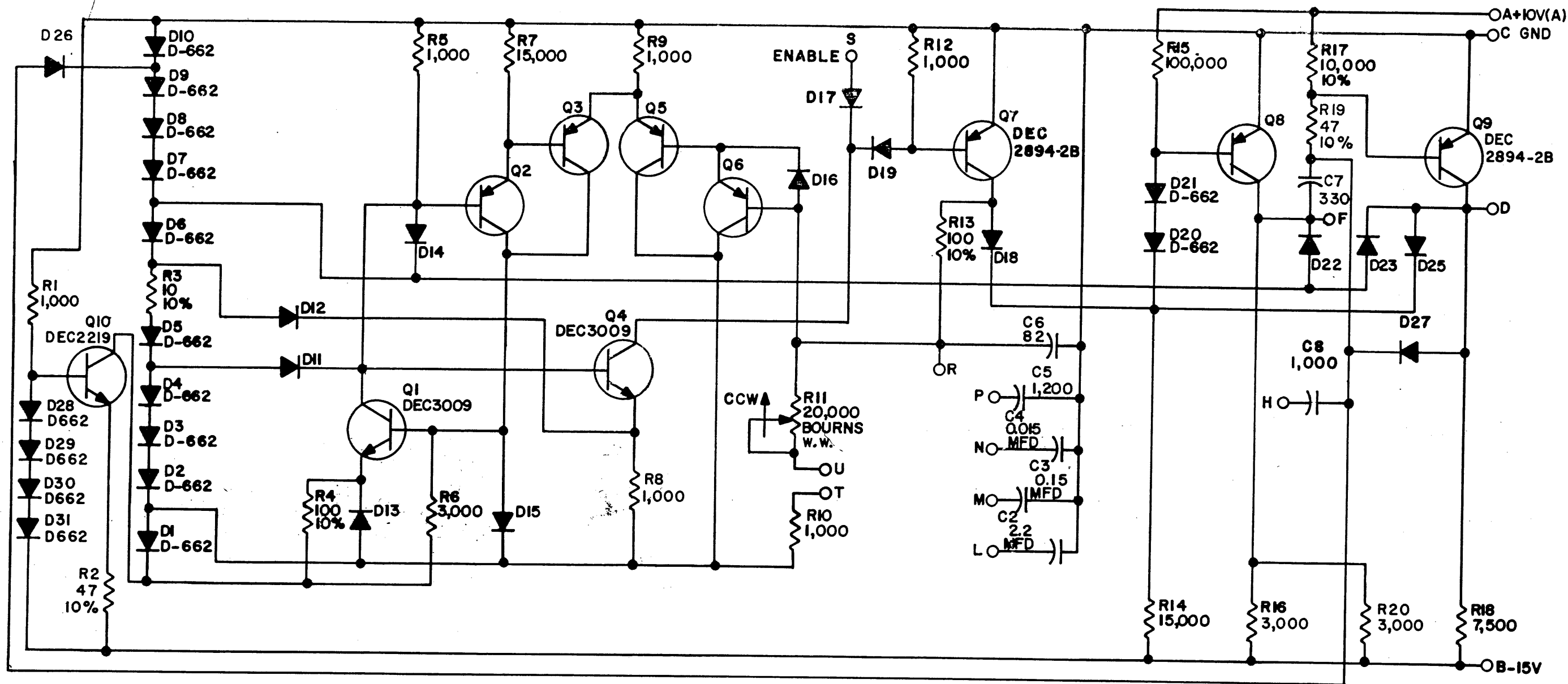


THIS SCHEMATIC IS FURNISHED ONLY FOR TEST AND MAINTENANCE PURPOSES. THE CIRCUITS ARE PROPRIETARY IN NATURE AND SHOULD BE TREATED ACCORDINGLY. COPYRIGHT 1964 BY DIGITAL EQUIPMENT CORPORATION



UNLESS OTHERWISE INDICATED:
 RESISTORS ARE 1/4W; 5%
 CAPACITORS ARE MMFD
 DIODES ARE D-664
 TRANSISTORS ARE DEC 3639-0.
 R11 IS A #275P

 A B C D E F G H I J K L M N O P Q R S T U V W X Y Z

REV. NO.	CHK	CHG	NO.	REV.
5	DAW	5355		
REV. NO.	CHK	CHG	NO.	REV.
5	REV	5905		
6004	L	M		

DRN. H.W. PORTER	DATE 10-23-64
CHK'D N. PERRYMAN	DATE 10-23-64
ENG. D.O'CONNOR	DATE 10-23-64
PROD. 2	DATE

TRANSISTOR & DIODE CONVERSION CHART			
DEC		EIA	
DEC3639-0	2N3639	DEC2219	2N2219
DEC3009	2N3009		
DEC2894-2B	NONE		
D662	1N645		
D664	1N3608		

digital
 EQUIPMENT CORPORATION
 MAYNARD, MASSACHUSETTS

TITLE CLOCK R401			
SIZE B	CODE CS	NUMBER R401-0-1	REV. M
PRINTED CIRCUIT REV.			H