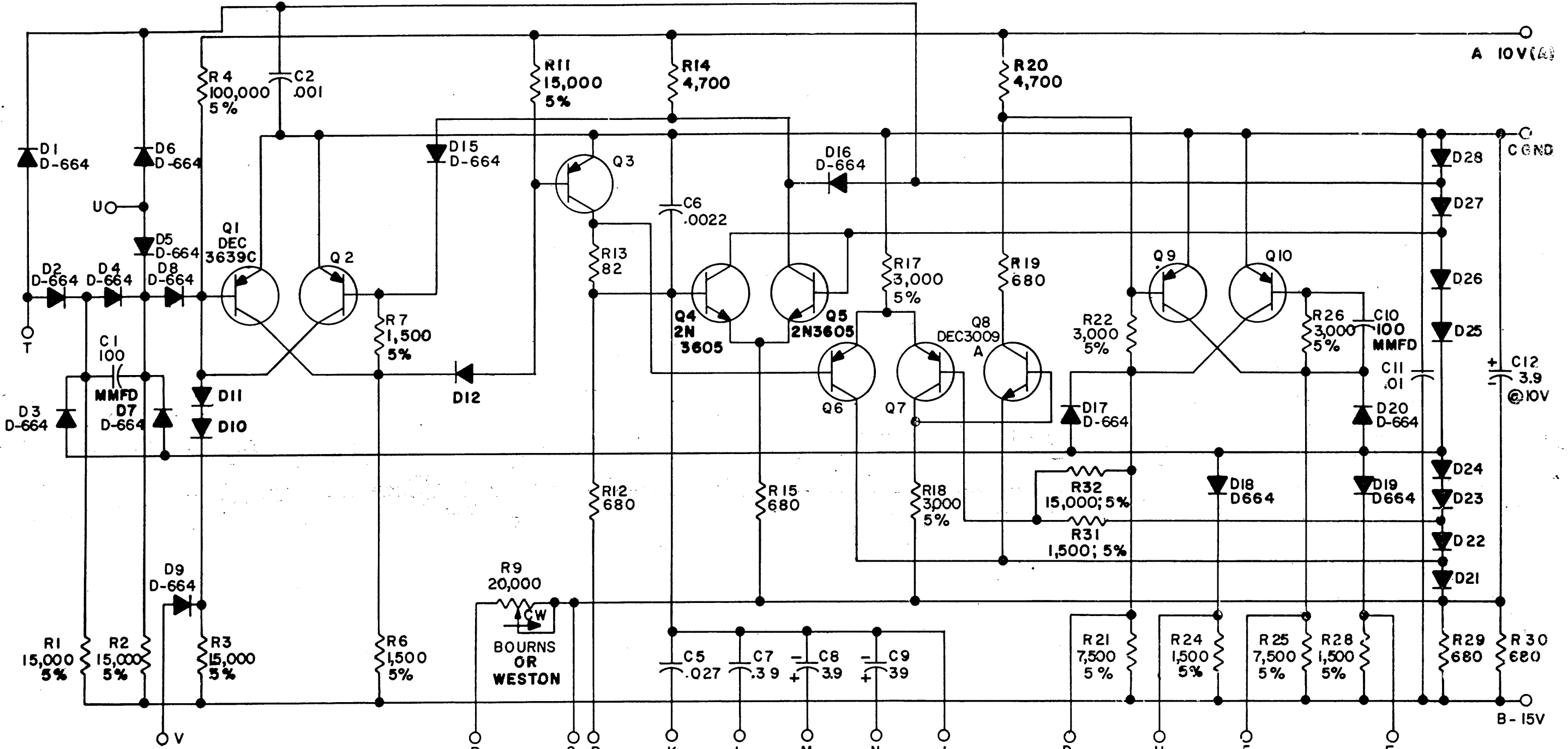


THIS SCHEMATIC IS FURNISHED ONLY FOR TEST AND MAINTENANCE PURPOSES. THE CIRCUITS ARE PROPRIETARY IN NATURE AND SHOULD BE TREATED ACCORDINGLY. COPYRIGHT 1965 BY DIGITAL EQUIPMENT CORPORATION



UNLESS OTHERWISE INDICATED: CAPS. ARE MFD
 RESISTORS ARE 1/4W, 10% R9 IS A 275P
 DIODES ARE D-662,
 TRANSISTORS ARE DEC 3639B PARTS LIST A-PL-R303-0-0



REV. NO.	CHK	CHG NO.	REV.
2	DAW	5021	
0	REV. & REDN.	5228	
D	REV.	6096	
E	REV.	6173	
F	REV.	6500	
H	REV.	6669	
J	REV.	6767	
K	REV.	6897	

DRN. L. HAHN	DATE 4-5-65
CHK'D R. SILVERMAN	DATE 4-16-65
ENG. R. DOANE	DATE 4-16-65
PROD.	DATE

TRANSISTOR & DIODE CONVERSION CHART			
DEC		EIA	
DEC3639B	2N3639	DEC3639C	2N3639
DEC3009	2N3009		
2N3605	2N3605		
D662	1N645		
D664	1N3606		

digital
 EQUIPMENT CORPORATION
 MAYNARD, MASSACHUSETTS

TITLE INTEGRATING ONE-SHOT R303			
SIZE B	CODE CS	NUMBER R303-0-1	REV. K
PRINTED CIRCUIT REV.			D