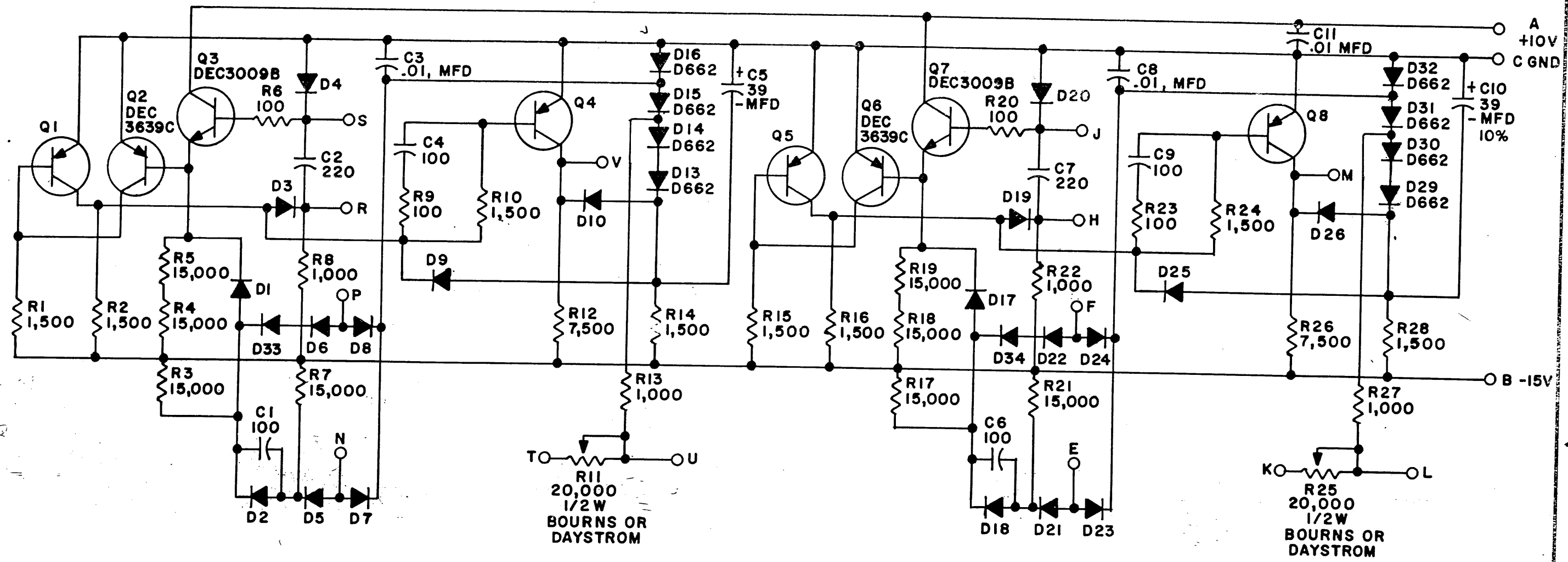


THIS SCHEMATIC IS FURNISHED ONLY FOR TEST AND MAINTENANCE PURPOSES. THE CIRCUITS ARE PROPRIETARY IN NATURE AND SHOULD BE TREATED ACCORDINGLY. COPYRIGHT 1964 BY DIGITAL EQUIPMENT CORPORATION



UNLESS OTHERWISE INDICATED:
 RESISTORS ARE 1/4W; 5%
 CAPACITORS ARE MMFD
 DIODES ARE D664
 TRANSISTORS ARE DEC3639

 < A B C D E F G H I J K L M N O P Q R S T U >

PARTS LIST A-PL-R302-0-0

REVISIONS	CHK	CHG NO.	REV.	L	M	N	P	R	S	T	U	DRN. A. OUELLETTE	DATE 6-12-64	TRANSISTOR & DIODE CONVERSION CHART				TITLE DELAY R302			
	DAW	4856	7											DEC	EIA	DEC	EIA		SIZE B	CODE CS	NUMBER R302-0-1
	REV	5538	L									ENG. R. BANK	DATE 6-17-64	DEC3639	2N3639						
	REV	5975	M									PROD.	DATE	D662	IN645						
	REV	6499	N											D664	IN3606						
	REV	6696	P											DEC3639C	2N3639						
	REV	6749	R																		
	REV	00001	S																		
	REV	00002	T																		
	REV	00002	U																		