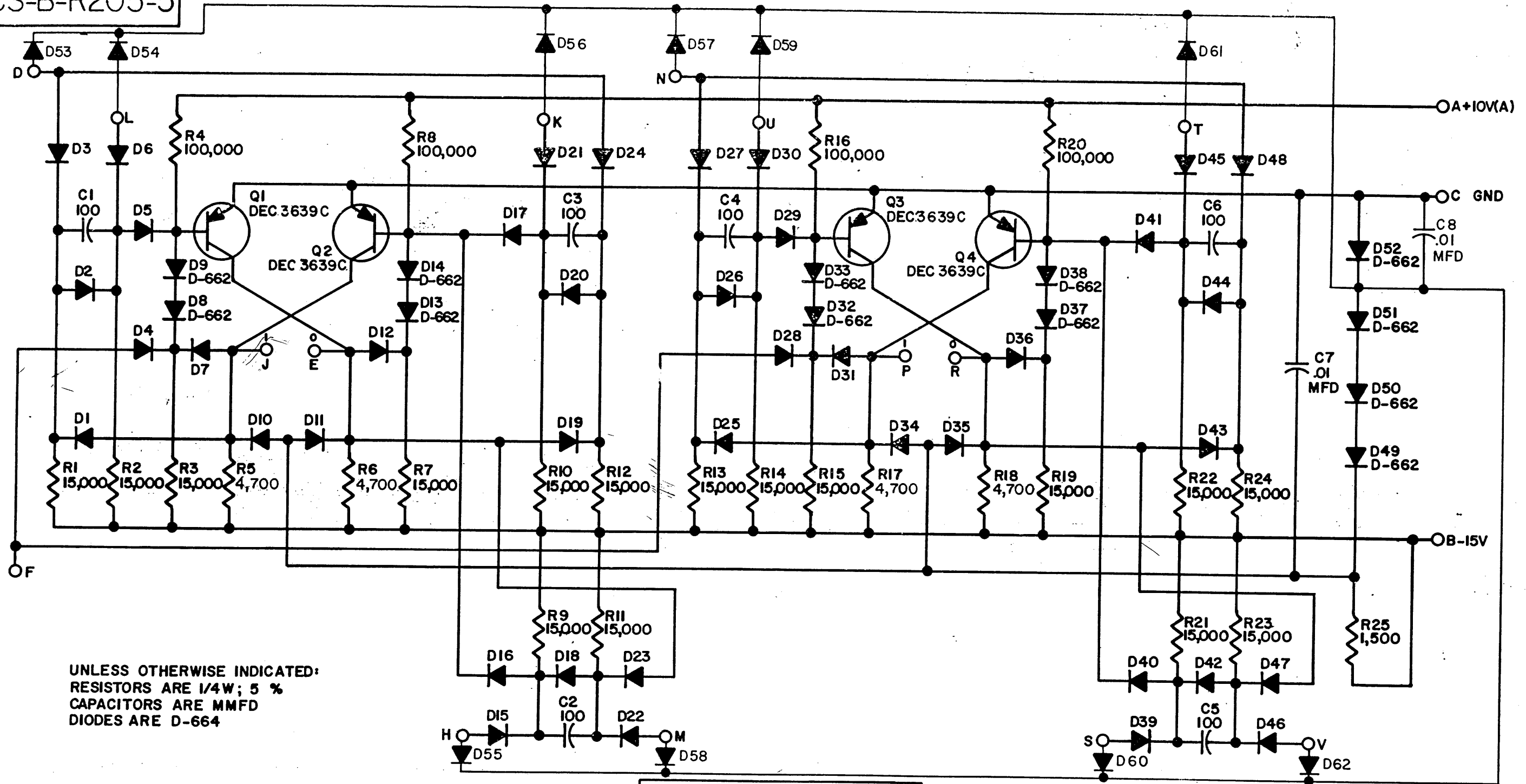


CS-B-R205-5



UNLESS OTHERWISE INDICATED:
 RESISTORS ARE 1/4W; 5 %
 CAPACITORS ARE MMFD
 DIODES ARE D-664



| | | | | | | | | | | | | | |
|--------|--------|--------|--------|--------|--------|----------|-----------|---|---|--|------------|--------------------|-----------|
| 6551-5 | 6332-4 | 4913-3 | 4850-2 | 4843 / | 4514-1 | ECO. NO. | REVISIONS | DRAFTSMAN H.W. PORTER DATE 9-9-64 | CHECKER <i>M. ...</i> DATE 10-15-64 | digital EQUIPMENT CORPORATION MAYNARD, MASSACHUSETTS | CODE CS | DWG. NO. B-R205 | REV. 5 |
| | | | | | | ENG. | | ENGINEER | PRODUCTION | TITLE DUAL FLIP-FLOP R205 | | | |
| | | | | | | | | DATE | DATE | | | | |