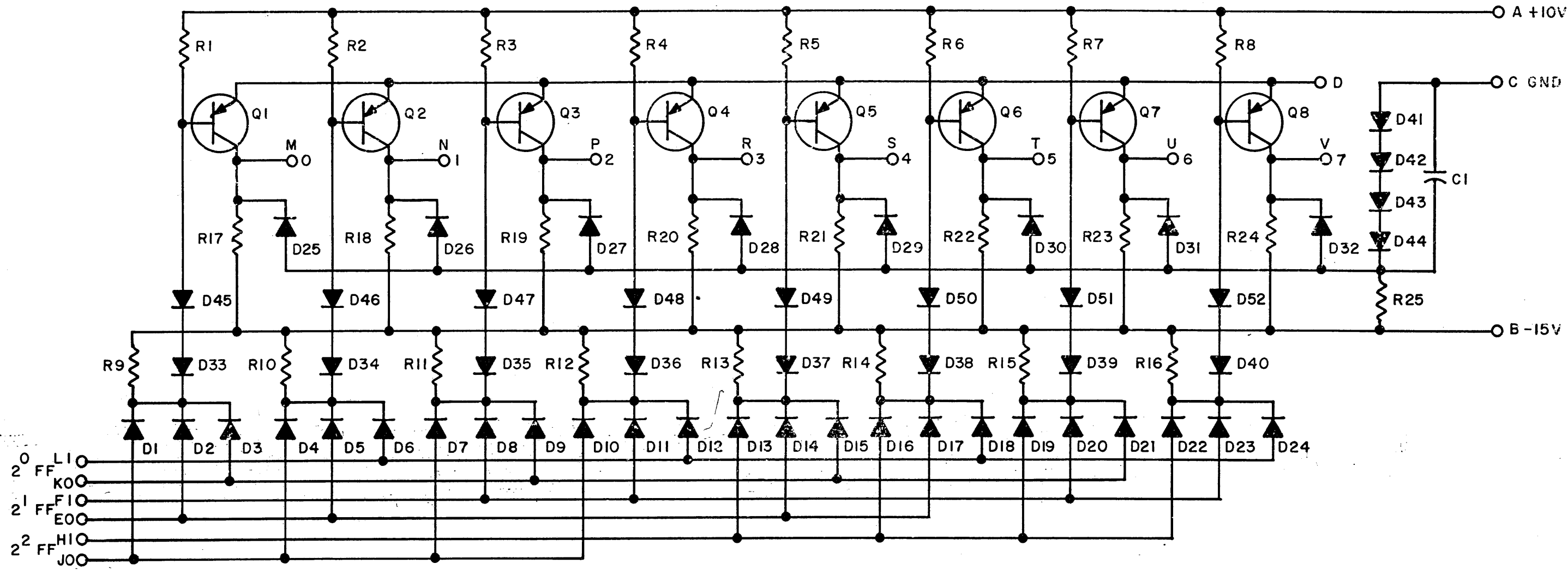


THIS SCHEMATIC IS FURNISHED ONLY FOR TEST AND MAINTENANCE PURPOSES. THE CIRCUITS ARE PROPRIETARY IN NATURE AND SHOULD BE TREATED ACCORDINGLY. COPYRIGHT 1964 BY DIGITAL EQUIPMENT CORPORATION



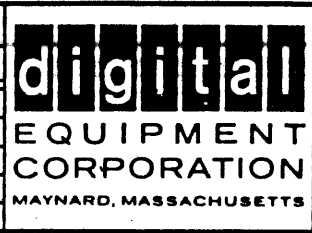
Q1 THRU Q8	TRANSISTOR DEC3639B	1502762
R25	RES. 1.5K 1/4W 5% CC	1300391
R17 THRU R24	RES. 7.5K 1/4W 5% CC	1301422
R9 THRU R16	RES. 15K 1/4W 5% CC	1300496
R1 THRU R8	RES. 100K 1/4W 5% CC	1302466
D33 THRU D52	DIODE D662	1100113
D1 THRU D32	DIODE D664	1100114
C1	CAP. .01 MFD 50V -0 +20% DISC	1000001
	PARTS LIST	A-PL-R151-0-0
REFERENCE DESIGNATION	DESCRIPTION	PART NO.



REVISIONS	CHK CHG NO. REV.	3
	RMS	6545
	REV. & REDR.	E
	REV. NO.	6856

DRN.	A.OUELLETTE	DATE	9-1-64
CHK'D	N. PERRYMAN	DATE	9-15-64
ENG.	D.A.WHITE	DATE	9-15-64
PROD.		DATE	

TRANSISTOR & DIODE CONVERSION CHART			
DEC	EIA	DEC	EIA
DEC3639B	2N3639		
D662	IN645		
D664	IN3606		



TITLE				BINARY TO OCTAL DECODER R151			
SIZE	CODE	NUMBER		REV.			
B	CS	R151-0-1		E			
PRINTED CIRCUIT REV.				D			