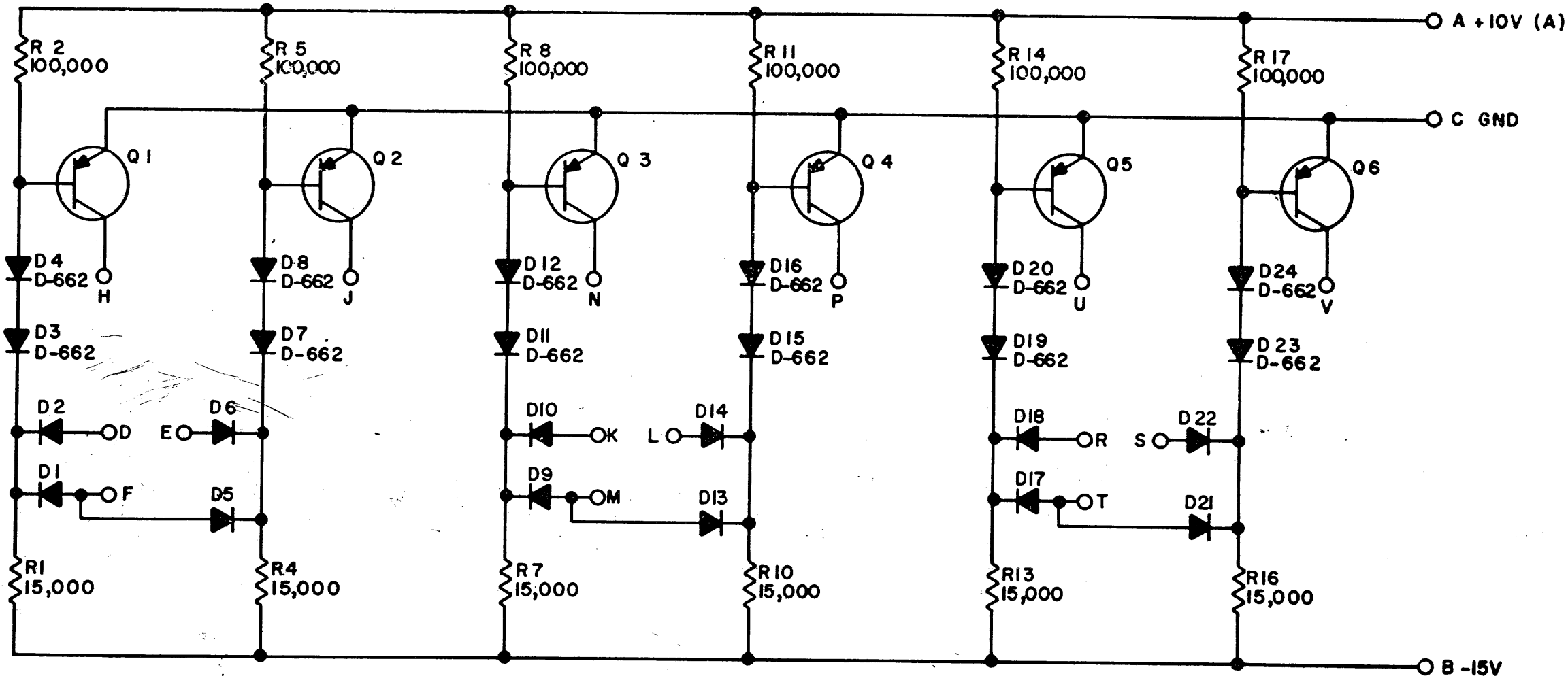


THIS SCHEMATIC IS FURNISHED ONLY FOR TEST AND MAINTENANCE PURPOSES. THE CIRCUITS ARE PROPRIETARY IN NATURE AND SHOULD BE TREATED ACCORDINGLY. COPYRIGHT 1965 BY DIGITAL EQUIPMENT CORPORATION



UNLESS OTHERWISE INDICATED:
 TRANSISTORS ARE DEC 3639
 RESISTORS ARE 1/4 W, 5%
 DIODES ARE D-664

USE THE ETCH BOARD OF W101



REVISIONS CHK CHG NO. REV. DAW 4864 1 REV. B REDR. R123 5644 B R123 5676	DRN. I. HAHN DATE 4-20-65	TRANSISTOR & DIODE CONVERSION CHART				digital EQUIPMENT CORPORATION MAYNARD, MASSACHUSETTS	TITLE DIODE GATE R123			REV. B
	CHK'D R. SILVERMAN DATE 4-21-65	DEC DEC 3639	EIA 2N3639	DEC 	EIA 		SIZE B	CODE CS	NUMBER R123-0-1	
	ENG. E. DECASTRO DATE 4-21-65	DEC D662	EIA 1N645	DEC 	EIA 		PRINTED CIRCUIT REV.			
	PROD. DATE	DEC D664	EIA 1N3606	DEC 	EIA 		B			