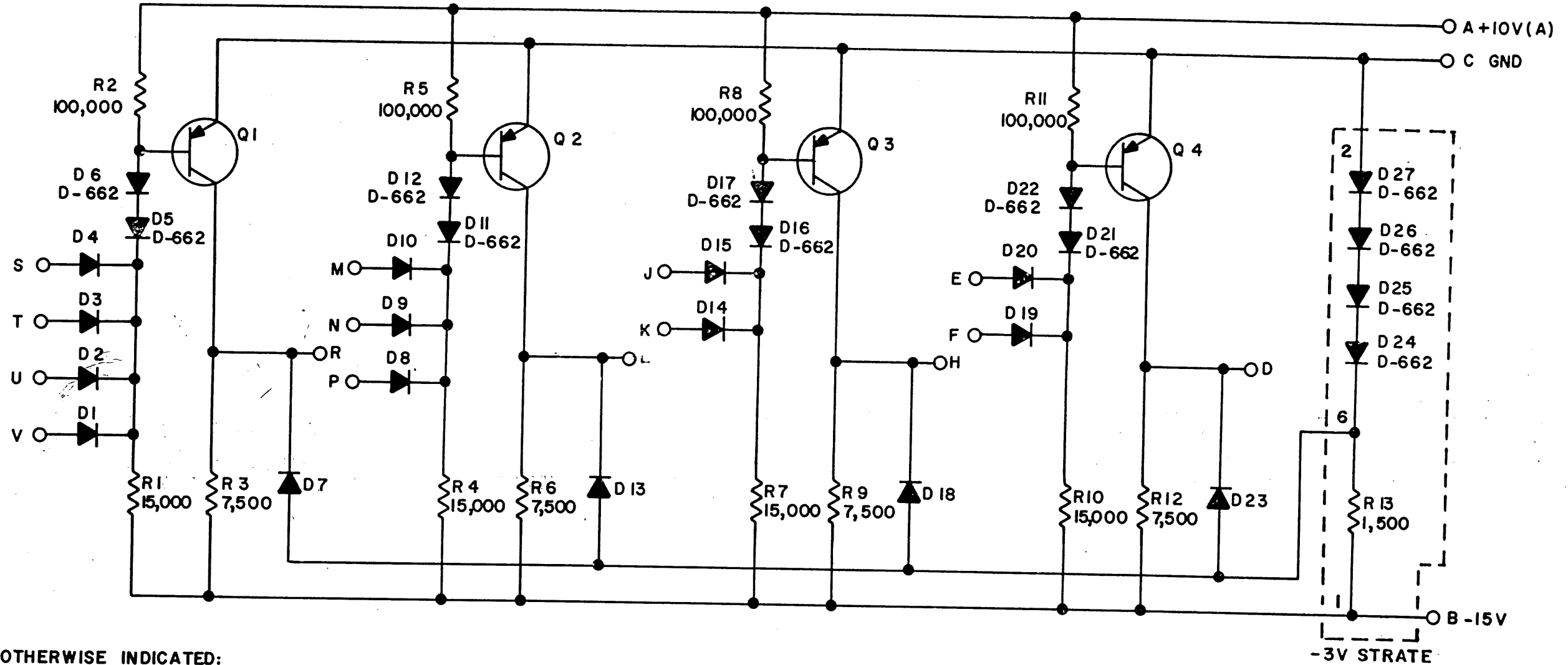


THIS SCHEMATIC IS FURNISHED ONLY FOR 1L5T AND MAINTENANCE PURPOSES. THE CIRCUITS ARE PROPRIETARY IN NATURE AND SHOULD BE TREATED ACCORDINGLY. COPYRIGHT 1965 BY DIGITAL EQUIPMENT CORPORATION



UNLESS OTHERWISE INDICATED:
 TRANSISTORS ARE DEC 3639B
 DIODES ARE D-664
 RESISTORS ARE 1/4 W, 5%



REVISIONS CHG NO. REV. REV. 6541 A	DRN. I. HAHN	DATE 3-26-65	TRANSISTOR & DIODE CONVERSION CHART				digital EQUIPMENT CORPORATION MAYNARD, MASSACHUSETTS	TITLE NAND GATE R121			
	CHK'D N. PERRYMAN	DATE 3-30-65	DEC	EIA	DEC	EIA		SIZE B	CODE CS	NUMBER R121-0-1	REV. A
	ENG. R. DOANE	DATE 3-30-65	DEC3639B	2N3639				PRINTED CIRCUIT REV. AB			
	PROD.	DATE	D662	IN645							