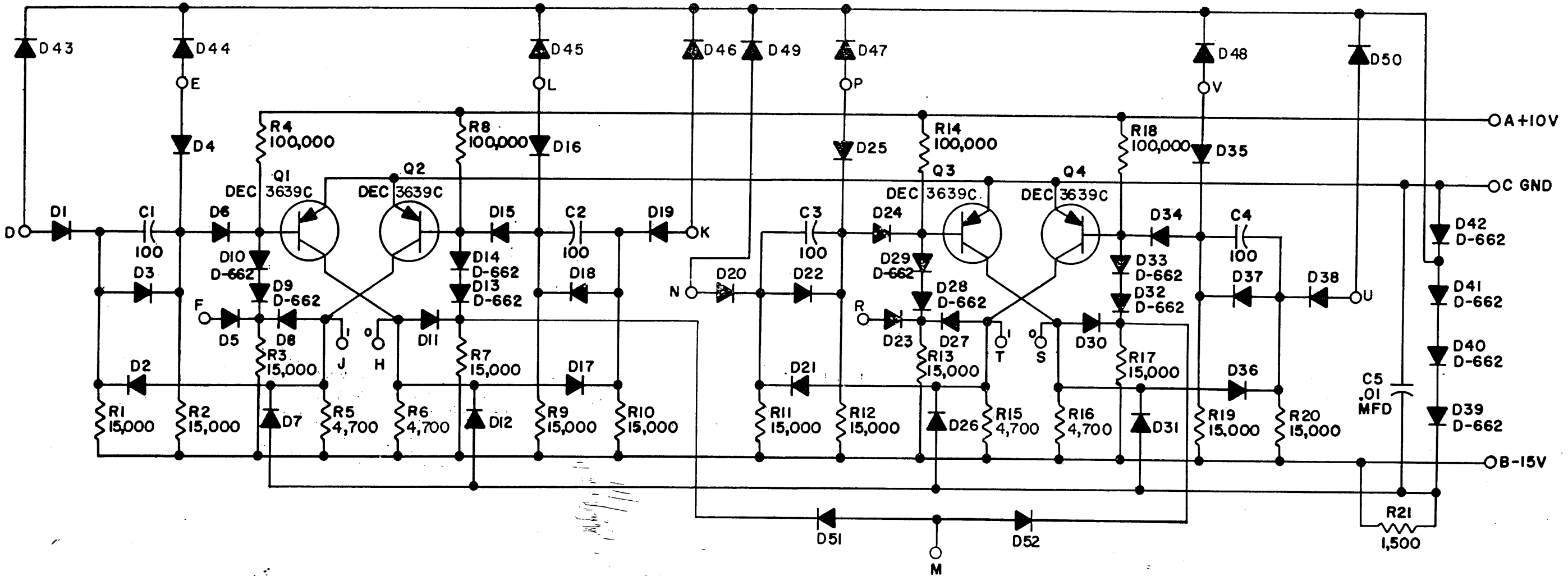


THIS SCHEMATIC IS FURNISHED ONLY FOR TEST AND MAINTENANCE PURPOSES. THE CIRCUITS ARE PROPRIETARY IN NATURE AND SHOULD BE TREATED ACCORDINGLY. COPYRIGHT 1964 BY DIGITAL EQUIPMENT CORPORATION



UNLESS OTHERWISE INDICATED:
RESISTORS ARE 1/4W, 5%
CAPACITORS ARE MMFD
DIODES ARE D-664

A B C D E F G H I J K L M N O P Q R S T U V W X Y Z

REVISIONS CHG NO. REV. 4 RMS 6330 REV. REDR. 6549 F	DRN. A.OUELLETTE DATE 6-16-64	TRANSISTOR & DIODE CONVERSION CHART				digital EQUIPMENT CORPORATION MAYNARD, MASSACHUSETTS	TITLE DUAL FLIP FLOP R202			
	CHK'D N.PERRYMAN DATE 6-16-64	DEC EIA DEC FIA	SIZE CODE NUMBER REV. B CS R202-0-1 F							
	ENG. R.BANK DATE 6-22-64	DEC3639C 2N3639 D662 IN645 D664 IN3606	PRINTED CIRCUIT REV. DE							
	PROD. DATE									