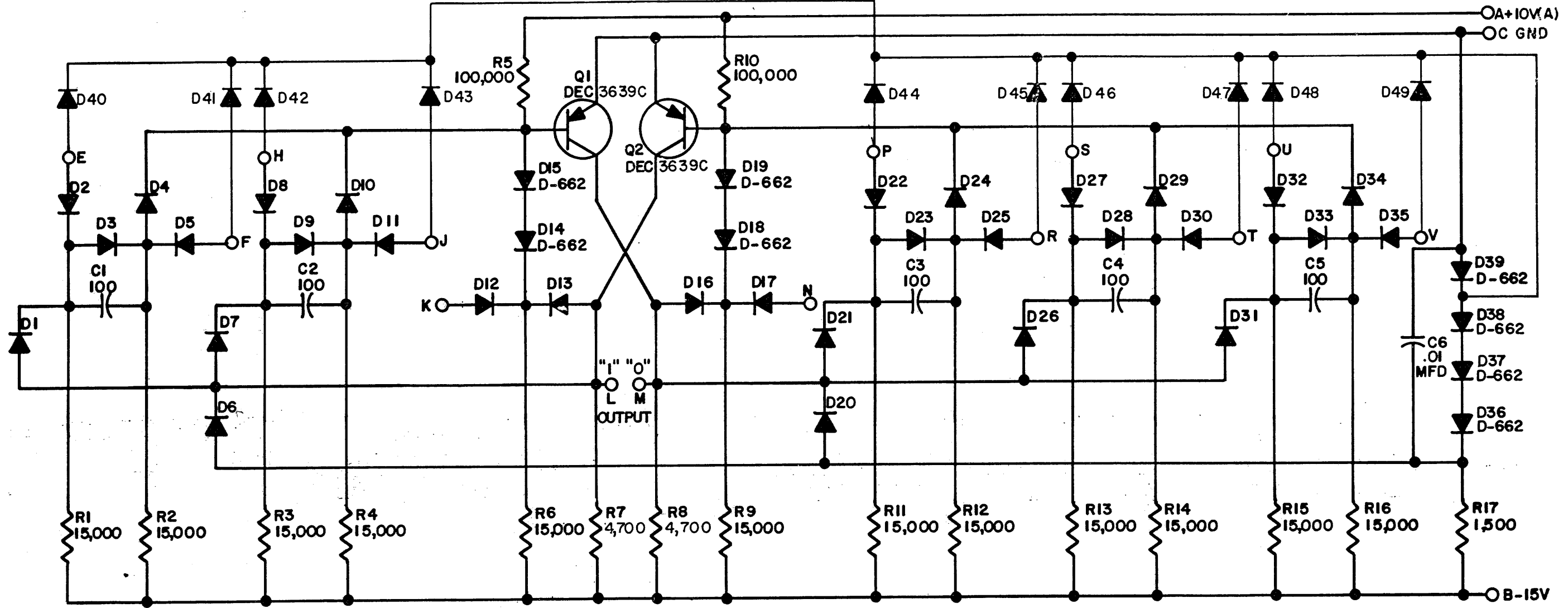


THIS SCHEMATIC IS FURNISHED ONLY FOR TEST AND MAINTENANCE PURPOSES. THE CIRCUITS ARE PROPRIETARY IN NATURE AND SHOULD BE TREATED ACCORDINGLY. COPYRIGHT 1964 BY DIGITAL EQUIPMENT CORPORATION



UNLESS OTHERWISE INDICATED:  
RESISTORS ARE 1/4W; 5%  
CAPACITORS ARE MMFD  
DIODES ARE D-664

-----  
A B C D E F G H I J K L M N O P Q R S T U V W X Y Z

REVISIONS	CHK	CHG NO.	REV.
	RMS	6329	3
	REV. & REDR.	6548	D

DRN. H.W. PORTER	DATE 5-19-64
CHK'D N. PERRYMAN	DATE 5-25-64
ENG. R. BANK	DATE 5-25-64
PROD.	DATE

TRANSISTOR & DIODE CONVERSION CHART			
DEC	EIA	DEC	EIA
DEC3639C	2N3639		

**digital**  
EQUIPMENT CORPORATION  
MAYNARD, MASSACHUSETTS

TITLE FLIP-FLOP R201			
SIZE B	CODE CS	NUMBER R201-0-1	REV. D
PRINTED CIRCUIT REV.			C D