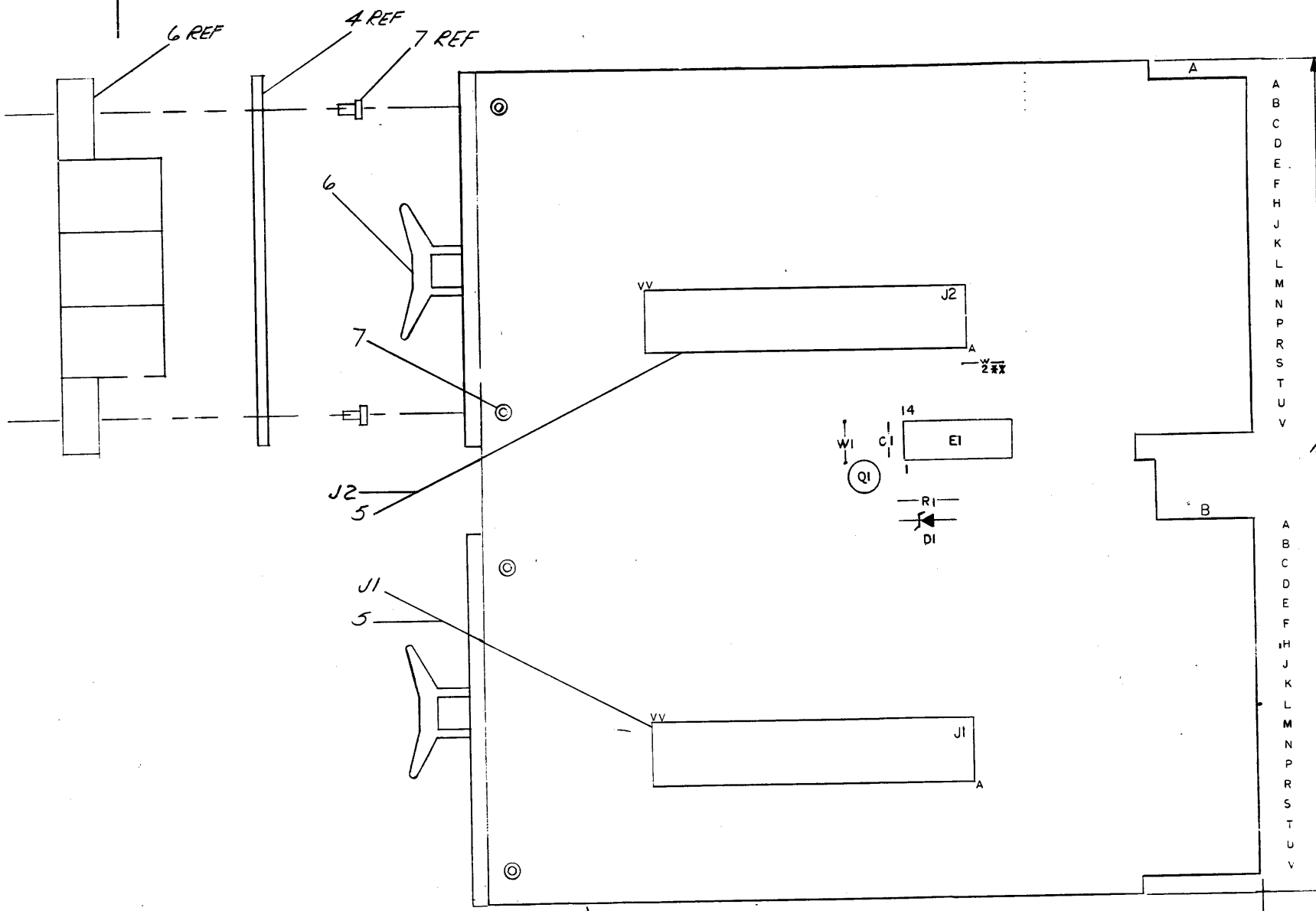


This drawing and specifications, herein, are the property of Digital Equipment Corporation and shall not be reproduced or copied or used in whole or in part as the basis for the manufacture or sale of items without written permission.

**NOTES:**

\* NOTE: IF IC 7384 IS NOT AVAILABLE, IC 5384 MAY BE USED.  
 \*\*ON YB VARIATION, ONLY W2 IS INSTALLED.



YB	YA	QTY	REF DESIGNATION	DESCRIPTION	PART NO.	ITEM NO.
1	2	-	W1, W2	JUMPER**	8009185	13
1	-	1	CI	CAP. .01MFD 100V 20%	1001610-01	12
1	-	1	RI	RES. 470 1/4W 5%	1300316	11
1	-	1	Q1	6534B TRANSISTOR	153409-1	10
1	-	1	DI	ZENER DIODE 1N748A	1100122	9
1	-	1	EI	IC 7384 *	1310393	8
4	4	4		EYELET, GS#4-7 EB. STIMPSON	9006732	7
2	2	2		HANDLE, FLIP-CHIP, MAGENTA	9008337-06	6
2	2	2	J1, J2	CONN. 3M (40 PINS)	1210073-0	5
1	1	1		ETCHED CIRCUIT BOARD	5010178	4
REF	REF	REF		MODULE ECO HISTORY	B-MH-M993-0-6.3	3
REF	REF	REF		ASSY/DRILLING HOLE LAYOUT	D-AH-M993-0-5.2	2
REF	REF	REF		X-Y COORDINATE HOLE LOCATION	K-CO-M993-0-1	1

IC TYPE	GND	+5V
7384	1	8

GND AND 5V ARE USUALLY PIN 7 AND 14 RESPECTIVELY. EXCEPTIONS ARE STATED ABOVE.

**IC PIN LOCATIONS**

FIRST USED ON OPTION MODEL: RK8-E

ETCH BOARD REV: C

REVISIONS:

CHK	CHANGE NO.	REV	REVISIONS

DRN: axibnt DATE: 2/8/72  
 CHKD: DATE: 2/8/72  
 ENG: DATE: 2/8/72  
 PRD. ENG: DATE: 2/8/72  
 PROD. R. E. DUB. DATE: 10-13-72

NEXT HIGHER ASSY: D-AH-7009026-0

SCALE: NONE

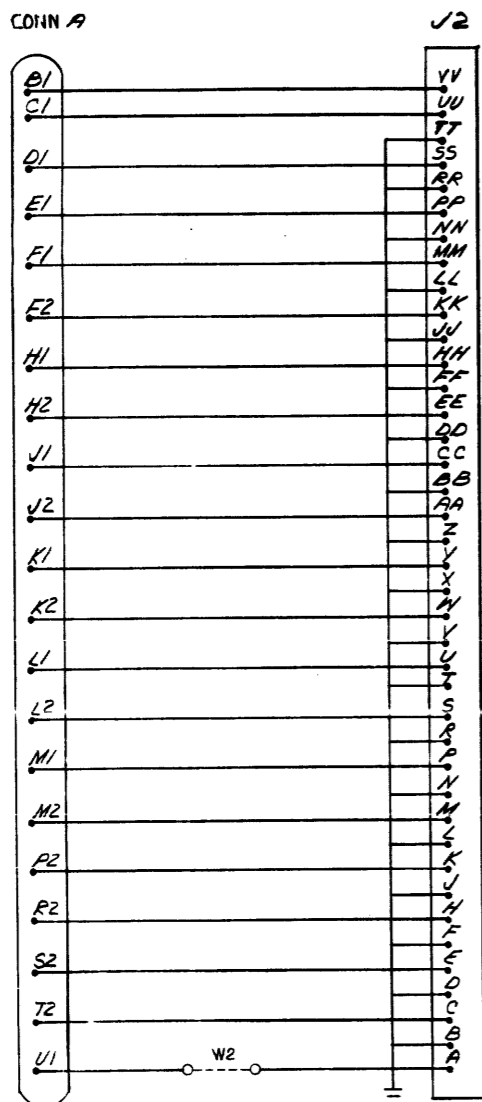
SHEET: 2 OF 3

**digital EQUIPMENT CORPORATION**  
 MAYNARD, MASSACHUSETTS

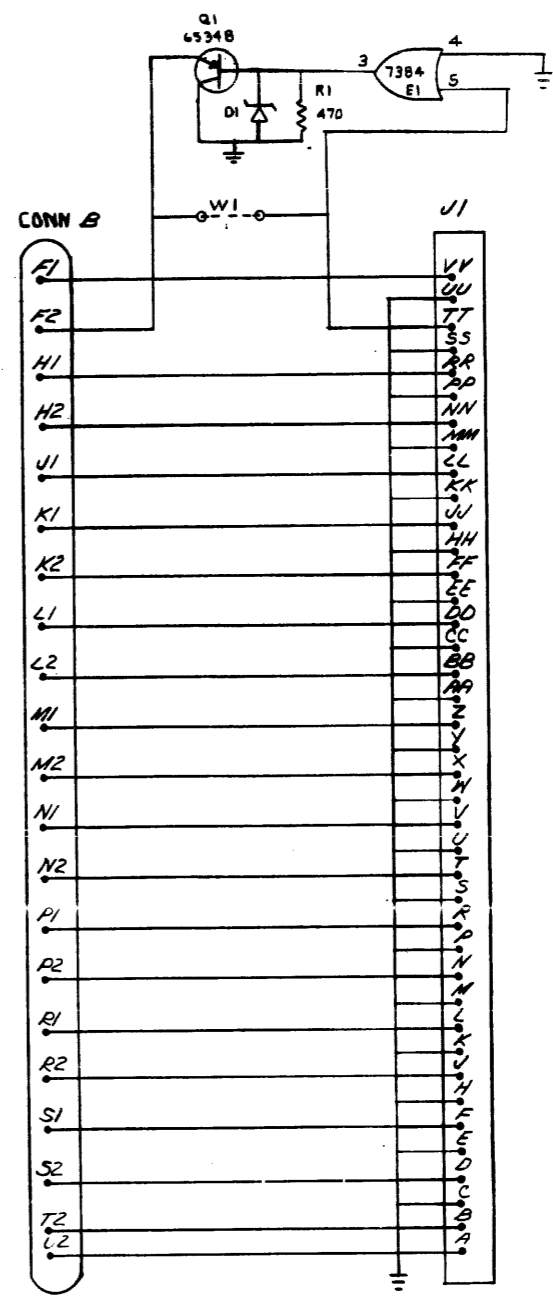
**RK8-E CONTROL CABLE MODULE**

SIZE CODE: D CS M993-0-1  
 NUMBER: 1  
 REV. NO.: C

The drawing and specifications, herein, are the property of Digital Equipment Corporation and shall not be reproduced or copied or used in whole or in part as the basis for the manufacture or sale of items without written permission.



ALL UNUSED PINS ARE GROUNDED EXCEPT FOR PINS AA2, AB2, AM2 AND BB2. BA2 IS +5V.



REV	
CHG	
CHK	
REVISIONS	
CHANGE NO	

FIRST USED ON OPTION/MODEL	QTY.	DESCRIPTION	PART NO.	ITEM NO.
RK8-E				
PARTS LIST				
UNLESS OTHERWISE SPECIFIED DIMENSION IN INCHES TOLERANCES	DRN <i>M. Quinn</i>	DATE 8/1/72	<b>digital EQUIPMENT CORPORATION</b> MAYNARD MASSACHUSETTS	
DECIMALS .XXX = .005 .XX = .02 .X = .1	CHK'D <i>[Signature]</i>	DATE 11/1/72		
ANGLES ±0° 30'	ENG <i>[Signature]</i>	DATE 11/1/72	TITLE <b>RK8-E CONTROL CABLE MODULE</b>	
REMOVE BURRS AND BREAK SHARP CORNERS SURFACE QUALITY ✓	PROD. <i>[Signature]</i>	DATE 12-3-72		
MATERIAL + / +	NEXT HIGHER ASSY.		SIZE CODE D-AD-7009026-0-0	NUMBER DCS M993-Ø-1
FINISH + / +	SCALE + / +			REV. D
	SHEET 3 OF 3			