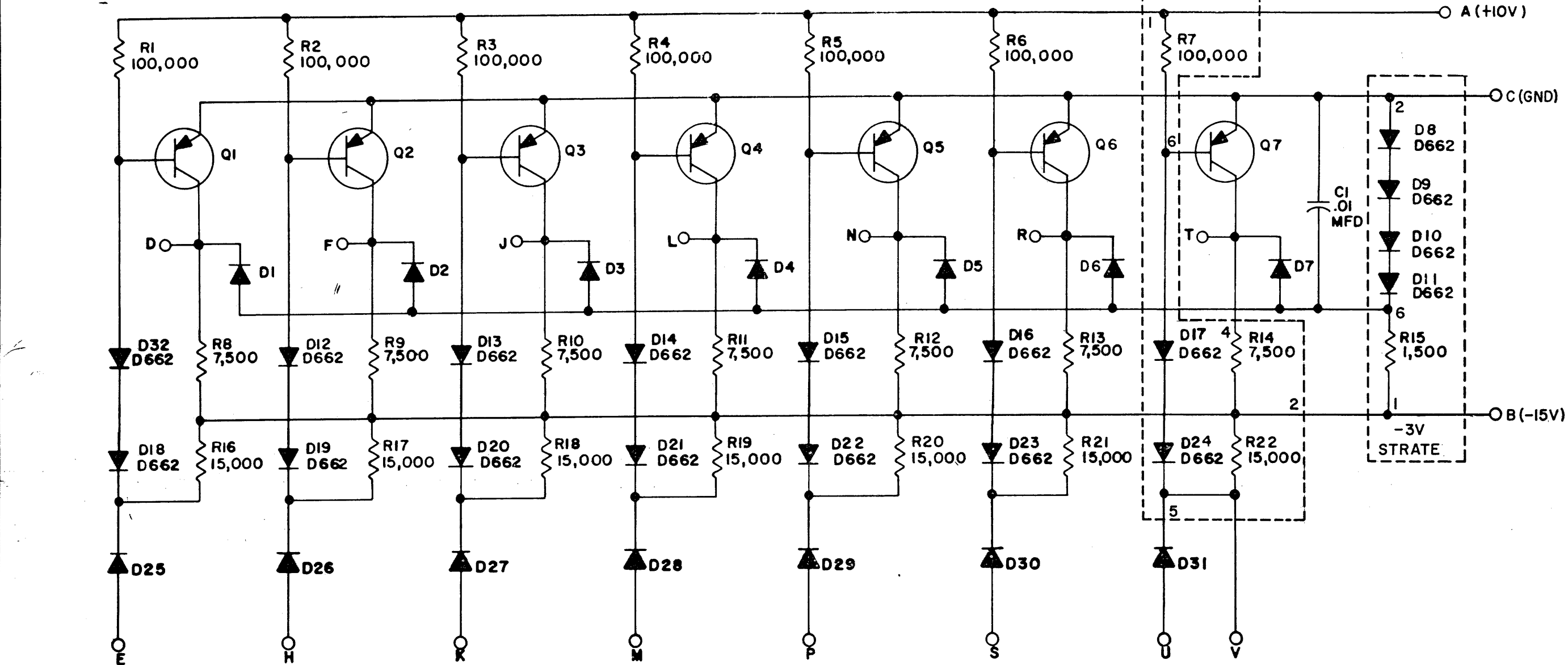


THIS SCHEMATIC IS FURNISHED ONLY FOR TEST AND MAINTENANCE PURPOSES. THE CIRCUITS ARE PROPRIETARY IN NATURE AND SHOULD BE TREATED ACCORDINGLY. COPYRIGHT 1964 BY DIGITAL EQUIPMENT CORPORATION



UNLESS OTHERWISE INDICATED;
 RESISTORS ARE 1/4W, 5%
 DIODES ARE D-664
 TRANSISTORS ARE DEC 3639B
 PRINTED CIRCUIT REV. FOR
 DGL BOARD IS SIA

REVISIONS	CHK	CHG NO.	REV.
	DAW	4863	1
	REV. & REDR.	D	
	PMS 5377		
	Dawley		
	5461	E	
	5685	F	
	6539	H	
	00001	J	
	N MOORE 4-17-72		
	D. BAKER		

DRN. A OUELLETTE	DATE 9-1-64
CHK'D N PERRYMAN	DATE 9-10-64
ENG. D WHITE	DATE 9-10-64
PROD. R. H. Hester	DATE 5-1-64

TRANSISTOR & DIODE CONVERSION CHART			
DEC	EIA	DEC	EIA
DEC 3639B	2N3639		
D662	IN645		
D664	IN3606		

digital
 EQUIPMENT CORPORATION
 MAYNARD, MASSACHUSETTS

TITLE INVERTER RI07			
SIZE B	CODE CS	NUMBER RI07-0-1	REV. J
PRINTED CIRCUIT REV.			C D E