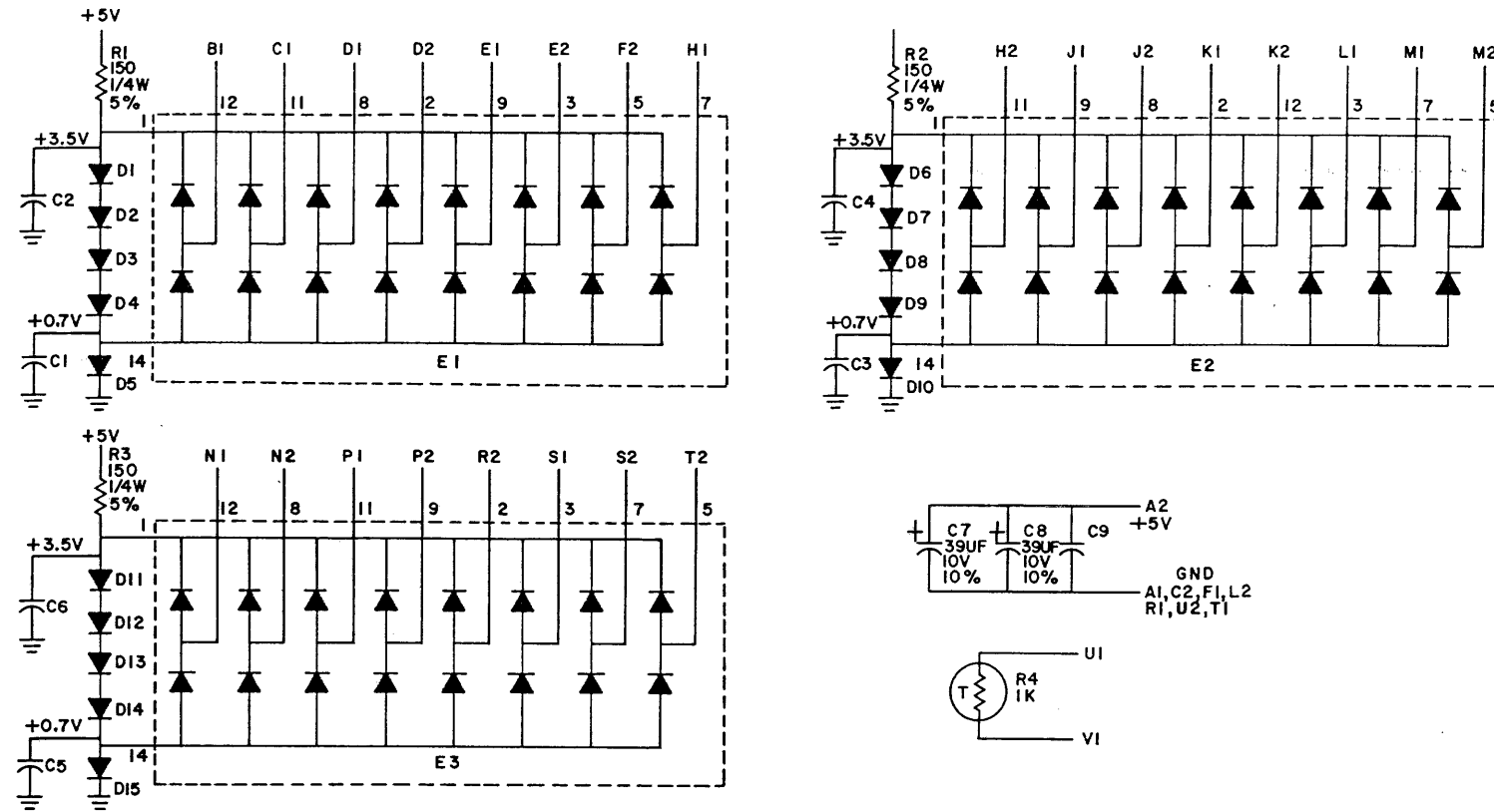
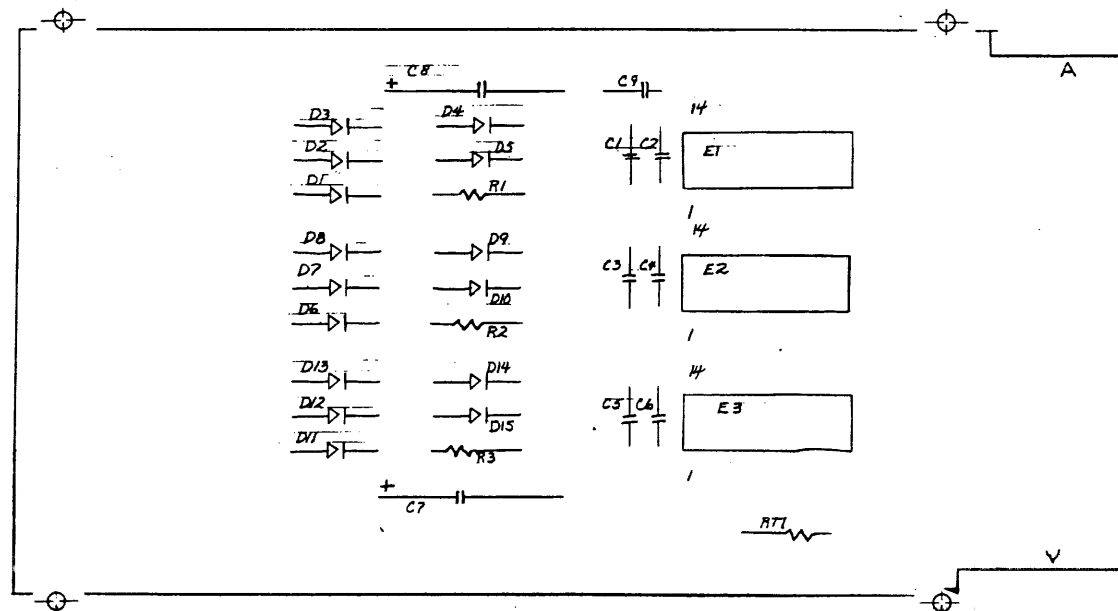


THIS SCHEMATIC IS FURNISHED ONLY FOR TEST AND MAINTENANCE PURPOSES. THE CIRCUITS ARE PROPRIETARY IN NATURE AND SHOULD BE TREATED ACCORDINGLY. COPYRIGHT 1971 BY DIGITAL EQUIPMENT CORPORATION



UNLESS OTHERWISE INDICATED:
CAPACITORS ARE .01UF, 100V, 5%
DIODES ARE D662
IC'S ARE DEC2501
THERMISTOR = DEC1310071



ITEM NO.	DEC PART NO.	DESCRIPTION	QTY.
10	1910011	I.C. - DEC2501M	3
9	1310071	THERMISTOR 1K $\pm 1\%$ 75°F - 25°C	1
8	1300250	RES. 150 $\frac{1}{4}$ W 5%	3
7	1100113	DIODE D662	15
6	1001610	CAP. .01UF 100V 20% DISC	7
5	1000076	CAP. 39UF 10V 10%	2
4	5009532	ETCHED CIRCUIT BOARD	1
3	B-MH-M969-0-1	MODULE HISTORY	
2	C-AH-M969-0-5	ASSY/DRILLING HOLE LAYOUT	
1	K-CO-M969-0-6	X-Y COORDINATE HOLE LOCATION	
PARTS LIST			

REVISIONS
CHK (CHK NO., REV.)

DRN: J. Carter
DATE: 4/30/71
CHK'D: M.
DATE: 4/27/71
ENG: J. Deane
DATE: 4/27/71
PROD: DATE:

TRANSISTOR & DIODE CONVERSION CHART			
DEC	EIA	DEC	EIA
D662	1N3606		

digital EQUIPMENT CORPORATION
MAYNARD, MASSACHUSETTS

TITLE: 24 LEVEL TERMINATORS AND THERMISTOR

SIZE: C
CODE: CS
NUMBER: M969-0-1
REV: A

PRINTED CIRCUIT REV. B

REV. A
NUMBER M969-0-1
SIZE CODE C CS