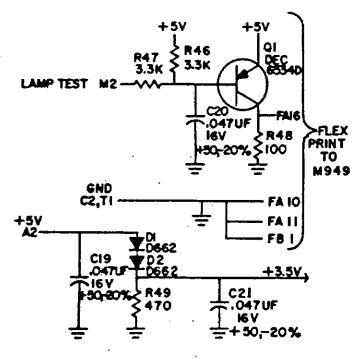
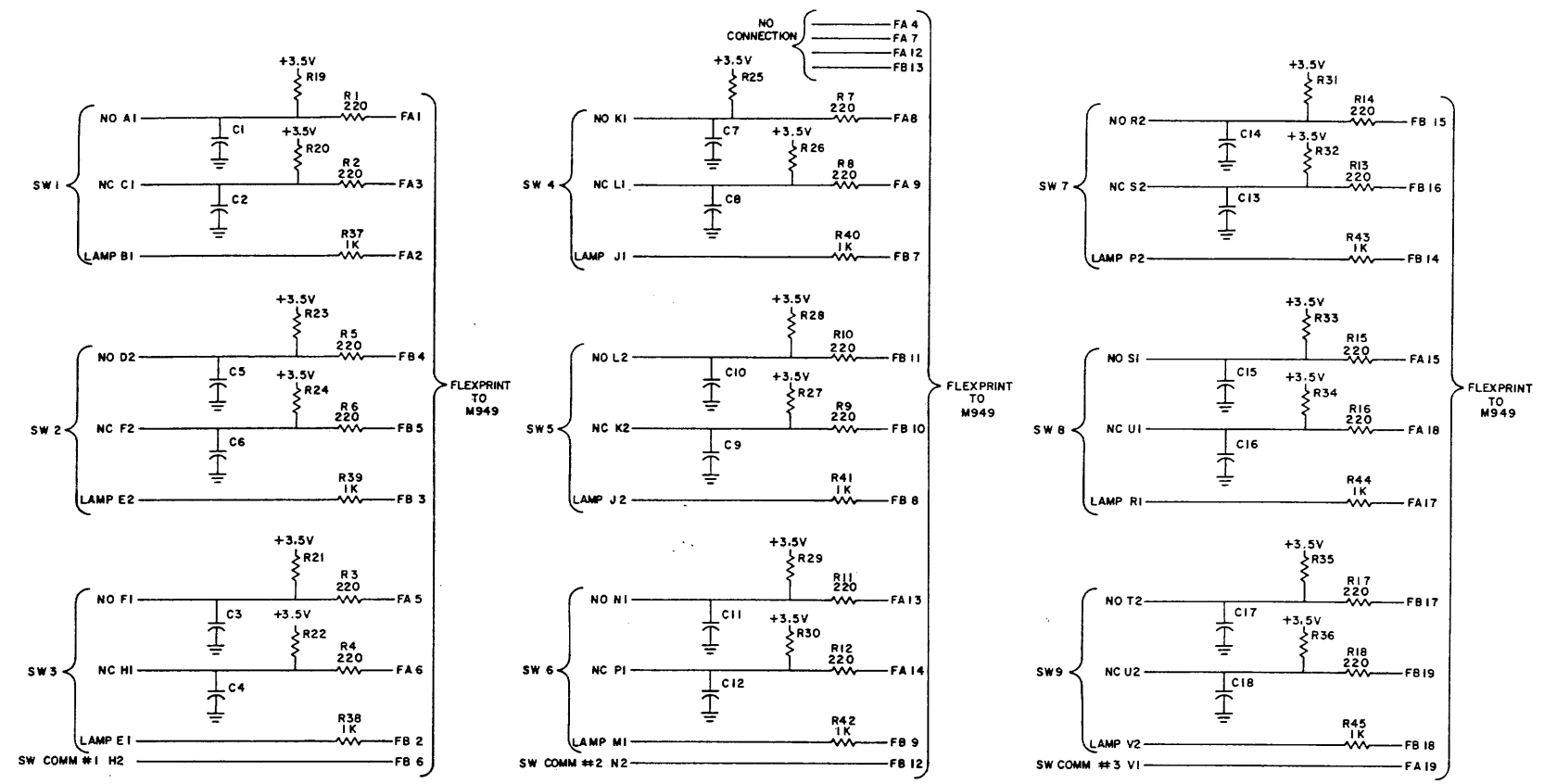
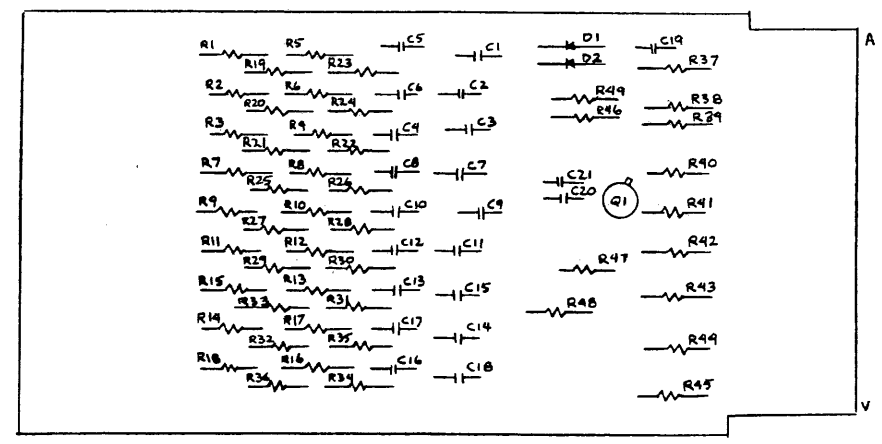


THIS SCHEMATIC IS FURNISHED ONLY FOR TEST AND MAINTENANCE PURPOSES. THE CIRCUITS ARE PROPRIETARY IN NATURE AND SHOULD BE TREATED ACCORDINGLY. COPYRIGHT 1970 BY DIGITAL EQUIPMENT CORPORATION.



UNLESS OTHERWISE INDICATED:
 RESISTORS ARE 4.7K, 1/4W, 5%
 CAPACITORS ARE 470PF, 100V, 5%
 FA= ETCH SIDE OF M950; COMPONENT SIDE OF M949
 FB= COMPONENT SIDE OF M950; ETCH SIDE OF M949



ITEM NO.	D&C PART NO.	DESCRIPTION	QTY.
14	1503409-00	TRANSISTOR DBC 6534D	1
13	1300447	RES. 4.7K, 1/4W, 5%	18
12	1300439	RES. 3.3K, 1/4W, 5%	2
11	1300365	RES. 1K, 1/4W, 5%	9
10	1300316	RES. 470, 1/4W, 5%	1
9	1300229	RES. 100, 1/4W, 5%	1
8	1300271	RES. 220, 1/4W, 5%	18
7	1100113	DIODE D662	2
6	1009678	CAP. .047UF, 16V, 50-20%	3
5	1000024	CAP. 470PF, 100V, 5%	18
4	5009372	ETCHED CIRCUIT BOARD	1
3	B-MH-M950-0-6	MODULE ECO HISTORY	
2	C-AH-M950-0-5	ASSY/DRILLING HOLE LAYOUT	
1	K-CO-M950-0-4	X-Y COORDINATE HOLE LOCATION	
PARTS LIST			
ITEM NO.	D&C PART NO.	DESCRIPTION	QTY.

REV. NO.	REV.	DATE	BY	CHKD	DATE	BY	DATE	BY
1		1/10/71	Cooper					
TRANSISTOR & DIODE CONVERSION CHART				TITLE				
DEC	EIA	DEC	EIA	digital INDICATOR CABLE CONN M950				
		DEC6534D	MPS6534D	EQUIPMENT CORPORATION				
PRINTED CIRCUIT REV				NUMBER				
				M950-0-1				
				REV				
				A				