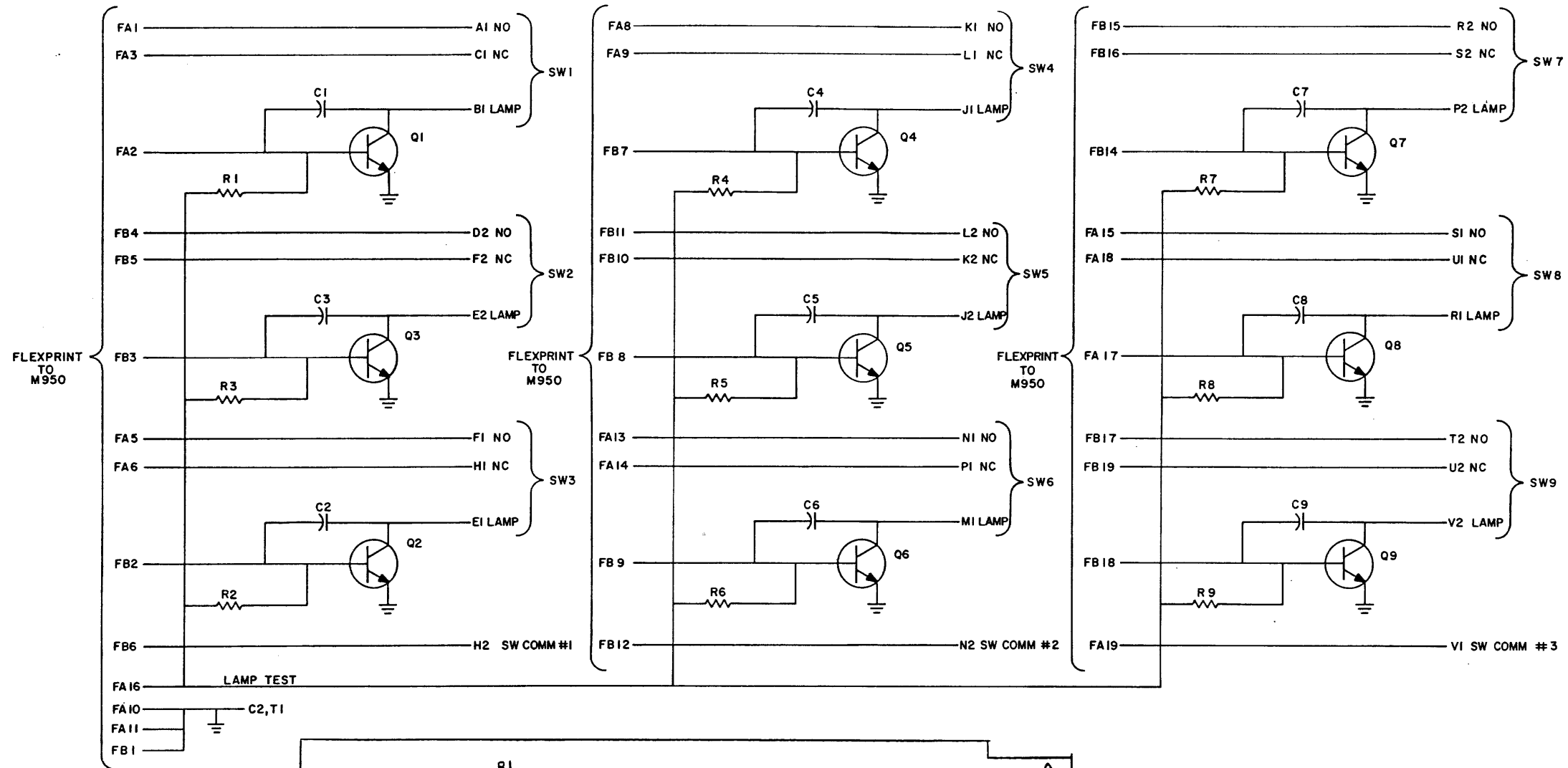


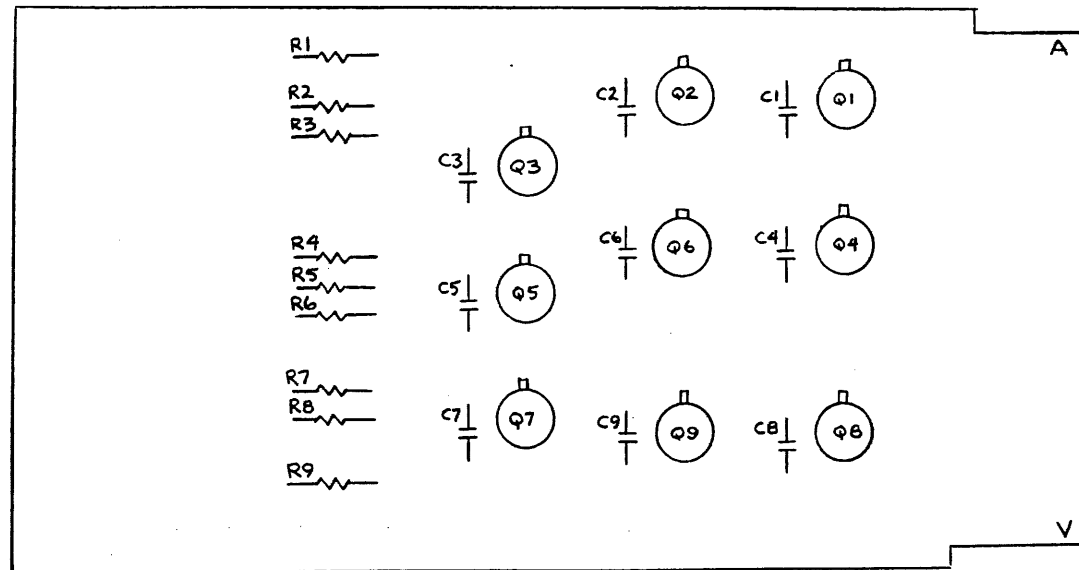
THIS SCHEMATIC IS FURNISHED ONLY FOR TEST AND MAINTENANCE PURPOSES. THE CIRCUITS ARE PROPRIETARY IN NATURE AND SHOULD BE TREATED ACCORDINGLY. COPYRIGHT 1970 BY DIGITAL EQUIPMENT CORPORATION



FLEXPRINT TO M950
 FA 4
 FA 7
 FA 12
 FB 13
 NO CONNECTION

UNLESS OTHERWISE INDICATED:
 RESISTORS ARE 3.3K, 1/4W, 5%
 TRANSISTORS ARE DEC6531
 CAPACITORS ARE 470 PF, 100V, 5%

FA= COMPONENT SIDE OF M949;
 ETCH SIDE OF M950
 FB= ETCH SIDE OF M949;
 COMPONENT SIDE OF M950



ITEM NO.	DEC PART NO.	DESCRIPTION	QTY.
7	1509338	TRANSISTOR DEC 6531	9
6	1300439	RES. 3.3K, 1/4W, 5%	9
5	1000024	CAP. 470, 100V, 5%	9
4	5009358	ETCHED CIRCUIT BOARD	1
3	B-MH-M949-0-6	MODULE ECO HISTORY	
2	C-AH-M949-0-5	ASSY/DRILLING HOLE LAYOUT	
1	K-CO-M949-0-1	X-Y COORDINATE HOLE LOCATION	
PARTS LIST			

REV.	CHK	CHG	NO.	REV.

DRN *S Cooper* DATE *12/15/70*
 CHK'D *[Signature]* DATE *12/21*
 ENG *[Signature]* DATE *1/7/71*
 PROD DATE

TRANSISTOR & DIODE CONVERSION CHART			
DEC	EIA	DEC	EIA
DEC6531	MPS6531		

digital
 EQUIPMENT CORPORATION
 MAYNARD, MASSACHUSETTS

TITLE
INDICATOR CABLE CONN. M949
 SIZE C CODE CS NUMBER M949-0-1 REV. A
 PRINTED CIRCUIT REV. A

REV. NUMBER
 C CS M949-0-1