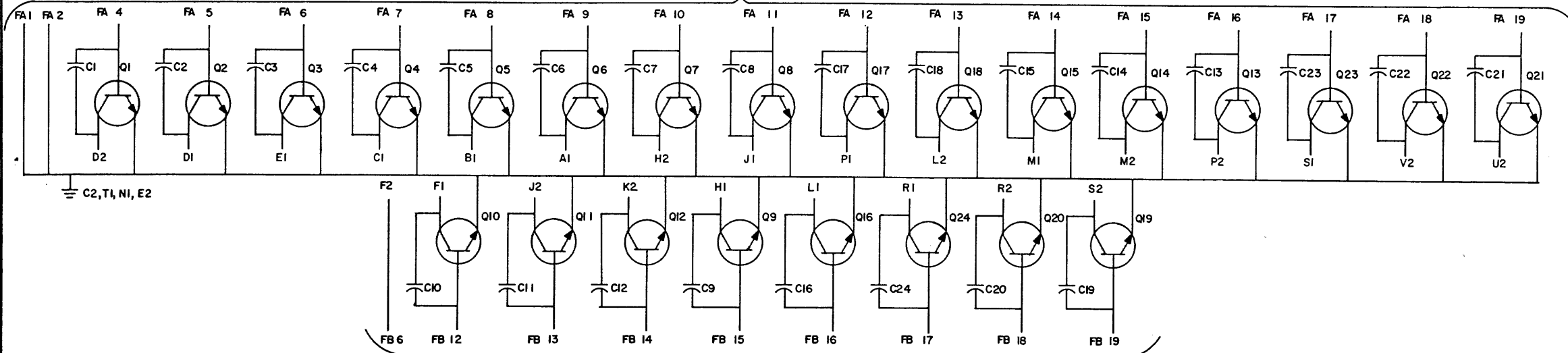


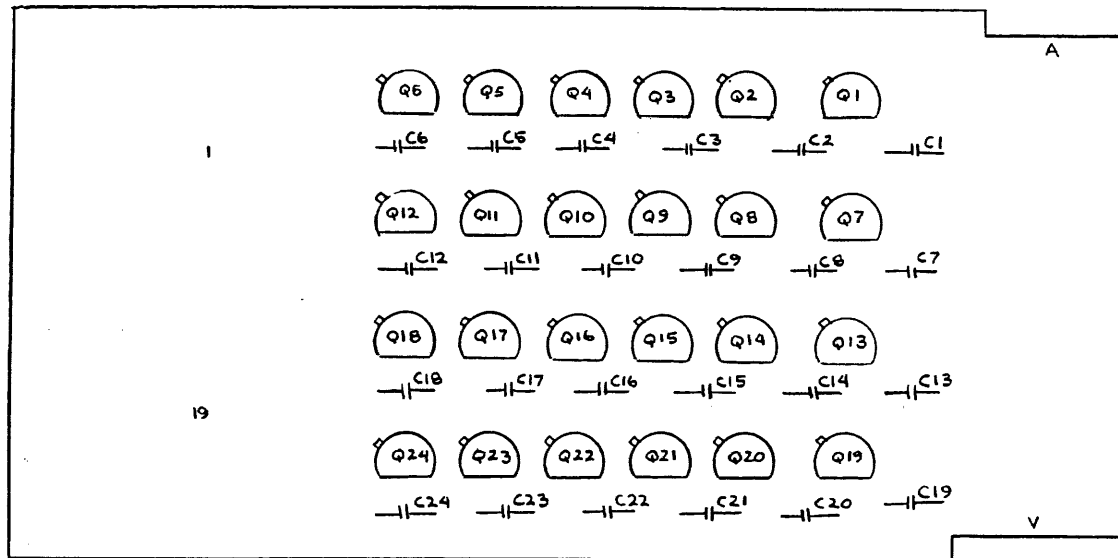
THIS SCHEMATIC IS FURNISHED ONLY FOR TEST AND MAINTENANCE PURPOSES. THE CIRCUITS ARE PROPRIETARY IN NATURE AND SHOULD BE TREATED ACCORDINGLY. COPYRIGHT 1970 BY DIGITAL EQUIPMENT CORPORATION

FA = ETCH SIDE OF M947; COMPONENT SIDE OF M948



FB = COMPONENT SIDE OF M947; ETCH SIDE OF M948

UNLESS OTHERWISE INDICATED:
CAPACITORS ARE 470PF, 100V, ±5%
TRANSISTORS ARE DEC6531B



ITEM NO.	DEC PART NO.	DESCRIPTION	QTY
6	1509338	TRANSISTOR DEC 6531B	24
5	1000024	CAP. 470 PF 100V 5%	24
4	5009370	ETCHED CKT. BOARD	1
3	E-MH-1947-0-6	MODULE ECO HISTORY	
2	C-AH-1947-0-5	ASSY/DRILLING HOLES LAYOUT	
1	K-CO-1947-0-4	X-Y COORDINATE HOLE LOCATION	

PARTS LIST

REV.	CHG NO.	CHK

DRN. <i>NANCY MOORE</i>	DATE <i>5/18/70</i>
CHKD. <i>J.P.</i>	DATE
ENG. <i>P. Sullivan</i>	DATE <i>2-27-71</i>
PROD.	DATE

TRANSISTOR & DIODE CONVERSION CHART			
DEC	EIA	DEC	EIA
DEC6531B	MPS6531		



TITLE KI-10 INDICATOR DRIVER M947			
SIZE C	CODE CS	NUMBER M947-0-1	REV. B
PRINTED CIRCUIT REV. C			

REV. B
NUMBER M947-0-1
SIZE CODE C CS

Pink Blue