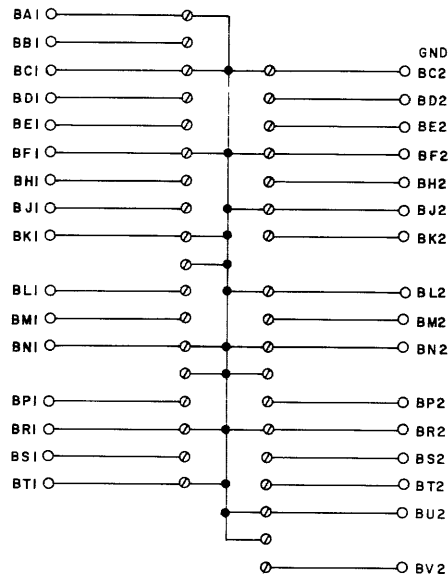
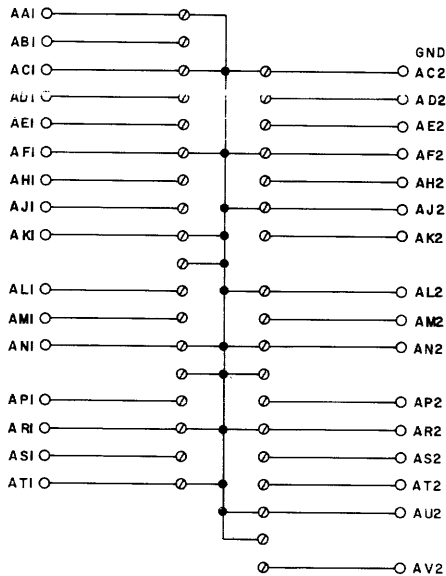


THIS SCHEMATIC IS FURNISHED ONLY FOR TEST AND MAINTENANCE PURPOSES. THE CIRCUITS ARE PROPRIETARY IN NATURE AND SHOULD BE TREATED ACCORDINGLY. COPYRIGHT 1969 BY DIGITAL EQUIPMENT CORPORATION



Ø SPLIT LUGS

REVISIONS  
CHK/CHG NO. REV.

DRN <i>R. Shaoul</i>	DATE 8-26-68
CHK'D <i>J. Roberts</i>	DATE 3-12-69
ENG. <i>R. Shaoul</i>	DATE 7-30-69
PROP. <i>GoPate</i>	DATE 8/1/69

TRANSISTOR & DIODE CONVERSION CHART

DEC		EIA	

**digital**  
EQUIPMENT CORPORATION  
MAYNARD, MASSACHUSETTS

TITLE  
IO BUS CONNECTOR CARD  
M912

SIZE B	CODE CS	NUMBER M912-0-1	REV. 
-----------	------------	--------------------	----------

PRINTED CIRCUIT REV. A