

THIS DRAWING AND SPECIFICATIONS HEREIN ARE THE PROPERTY OF DIGITAL EQUIPMENT CORPORATION AND SHALL NOT BE REPRODUCED OR COPIED OR USED IN WHOLE OR IN PART AS THE BASIS FOR THE MANUFACTURE OR SALE OF ITEMS WITHOUT WRITTEN PERMISSION.
 COPYRIGHT © 1977, DIGITAL EQUIPMENT CORPORATION

MB417-AA (16K)
 X = SWITCH OPEN OR OFF

	E62-1	E62-2	E62-3	E62-4	E62-5	E62-6	E62-7	E62-8
0-16	X							
16-32		X						
32-48			X					
48-64				X				
64-80					X			
80-96						X		
96-112							X	
112-128								X

MB417-BA (32K)
 X = SWITCH OPEN OR OFF

	E62-1	E62-2	E62-3	E62-4	E62-5	E62-6	E62-7	E62-8
0-32	X	X						
16-48		X	X					
32-64			X	X				
48-80				X	X			
64-96					X	X		
80-112						X	X	
96-128							X	X

- NOTES:
- MODULE DESIGNATION: MB417-AA = MB417-AB, -AC, -AD, AE, ETC. 16K MOS MEMORY
 REFERENCE DESIGNATIONS NOT USED:
 E101 E201 E301 E401
 E103 E203 E303 E403
 E105 E205 E305 E405
 E107 E207 E307 E407
 E109 E209 E309 E409
 E111 E211 E311 E411
 E113 E213 E313 E413
 E115 E215 E315 E415
 E117 E217 E317 E417
 E119 E219 E319 E419
 E121 E221 E321 E421
 E123 E223 E323 E423
 - MODULE DESIGNATION: MB417-BA = MB417-BB, -BC, -BD, -BE, ETC. 32K MOS MEMORY
 - ALL 8837'S HAVE PINS 7 & 9 GROUNDED.
 - TIMING RESISTORS R87 AND R92 MAY BE REMOVED AT MODULE TEST FOR TIMING ADJUSTMENTS.
 - TIMING RESISTORS R88, R100, R140 MAY BE INSTALLED AT MODULE TEST FOR TIMING ADJUSTMENTS.

JUMPER CONFIGURATIONS

JUMPER	MB417-AA (16K)	MB417-BA (32K)
W2	X	X
W3	X	X
W4	X	X
W5	X	X
W10	X	
W11	X	X

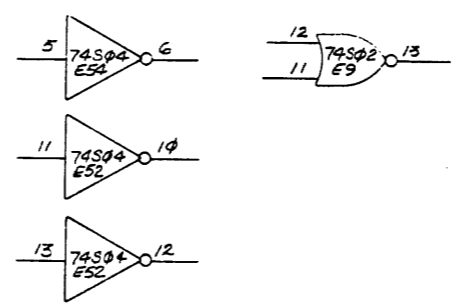
IC PIN LOCATIONS

IC TYPE	GND	+5	-5	+12
555	1	8		
7493	10	5		
74LS75	12	5		
8640	1	8		
75107B	7	14	13	
MK4027	16	9	1	8
OTHER 16 PIN IC'S	8	16		
OTHER 14 PIN IC'S	7	14		
75451	4	8		

SPARES

R88	3.16K 1/4W 1% MF	13-03045-00
R100	6040 1/4W 1% MF	13-13155-00
R140	1.21K 1/4W 1% MF	13-02871-00

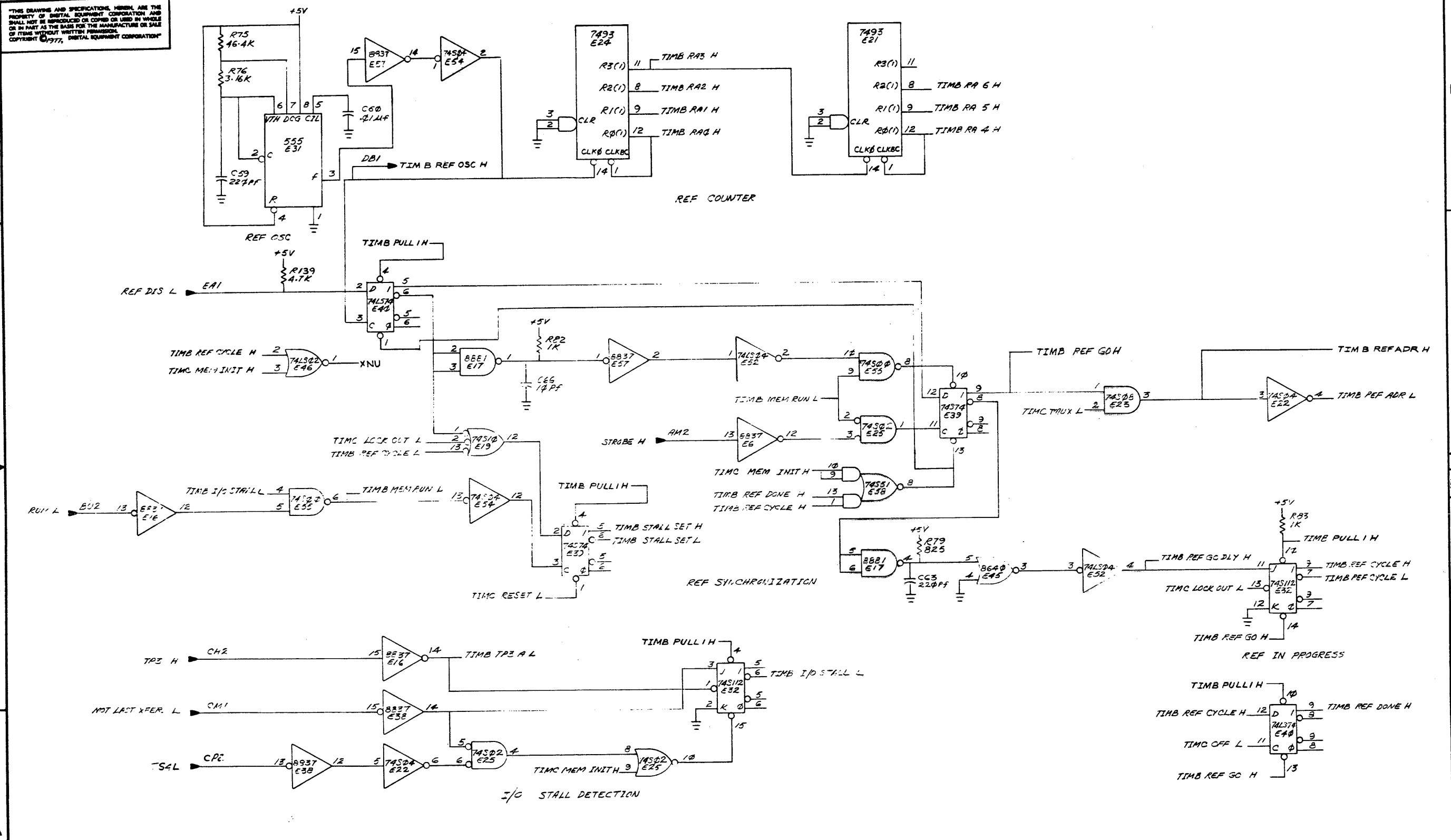
ALL JUMPERS ARE MACHINE INSERTABLE.
 THESE JUMPERS ARE REMOVED:
 W1, W5, W6, W7, W8, W12, W13, W14, W15, W16
 X = JUMPER INSTALLATION



REV.	CHG.	BY	DATE
B	MB417-0001	J. STEGEMAN	11-22-77
C	MB417-0002	J. STEGEMAN	11-22-77
D	MB417-0003	J. STEGEMAN	11-22-77
E	MB417-ML004	J. STEGEMAN	11-22-77
F	MB417-ML007	J. STEGEMAN	11-22-77

DRN. ANGEL SOLM 6/25/77	FIRST USED ON	MS8-C	digital
CHK'D [Signature] 7/17/77	TITLE	PDP8 MOS MEMORY	
ENG. [Signature] 11-22-77	SCALE	NCNE	
PROJ. ENG. [Signature] 11-22-77	SIZE	D	CS
NEXT HIGHER ASSY.	NUMBER	M8417-0-1	
B-DD-M8417-0	REV.	F	
SHEET 1 OF 14	DIST.		

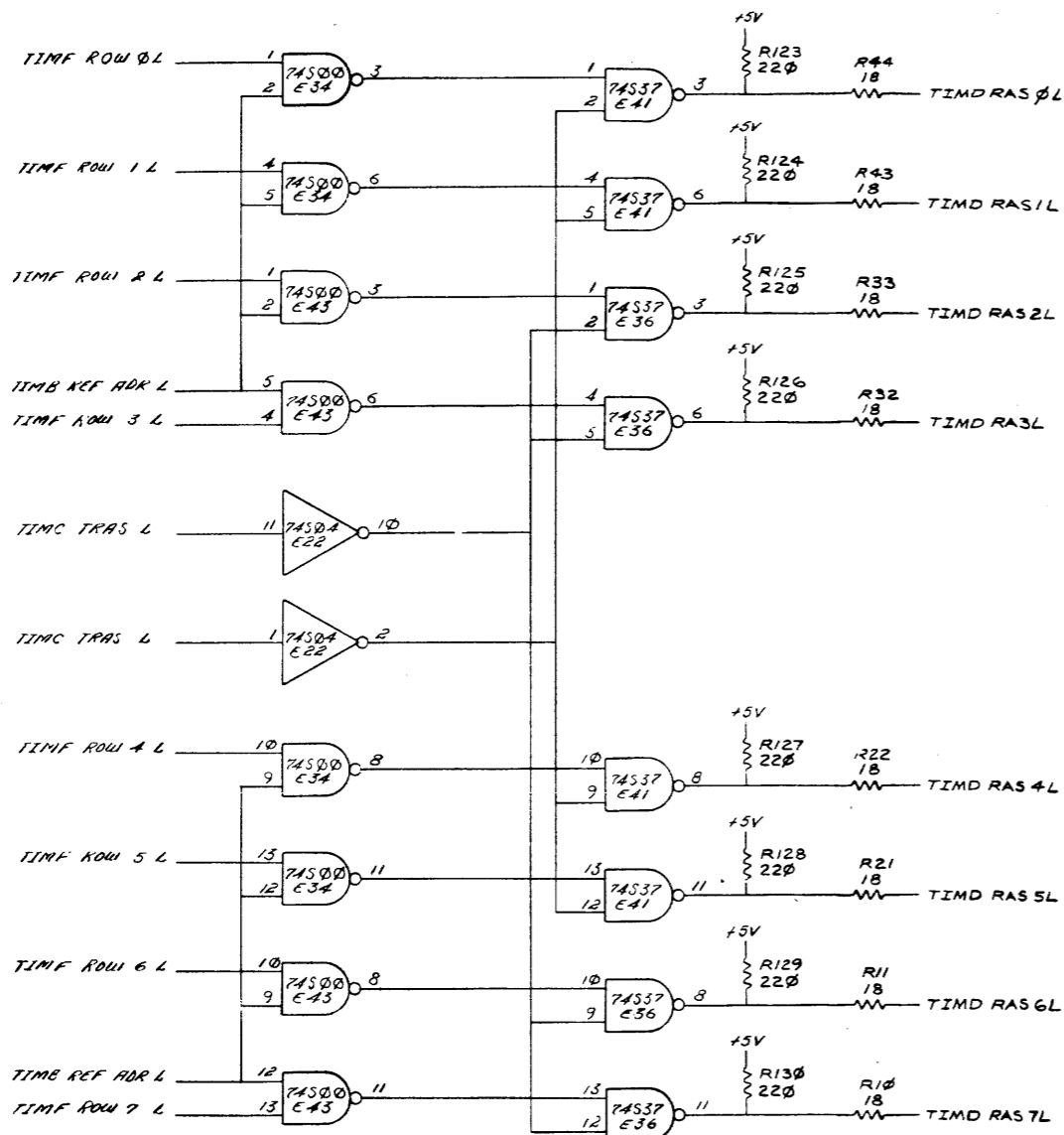
THIS DRAWING AND SPECIFICATIONS HEREIN ARE THE PROPERTY OF DIGITAL EQUIPMENT CORPORATION AND SHALL NOT BE REPRODUCED OR COPIED OR USED IN WHOLE OR IN PART AS THE BASIS FOR THE MANUFACTURE OR SALE OF ITEMS WITHOUT WRITTEN PERMISSION OF DIGITAL EQUIPMENT CORPORATION
 COPYRIGHT © 1977



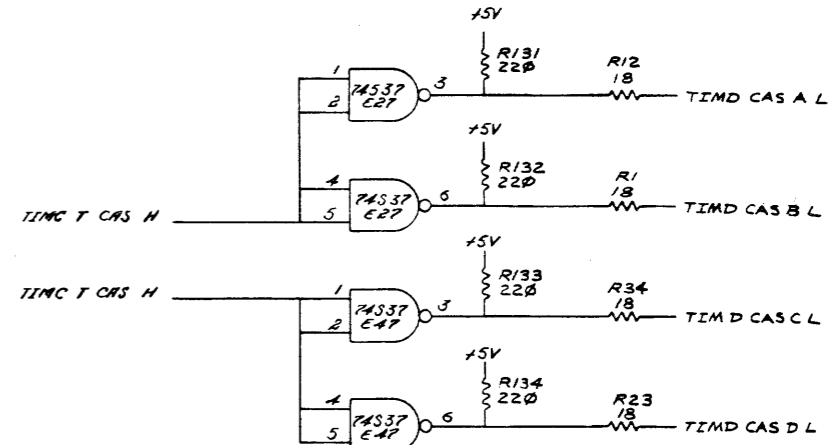
REVISIONS		
CHK	CHANGE NO.	REV.

TITLE	PDP8 MOS MEMORY (TIM B)	SIZE CODE	DCS	NUMBER	M8417-0-1	REV.	F
SCALE	NONE	SHEET	2 OF 14	DIST.			

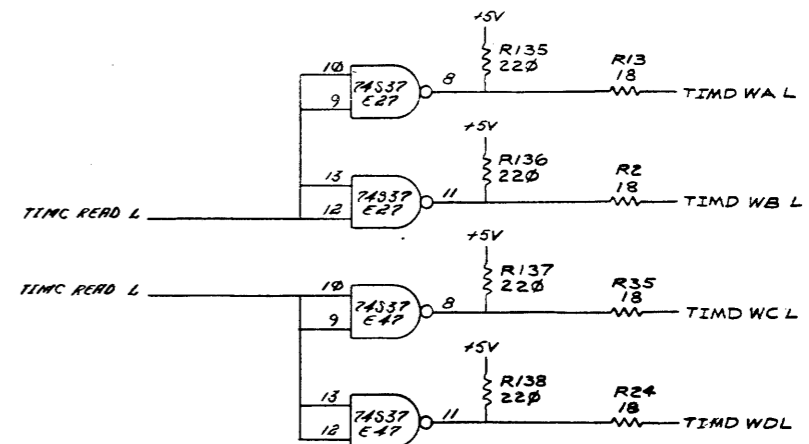
THIS DRAWING AND SPECIFICATIONS, HEREIN, ARE THE PROPERTY OF DIGITAL EQUIPMENT CORPORATION AND SHALL NOT BE REPRODUCED OR COPIED IN WHOLE OR IN PART AS THE BASIS FOR THE MANUFACTURE OR SALE OF ITEMS WITHOUT WRITTEN PERMISSION. COPYRIGHT © 1977 DIGITAL EQUIPMENT CORPORATION



RAS DRIVERS & SELECT



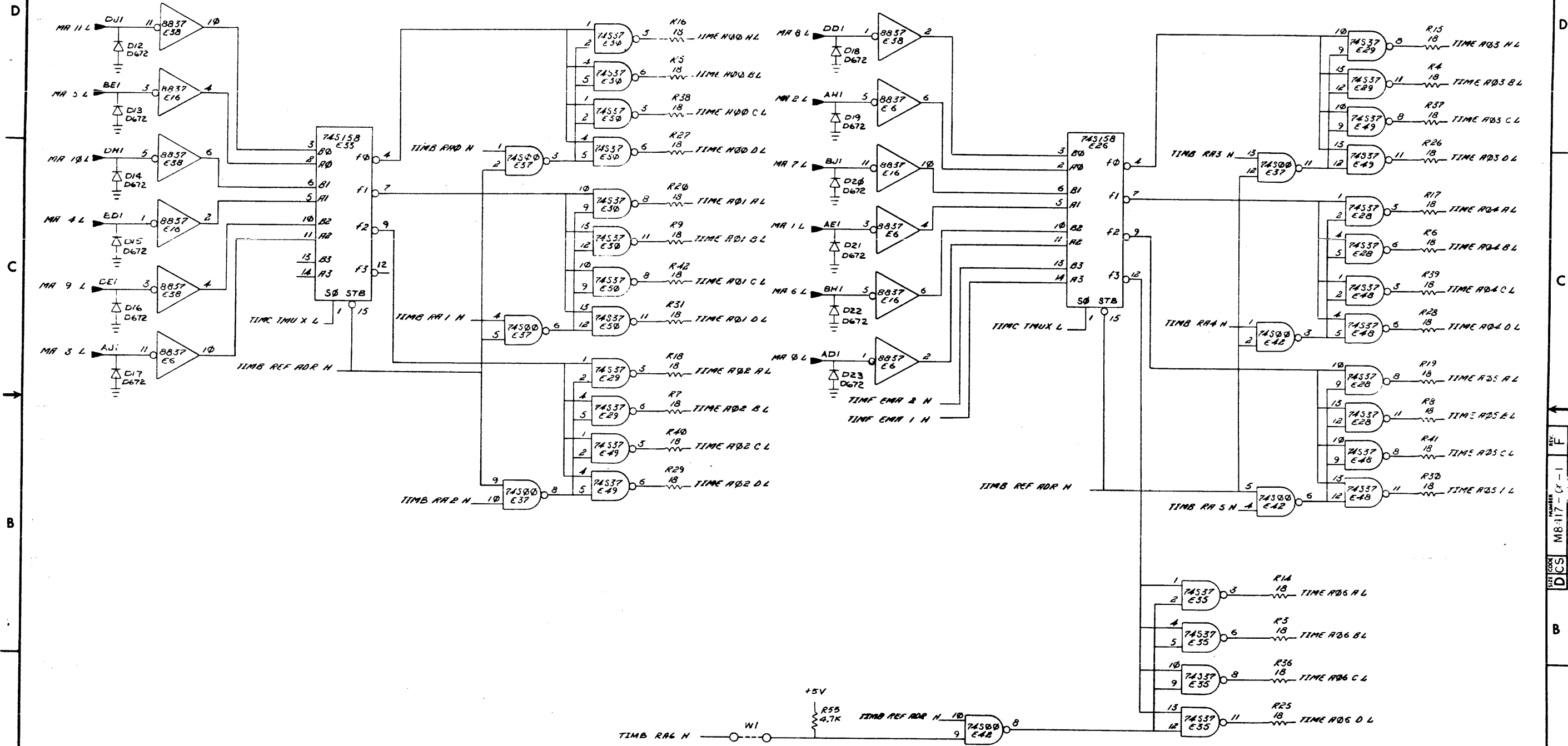
GAS DRIVERS



WRITE ENABLE DRIVERS

REVISIONS		
CHK	CHANGE NO.	REV.

THIS DRAWING AND SPECIFICATIONS HEREIN ARE THE PROPERTY OF DIGITAL EQUIPMENT CORPORATION AND SHALL NOT BE REPRODUCED OR COPIED OR USED IN WHOLE OR IN PART AS THE BASIS FOR THE MANUFACTURE OR SALE OF ITEMS WITHOUT WRITTEN PERMISSION. COPYRIGHT © 1977 DIGITAL EQUIPMENT CORPORATION

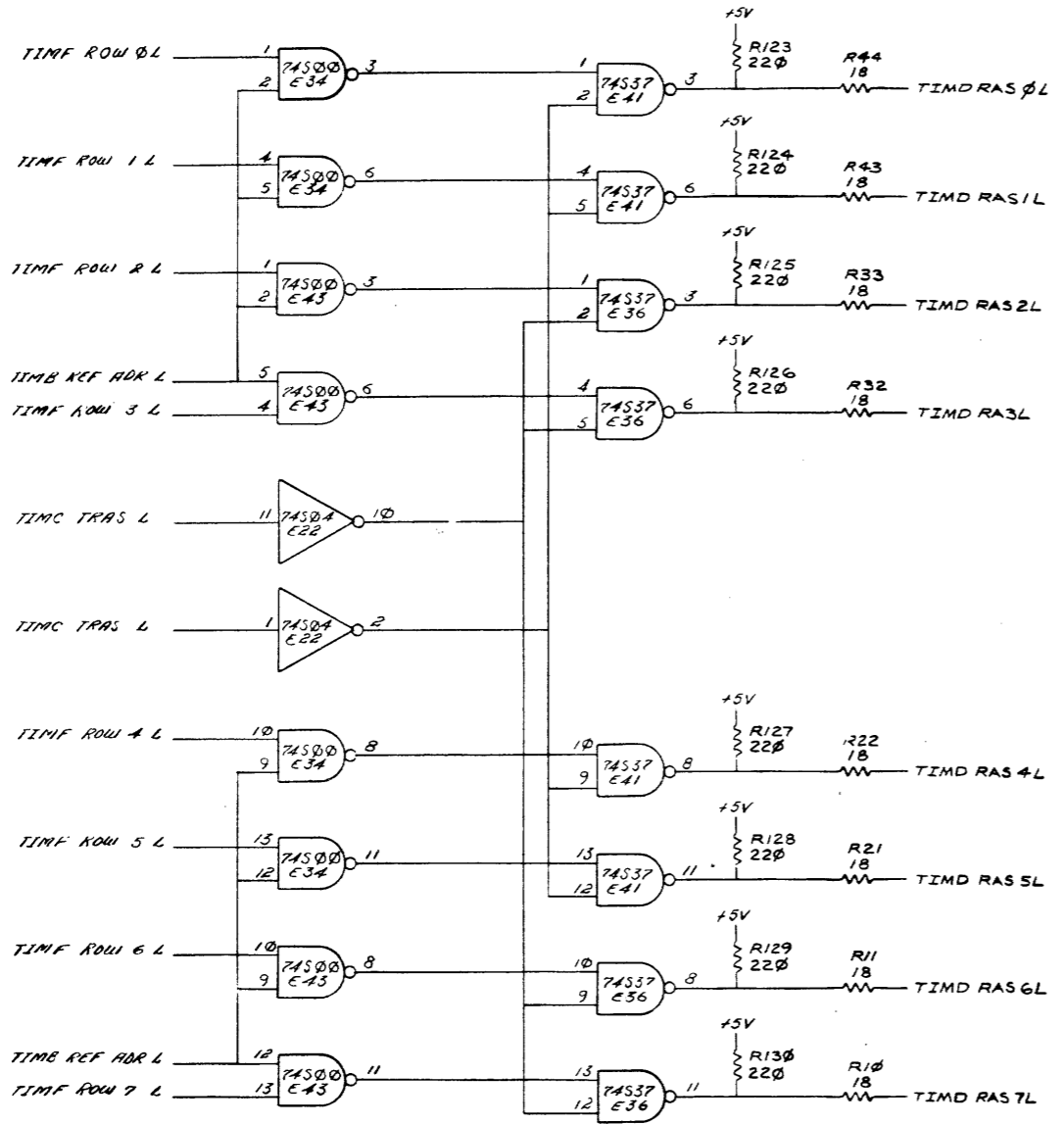


ROW, COLUMN & REF ADR MUX & ADR DRIVERS

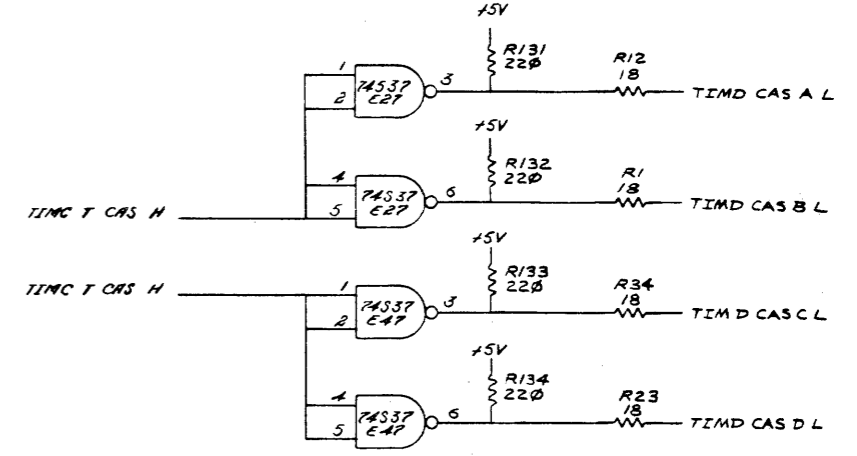
REVISIONS		
CHK	CHANGE NO.	REV.

TITLE	(TIME)	SIZE CODE	NUMBER	REV.
PDP8 MOS MEMORY	D CS	M8417-0-1	F	
SCALE	NONE	SHEET 5 OF 14	DIST.	

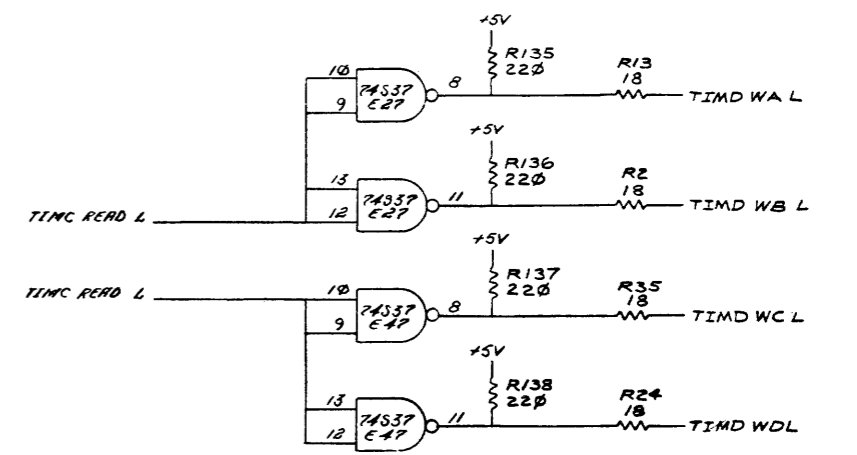
THIS DRAWING AND SPECIFICATIONS HEREIN ARE THE PROPERTY OF DIGITAL EQUIPMENT CORPORATION AND SHALL NOT BE REPRODUCED OR COPIED OR USED IN WHOLE OR IN PART AS THE BASIS FOR THE MANUFACTURE OR SALE OF ITEMS WITHOUT WRITTEN PERMISSION. COPYRIGHT © 1977 DIGITAL EQUIPMENT CORPORATION



RAS DRIVERS & SELECT



CAS DRIVERS

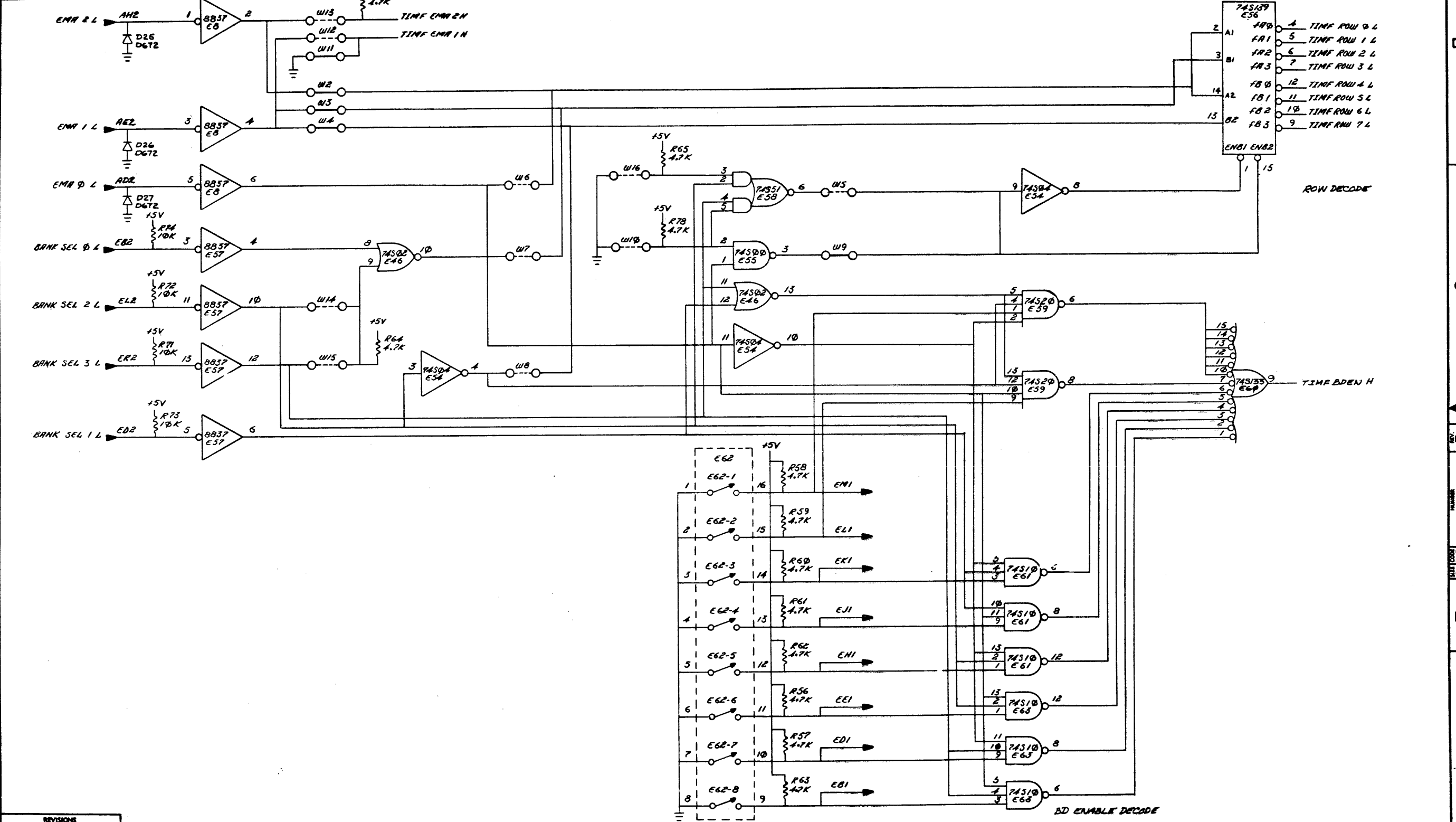


WRITE ENABLE DRIVERS

REVISIONS		
CHK	CHANGE NO.	REV.

REV. F
NUMBER M8417-0-1
SIZE CODE DCS

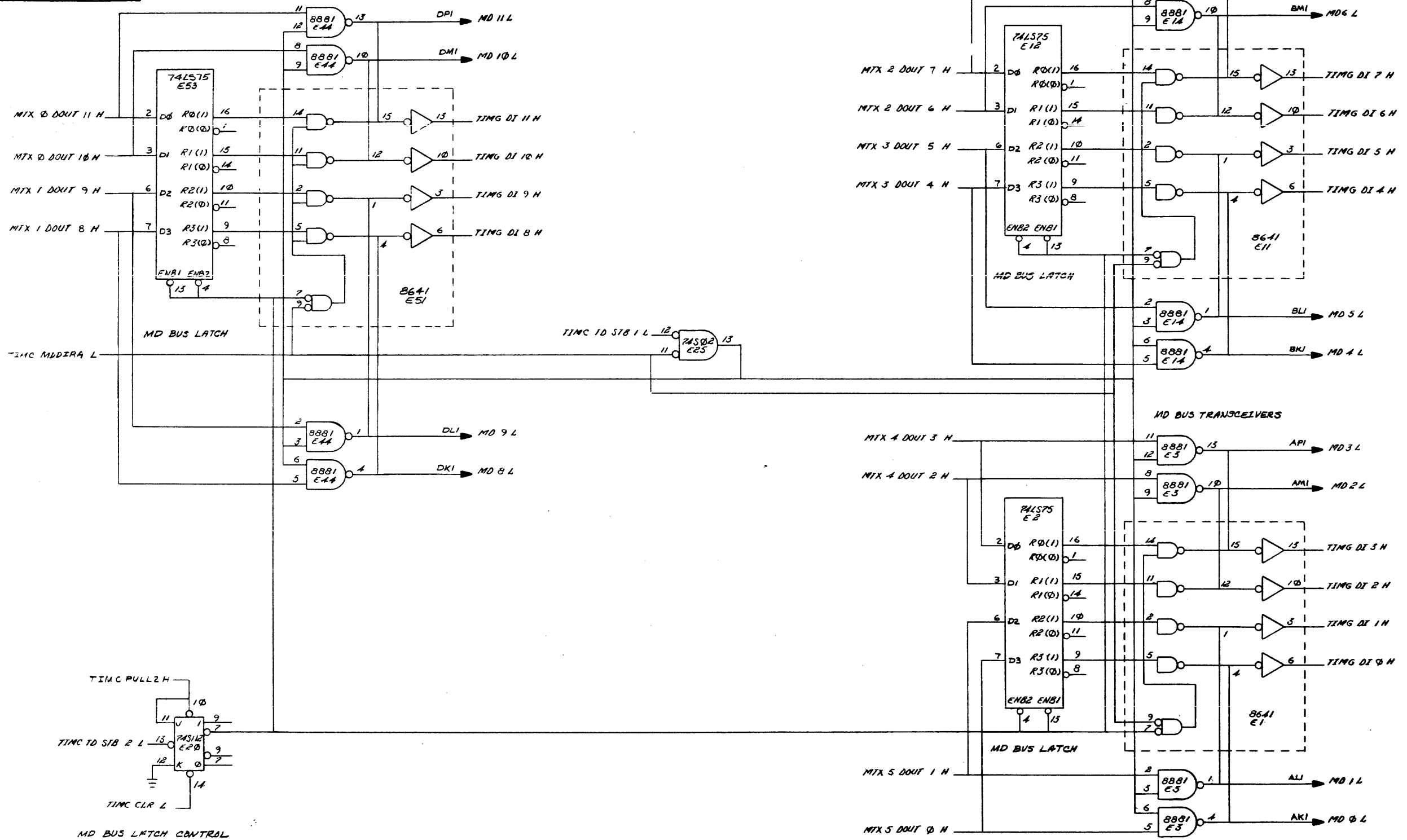
THIS DRAWING AND SPECIFICATIONS, HEREIN, ARE THE PROPERTY OF DIGITAL EQUIPMENT CORPORATION AND SHALL NOT BE REPRODUCED OR COPIED OR USED IN WHOLE OR IN PART AS THE BASIS FOR THE MANUFACTURE OR SALE OF ITEMS WITHOUT WRITTEN PERMISSION. COPYRIGHT © 1977 DIGITAL EQUIPMENT CORPORATION



REVISIONS			TITLE		NUMBER		REV.	
CHK	CHANGE NO.	REV.	PDP8 MOS MEMORY (TIMF)		DCS M8417-0-1		E	
			SCALE	NONE	SHEET	6 OF 14	DWT.	

THIS DRAWING AND SPECIFICATIONS HEREIN ARE THE PROPERTY OF DIGITAL EQUIPMENT CORPORATION AND SHALL NOT BE REPRODUCED OR COPIED OR USED IN WHOLE OR IN PART AS THE BASIS FOR THE MANUFACTURE OR SALE OF ITEMS WITHOUT WRITTEN PERMISSION. COPYRIGHT © 1977 DIGITAL EQUIPMENT CORPORATION

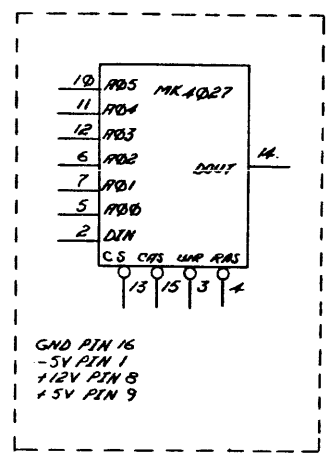
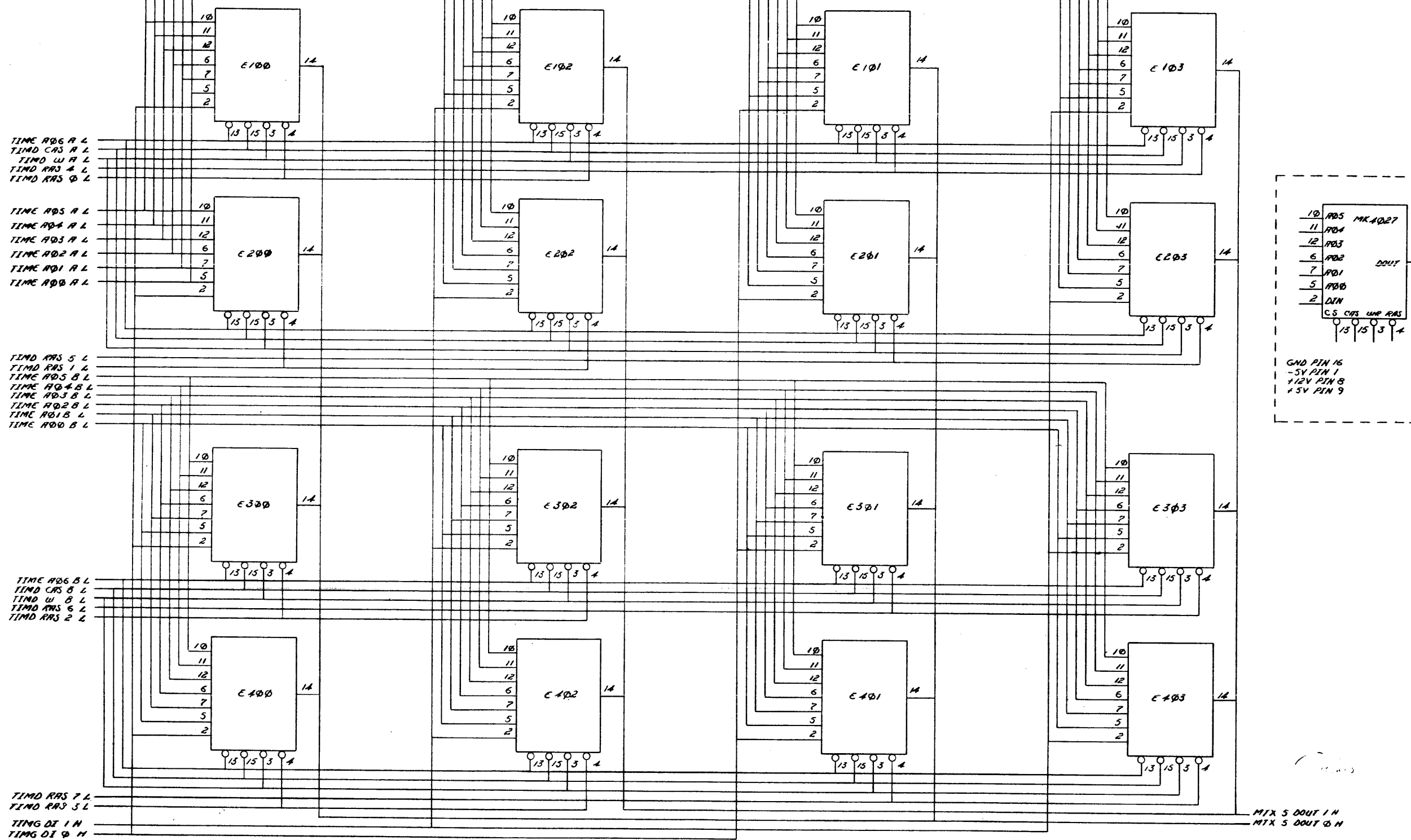
MD BUS TRANSCEIVERS



REVISIONS		
CHK	CHANGE NO.	REV.

REV. F. NUMBER DCS M8417-0-1

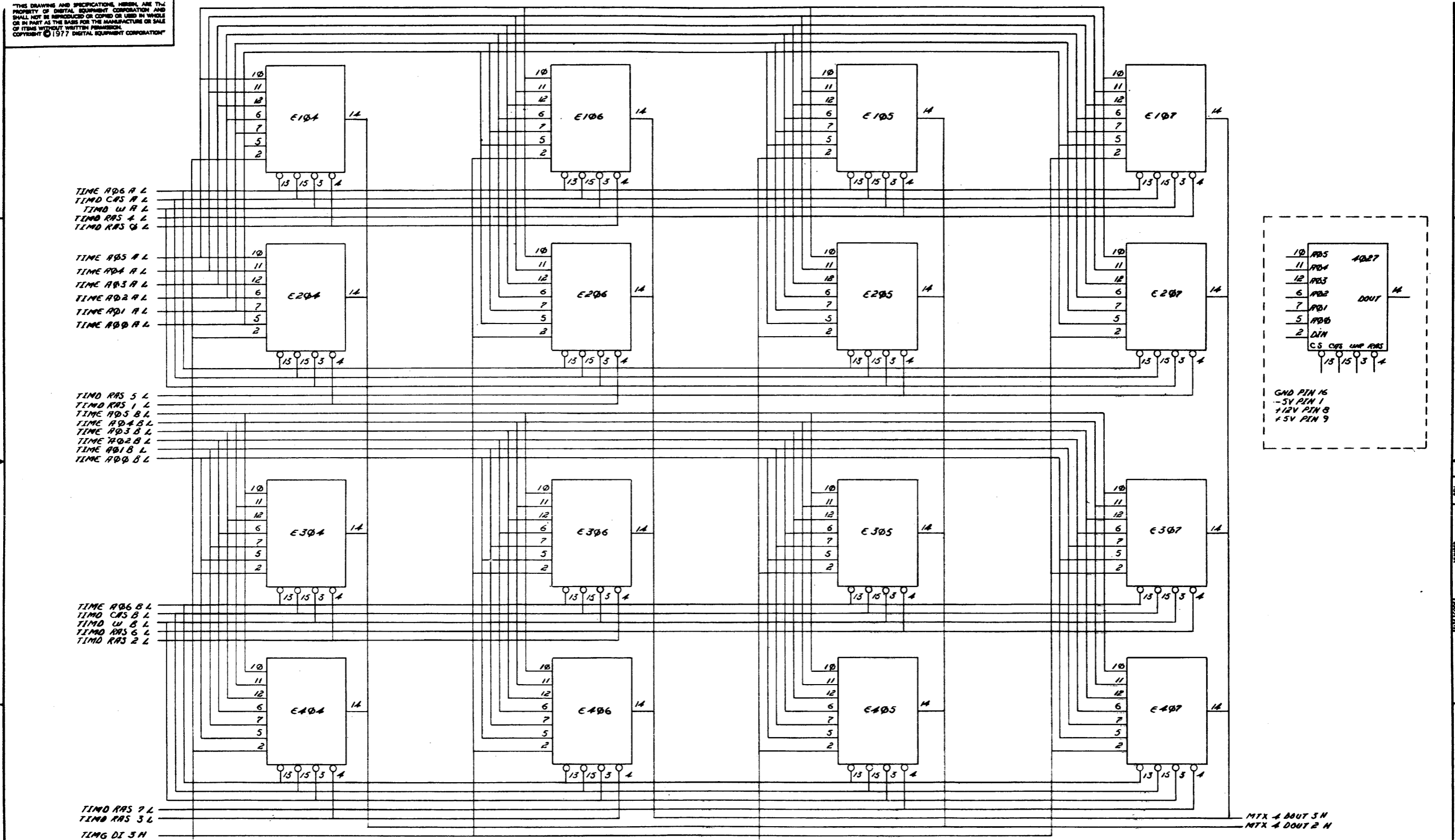
THIS DRAWING AND SPECIFICATIONS, HEREIN, ARE THE PROPERTY OF DIGITAL EQUIPMENT CORPORATION AND SHALL NOT BE REPRODUCED OR COPIED OR USED IN WHOLE OR IN PART AS THE BASIS FOR THE MANUFACTURE OR SALE OF ITEMS WITHOUT WRITTEN PERMISSION. COPYRIGHT © 1977 DIGITAL EQUIPMENT CORPORATION



(ARRAY) DATA BITS 0,1
MTX 5

REVISIONS		
CHK	CHANGE NO.	REV.

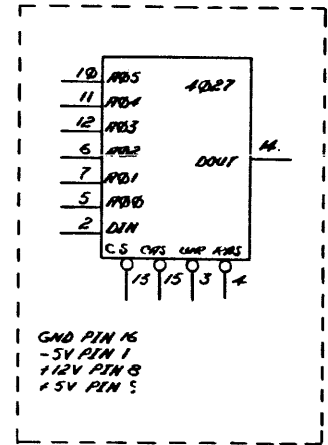
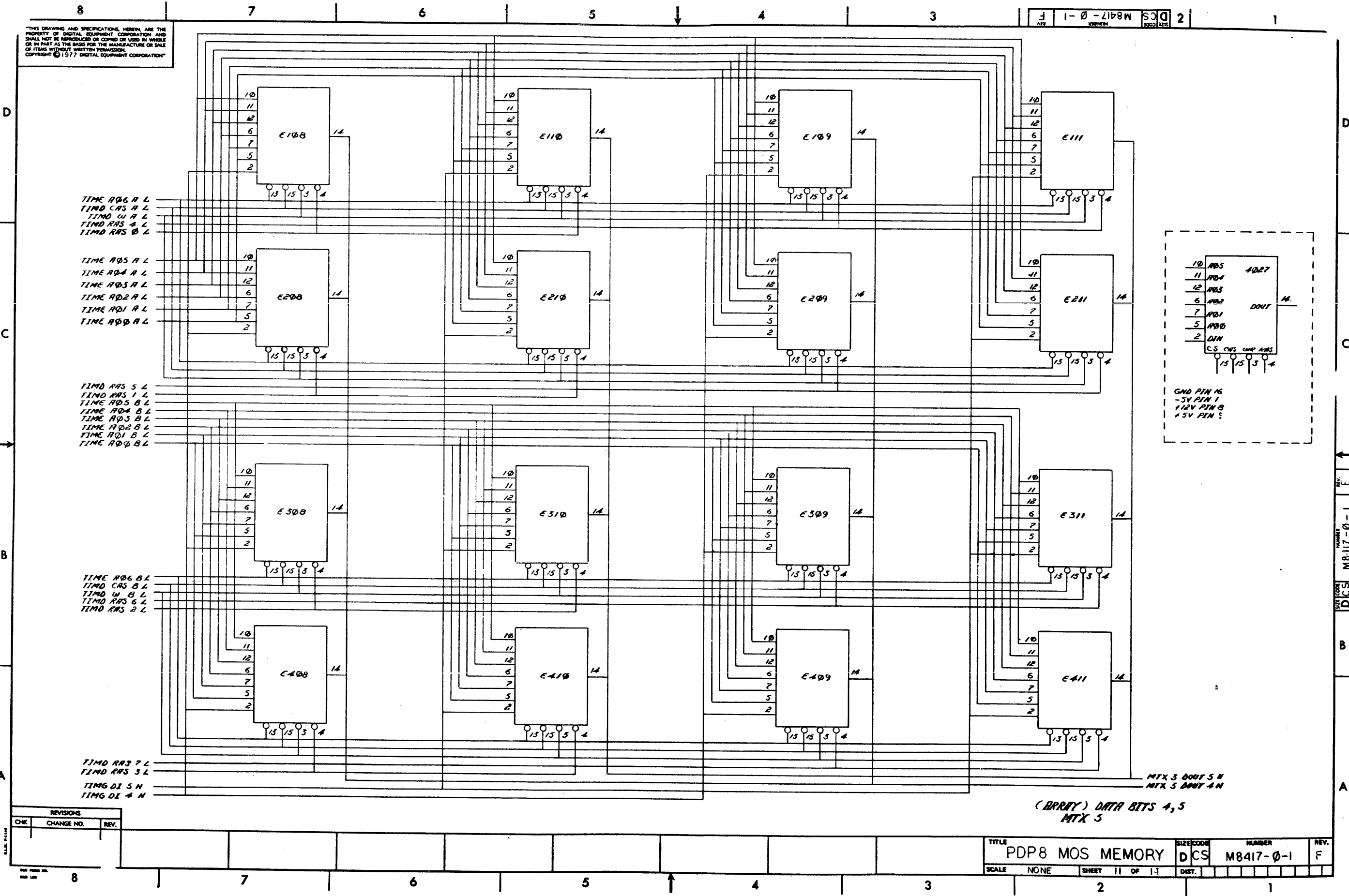
THIS DRAWING AND SPECIFICATIONS HEREIN ARE THE PROPERTY OF DIGITAL EQUIPMENT CORPORATION AND SHALL NOT BE REPRODUCED OR COPIED OR USED IN WHOLE OR IN PART AS THE BASIS FOR THE MANUFACTURE OR SALE OF ITEMS WITHOUT WRITTEN PERMISSION. COPYRIGHT © 1977 DIGITAL EQUIPMENT CORPORATION



(ARRAY) DATA BITS 2,3
MTX 4

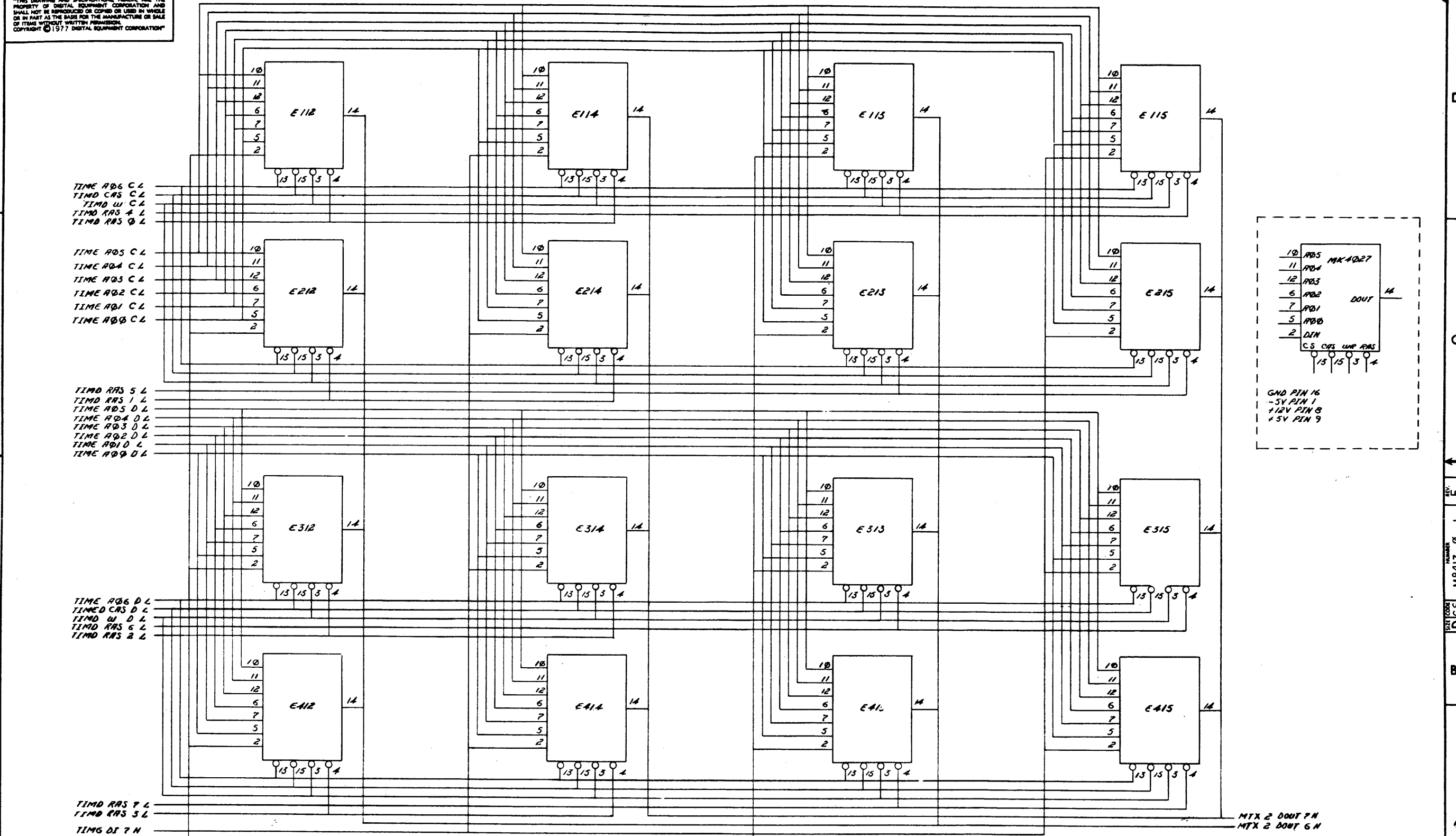
REVISIONS		
CHK	CHANGE NO.	REV.

THIS DRAWING AND SPECIFICATIONS HEREIN ARE THE PROPERTY OF DIGITAL EQUIPMENT CORPORATION AND SHALL NOT BE REPRODUCED OR COPIED OR USED IN WHOLE OR IN PART AS THE BASIS FOR THE MANUFACTURE OR SALE OF ITEMS WITHOUT WRITTEN PERMISSION.
 COPYRIGHT © 1977 DIGITAL EQUIPMENT CORPORATION



REVISIONS		
CHK	CHANGE NO.	REV.

"THIS DRAWING AND SPECIFICATIONS, HEREIN, ARE THE PROPERTY OF DIGITAL EQUIPMENT CORPORATION AND SHALL NOT BE REPRODUCED OR COPIED OR USED IN WHOLE OR IN PART AS THE BASIS FOR THE MANUFACTURE OR SALE OF ITEMS WITHOUT WRITTEN PERMISSION. COPYRIGHT © 1977 DIGITAL EQUIPMENT CORPORATION"



GND PIN 16
-5V PIN 1
+12V PIN 8
+5V PIN 9

(ARRAY) DATA BITS 6,7
MTX 2

REVISIONS		
CHK	CHANGE NO.	REV.

"THIS DRAWING AND SPECIFICATIONS HEREIN ARE THE PROPERTY OF DIGITAL EQUIPMENT CORPORATION AND SHALL NOT BE REPRODUCED OR COPIED OR USED IN WHOLE OR IN PART AS THE BASIS FOR THE MANUFACTURE OR SALE OF ITEMS WITHOUT WRITTEN PERMISSION. COPYRIGHT © 1977 DIGITAL EQUIPMENT CORPORATION"

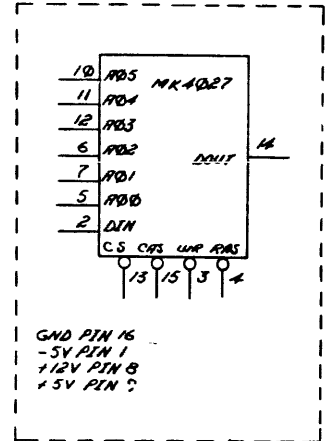
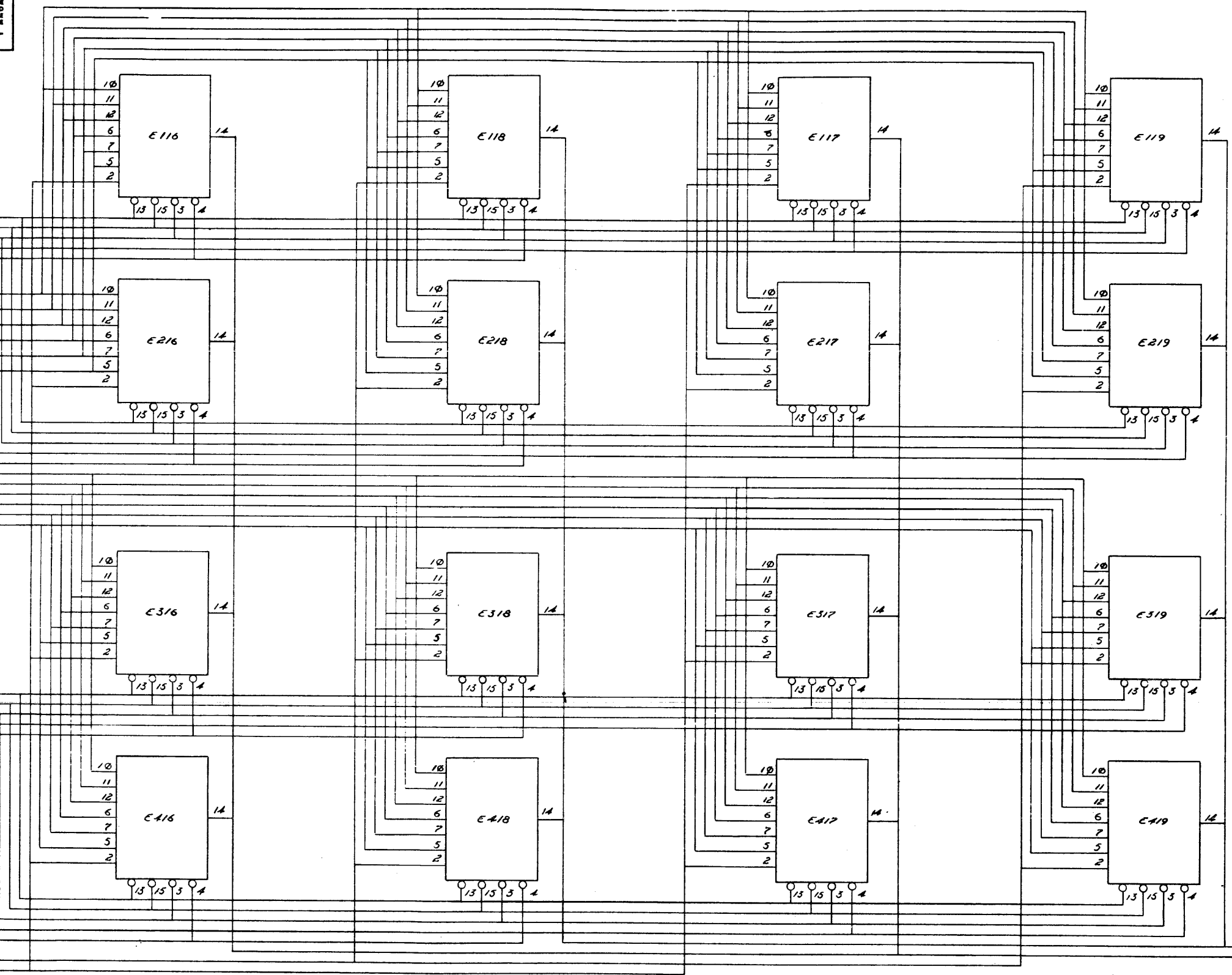
TIME RAS C L
TIME CRS C L
TIME W C L
TIME RAS A L
TIME RAS B L

TIME RAS C L
TIME RAS A C L
TIME RAS B C L
TIME RAS 2 C L
TIME RAS 1 C L
TIME RAS 0 C L

TIME RAS 5 L
TIME RAS 4 L
TIME RAS 3 L
TIME RAS 2 L
TIME RAS 1 L
TIME RAS 0 L

TIME RAS 6 L
TIME RAS 5 L
TIME RAS 4 L
TIME RAS 3 L
TIME RAS 2 L

TIME RAS 7 L
TIME RAS 6 L
TIME RAS 5 L
TIME RAS 4 L
TIME RAS 3 L



MTX 1 DOUT 9 N
MTX 1 DOUT 8 N

(ARRAY) DATA BITS 8,9
MTX 1

REVISIONS		
CHK	CHANGE NO.	REV.

THIS DRAWING AND SPECIFICATIONS HEREIN ARE THE PROPERTY OF DIGITAL EQUIPMENT CORPORATION AND SHALL NOT BE REPRODUCED OR COPIED OR USED IN WHOLE OR IN PART AS THE BASIS FOR THE MANUFACTURE OR SALE OF ITEMS WITHOUT WRITTEN PERMISSION. COPYRIGHT © 1977 DIGITAL EQUIPMENT CORPORATION

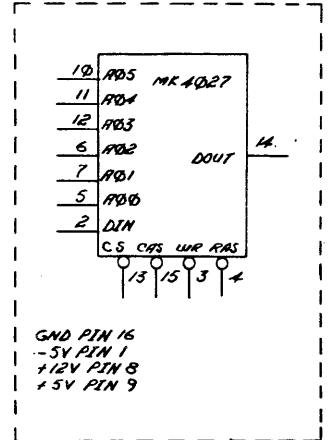
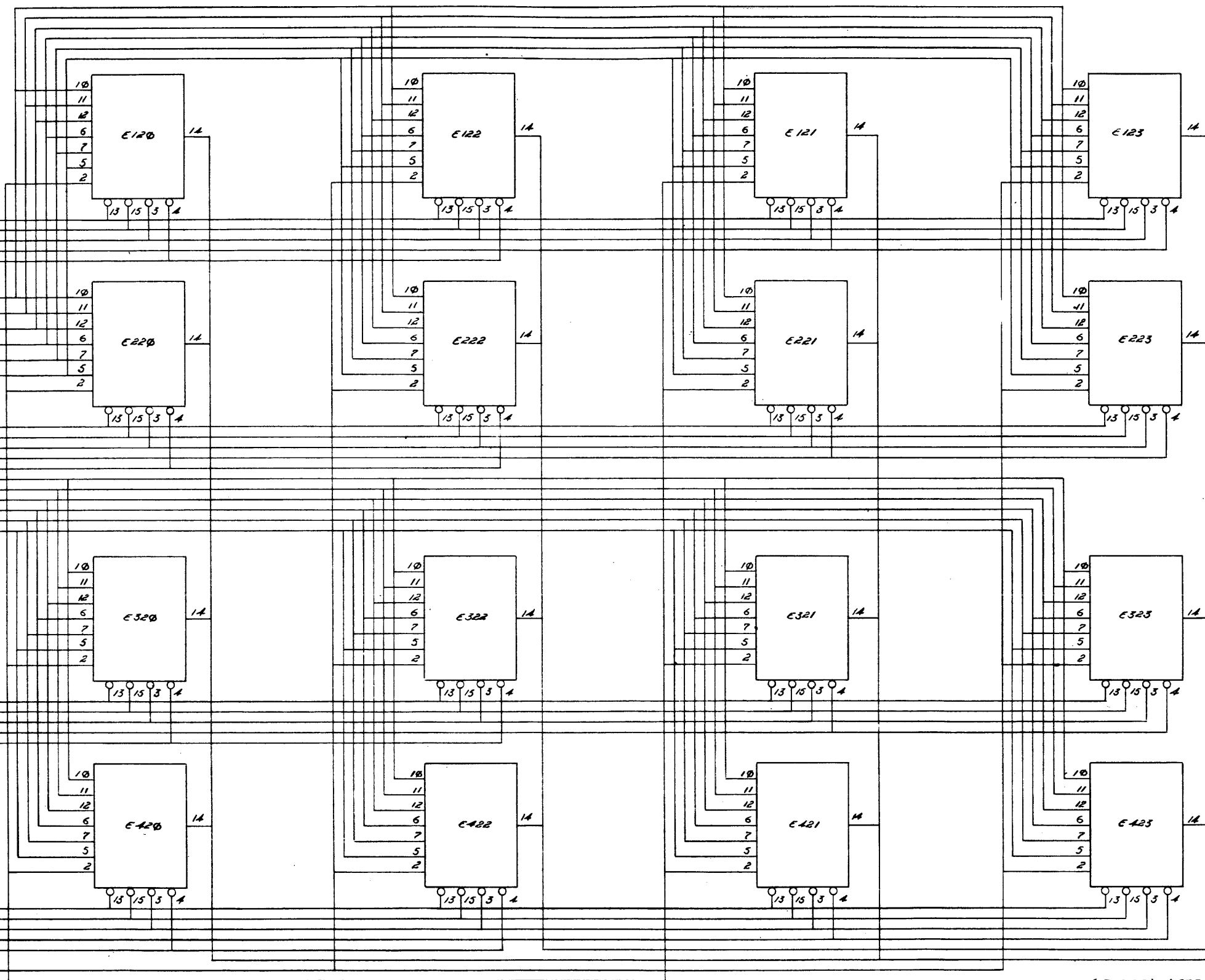
TIME R06 C L
 TIME R05 C L
 TIME R04 C L
 TIME R03 C L
 TIME R02 C L
 TIME R01 C L
 TIME R00 C L

TIME R05 C L
 TIME R04 C L
 TIME R03 C L
 TIME R02 C L
 TIME R01 C L
 TIME R00 C L

TIME R05 S L
 TIME R05 I L
 TIME R05 D L
 TIME R04 D L
 TIME R03 D L
 TIME R02 D L
 TIME R01 D L
 TIME R00 D L

TIME R06 D L
 TIME R05 D L
 TIME R04 D L
 TIME R03 D L
 TIME R02 D L

TIME R05 7 L
 TIME R05 3 L
 TIME DI N H
 TIME DI 10 H



MTX 0 DOUT 11 H
 MTX 0 DOUT 10 H

(ARRAY) DATA BITS 0, 11
 MTX 0

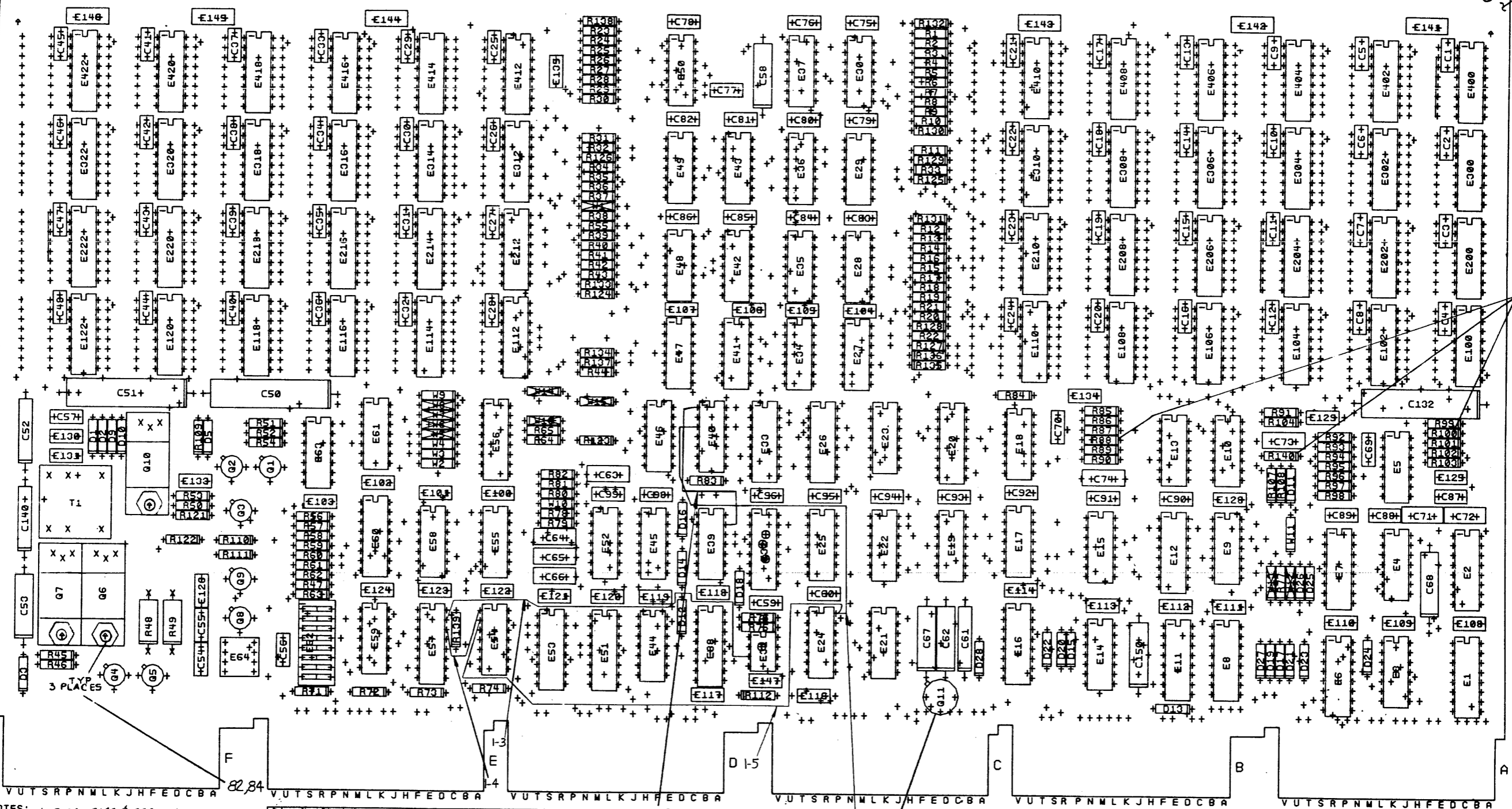
REVISIONS		
CHK	CHANGE NO.	REV.

TITLE	PDP8 MOS MEMORY	SIZE CODE	DCS	NUMBER	M8417-0-1	REV.	F
SCALE	NONE	SHEET	14	OF	14	DIST.	

MODULE VARIATION M8417-AA

2 DMM8417-0-0

COMPONENT SIDE VIEW



NOTES: 1. R100, R140 & R88 WILL NOT BE INSTALLED AT ASSEMBLY, BUT AT MEMORY TEST, IF NEEDED.
 2. M8417-AA = M8417-AB, AC ETC. = (6KX12 BIT MEMORY).

CHK CHANGE NO	REV	DATE	BY
01	M8417-0001	B	J. STEGEMAN
02	M8417-0002	C	J. STEGEMAN
03	M8417-0003	D	J. STEGEMAN
04	M8417-0004	E	J. STEGEMAN
05	M8417-0005	F	J. STEGEMAN

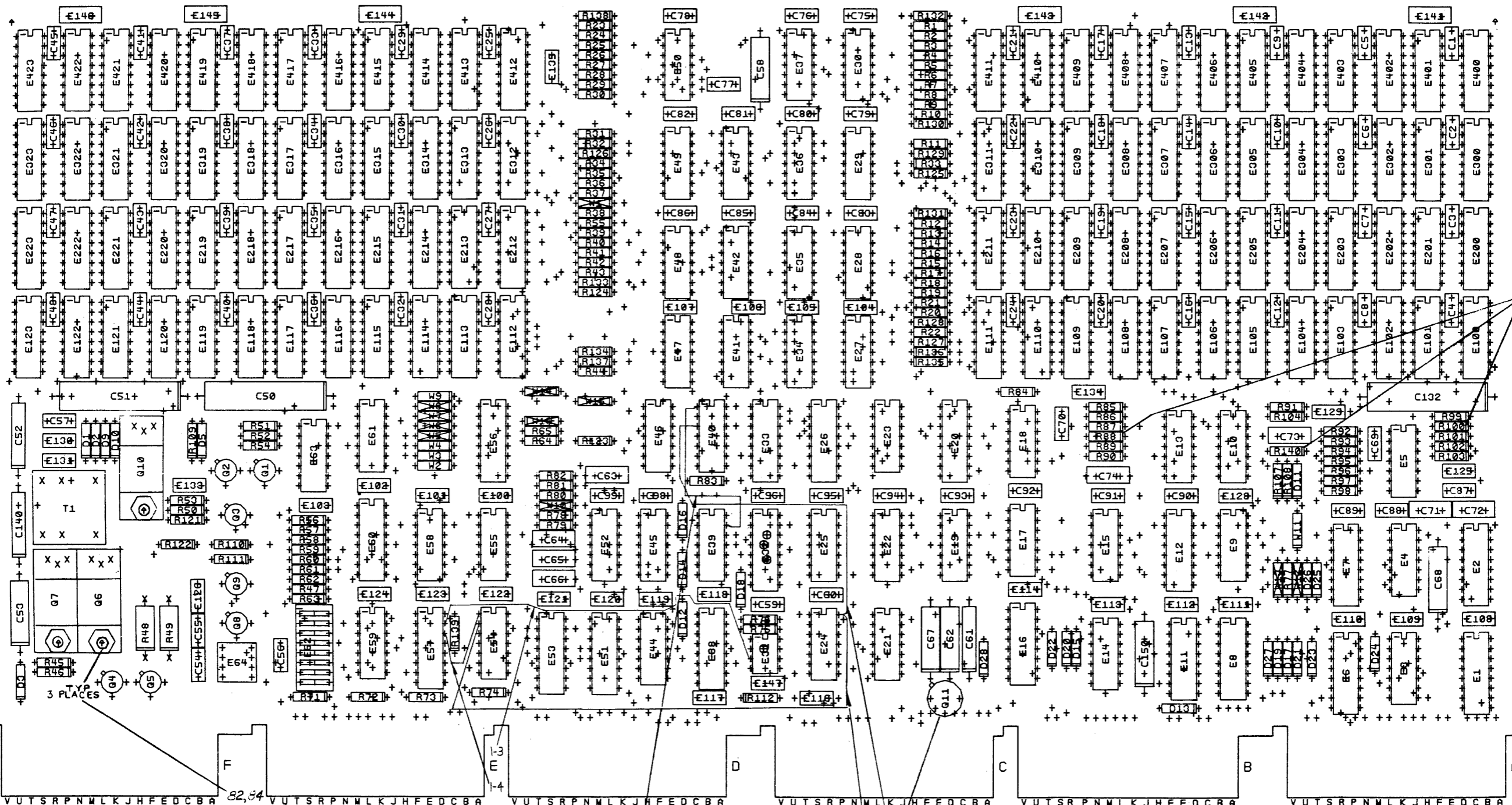
FOR PARTS LIST, SEE B-PL-M8417-0-0

ETCH REV. B	P.C. DESIGN DATA BASE REV. B1
-------------	-------------------------------

SIGNATURES		DATE	TITLE
DRN. <i>D. Sullivan</i>		5-19-71	
CHK'D. <i>D. Sullivan</i>		5-19-71	
ENG. <i>D. Sullivan</i>		7-2-71	
PROJ. ENG. <i>D. Sullivan</i>		7-2-71	
PROD. <i>D. Sullivan</i>		7-8-71	
SCALE 2/1			SIZE CODE NUMBER
SHT. 1 OF 8			d UA M8417-0-0
NEXT HIGHER ASSY. B-DD-M8417-0			REV E

MODULE VARIATION M8417-BA

COMPONENT SIDE VIEW



SEE NOTE 1

NOTES: 1. R100, R140 & R82 WILL NOT BE INSTALLED AT ASSEMBLY, BUT AT MEMORY TEST, IF NEEDED.
 2. M8417-BA = M8417-66, 6C ETC = (32K X 12 BIT MEMORY).

CHK	CHANGE	NO	REV

FOR PARTS LIST
 SEE B-PL-M8417-0-0

ETCH REV. B
P.C. DESIGN DATA BASE REV. B1

SIGNATURES	DATE	TITLE	SIZE	CODE	NUMBER	REV
DRN. <i>P. Sullivan</i>	5-19-77	digital PDP 8 MOS MEMORY	0	UA	M8417-0-0	E
CHK'D. <i>James Sweeney</i>	5-17-77					
ENG. <i>John</i>	7-8-77					
PROJ. ENG. <i>John</i>	7-8-77					
PROD. <i>John</i>	7-8-77					

D UAM8417-0-0

A

1 MS#104716

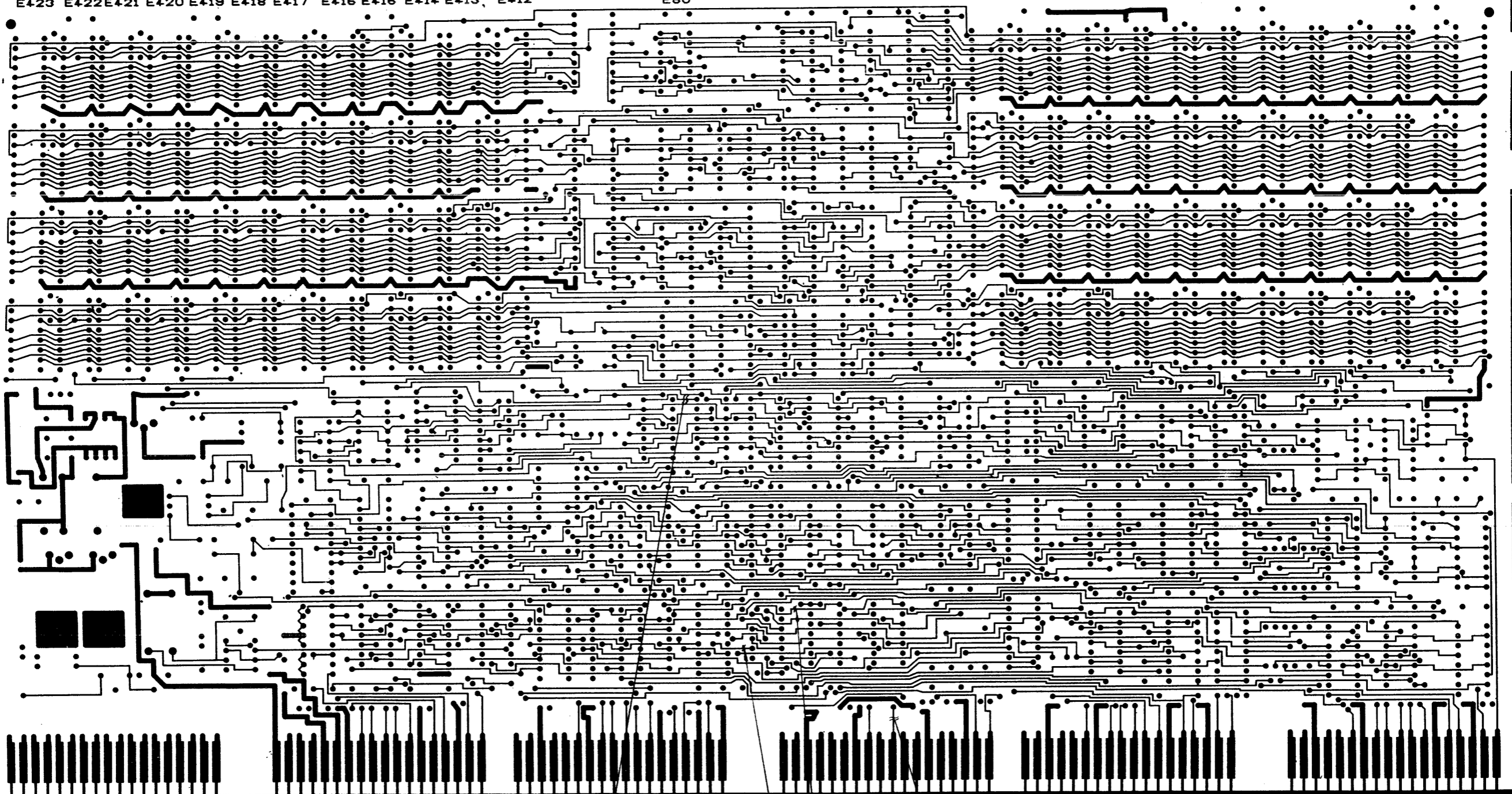
ALL INFORMATION CONTAINED HEREIN IS UNCLASSIFIED EXCEPT WHERE SHOWN OTHERWISE. DATE 07-10-2001 BY 60322 UCBAW/STP

L1

LAYER 1
M8417 5012701B

CS*ABCDEFGHIJKLMNPRS
E423 E422 E421 E420 E419 E418 E417 E416 E415 E414 E413 E412 E50 E37 E30 E411 E410 E409 E408 E407 E406 E405 E404 E403 E402 E401 E400

digital



REV	DATE
CHK	CHANGE NO

TITLE	PDP8 MOS MEMORY	SIZE CODE	D UA	NUMBER	M8417-0-0	REV.	E
SCALE	2/1	SHEET	3 OF 3	DIST.			

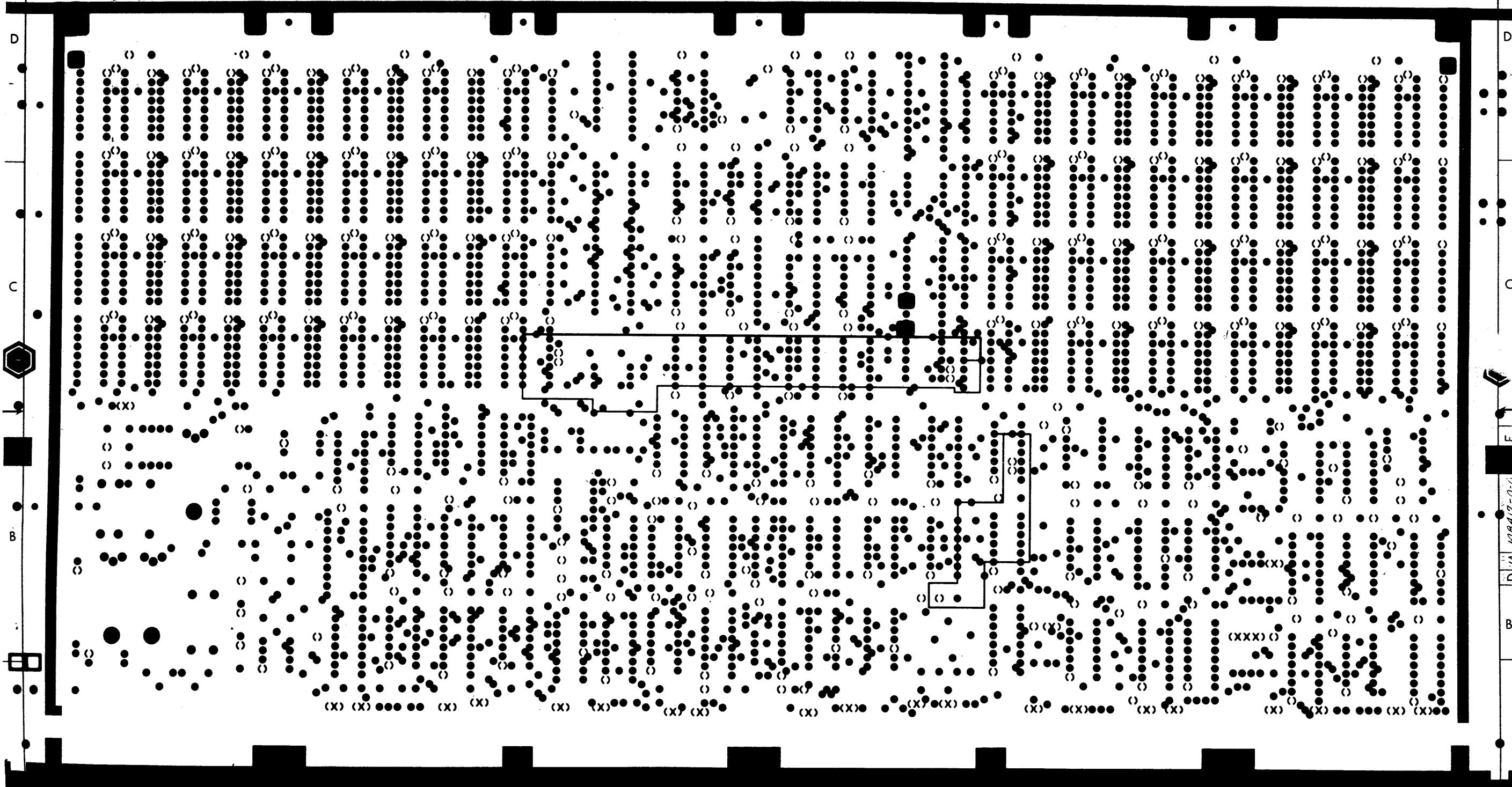
8 7 6 5 4 3 2 ML 1

LAYER 12

M8417 5012701B

THIS DRAWING AND THE INFORMATION HEREIN ARE THE PROPERTY OF DIGITAL EQUIPMENT CORPORATION AND SHALL NOT BE REPRODUCED OR COPIED OR USED IN WHOLE OR IN PART AS THE BASIS FOR THE MANUFACTURE OR SALE OF ITEMS WITHOUT WRITTEN PERMISSION. COPYRIGHT © 1977 DIGITAL EQUIPMENT CORPORATION.

L2 M8417B



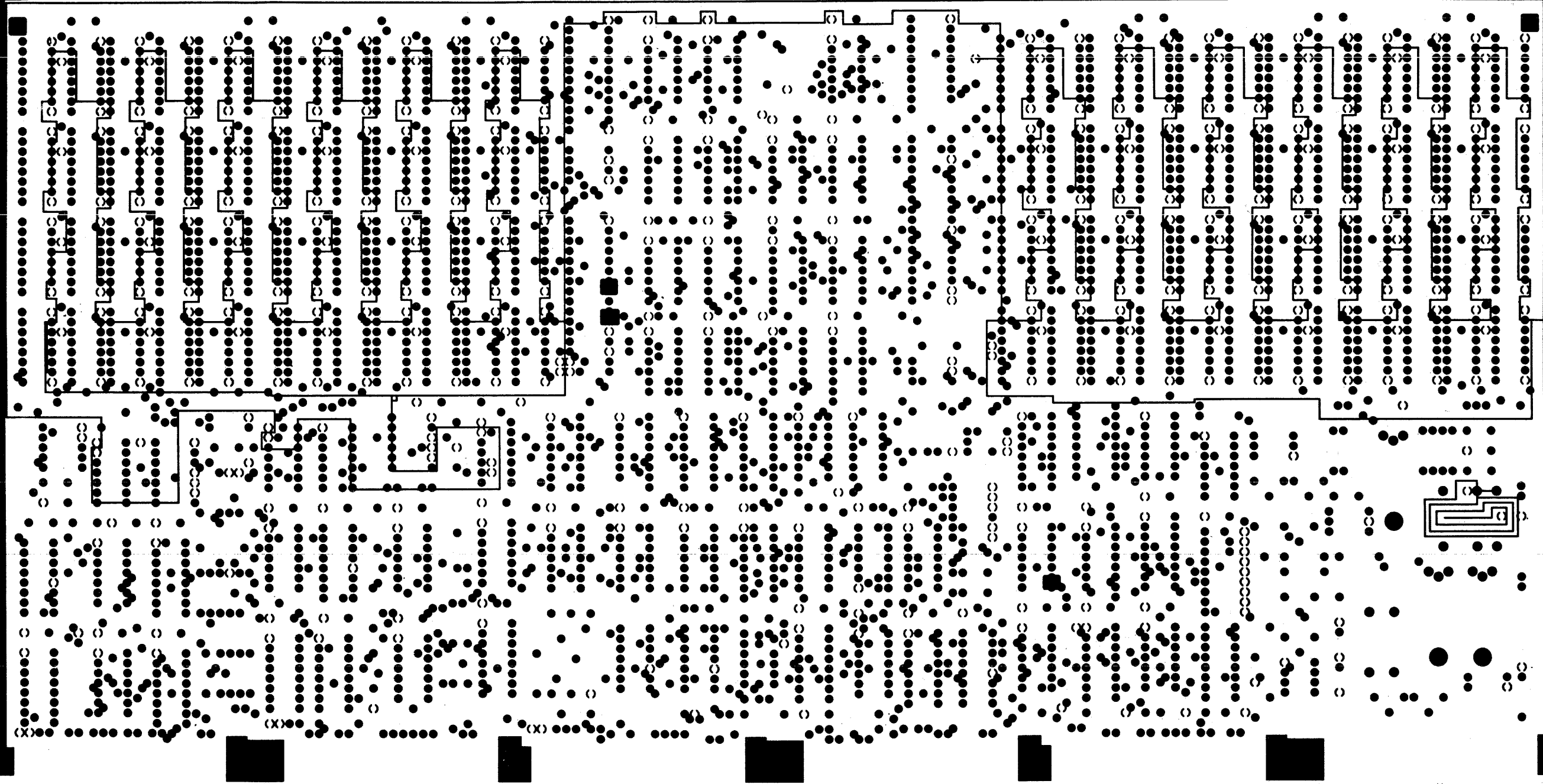
REVISIONS		
CHK	CHANGE NO	REV

TITLE	PDP 8 MOS MEMORY	SIZE CODE	DUA	NUMBER	M8417-0-0	REV.	E
SCALE	2/1	SHEET	4 OF 8	DIST.			

THIS DRAWING AND SPECIFICATIONS HEREIN ARE THE PROPERTY OF DIGITAL EQUIPMENT CORPORATION AND SHALL NOT BE REPRODUCED, COPIED OR USED IN WHOLE OR IN PART AS THE BASIS FOR THE MANUFACTURE OR SALE OF ITEMS WITHOUT WRITTEN PERMISSION. COPYRIGHT © 1977 DIGITAL EQUIPMENT CORPORATION.

E 934A J

M8417B L3



REVISIONS		
CHK	CHANGE NO	REV

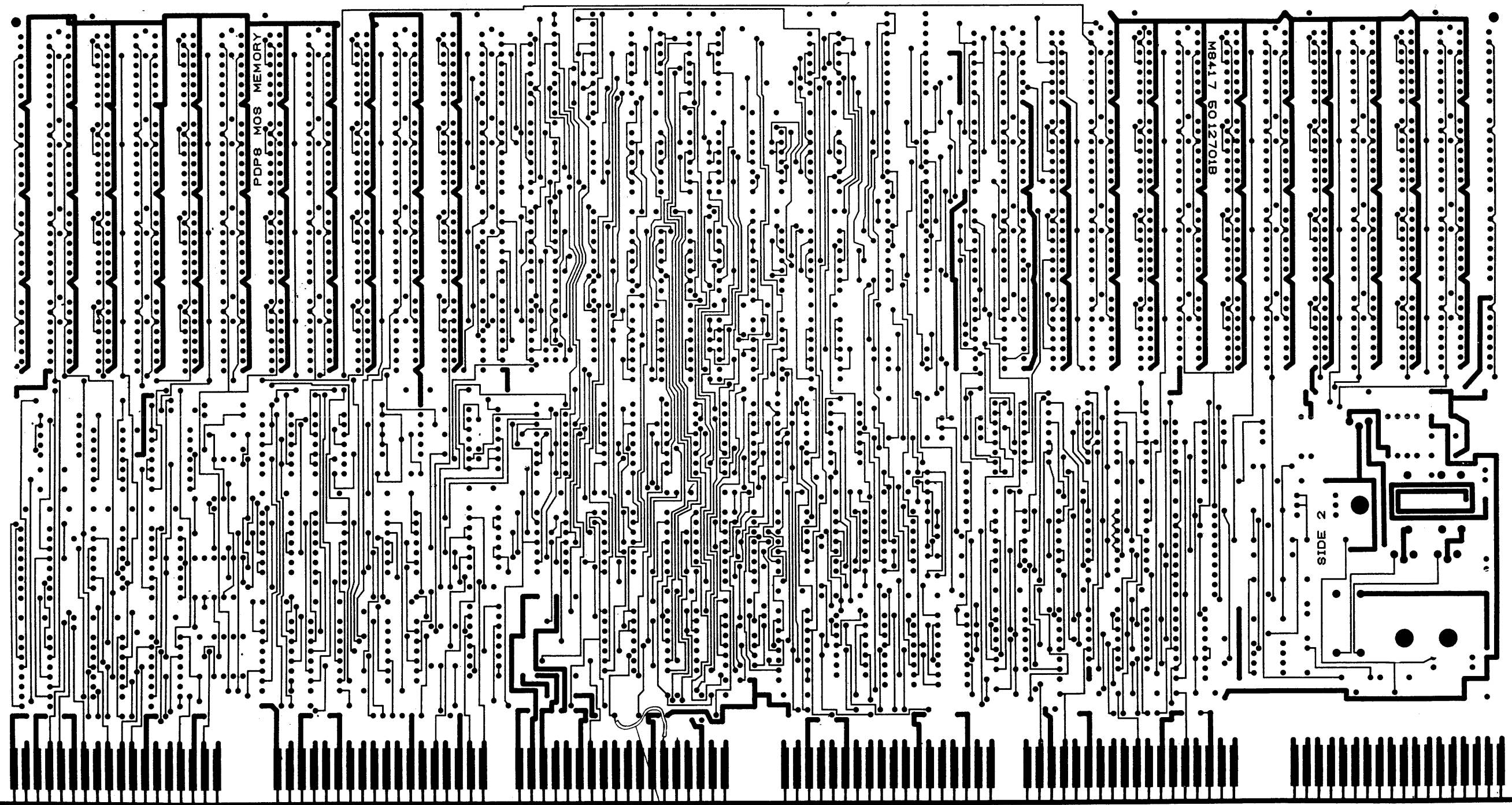
TITLE	PDP8 MOS MEMORY		SIZE CODE	D UA	NUMBER	M8417-0-0	REV.	E
SCALE	2/1	SHEET	5 OF 8	DIST.				

8 7 6 5 4 3 2 1

ALL DIMENSIONS AND SPECIFICATIONS HEREIN ARE THE PROPERTY OF DIGITAL EQUIPMENT CORPORATION AND SHALL NOT BE REPRODUCED OR USED IN WHOLE OR IN PART BY ANY OTHER ENTITY WITHOUT THE WRITTEN PERMISSION OF DIGITAL EQUIPMENT CORPORATION.

4 834AJ

L4



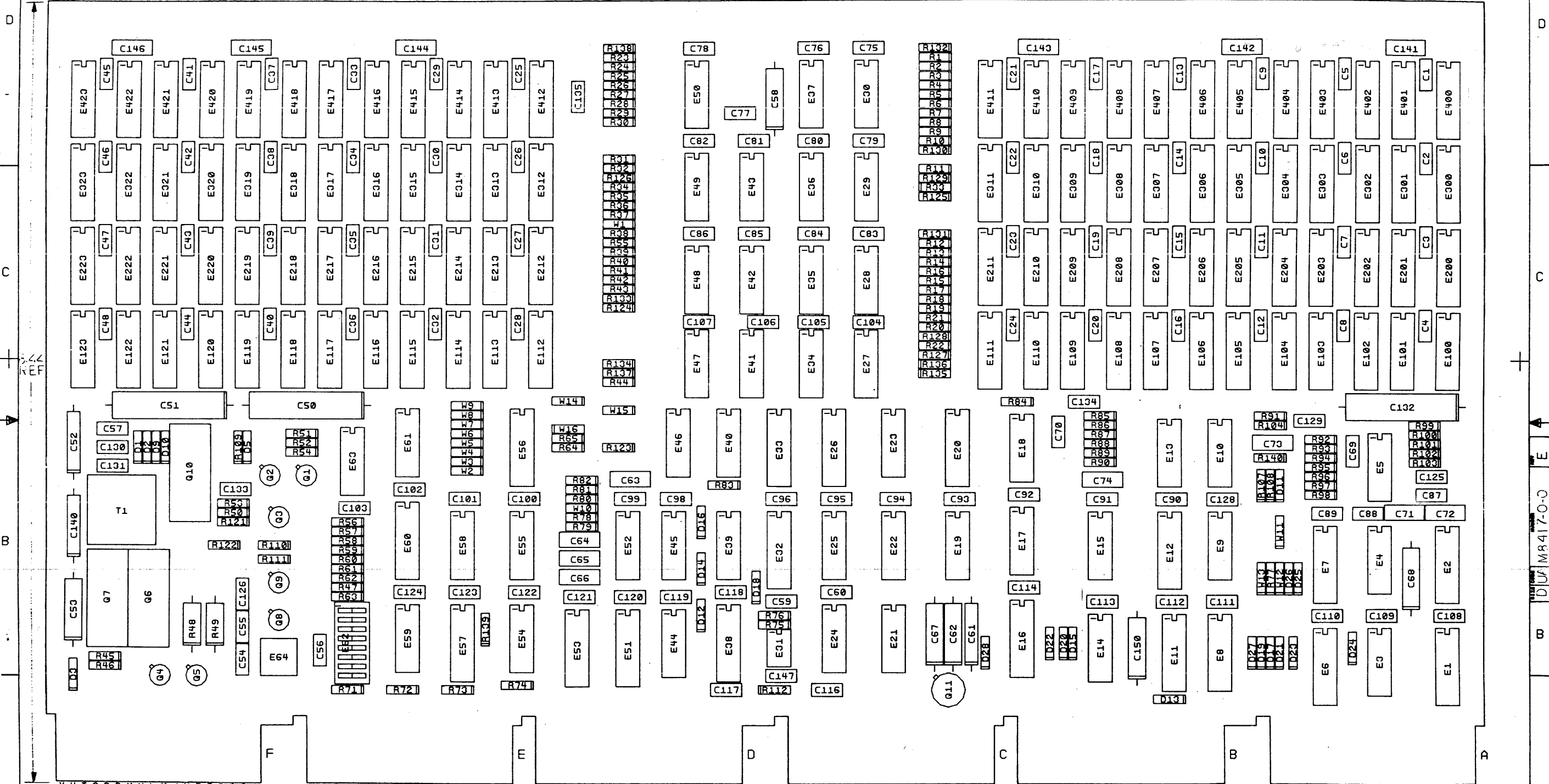
2-2

REVISIONS		
CHK	CHANGE NO	REV

TITLE	PDP8 MOS MEMORY		SIZE CODE	D UA	NUMBER	MB417-0-0	REV.	E
SCALE	E11	SHEET	6	OF	8	DIST.		

8 7 6 5 4 3 2 1

THIS DRAWING AND SPECIFICATIONS, HEREIN, ARE THE PROPERTY OF DIGITAL EQUIPMENT CORPORATION AND SHALL NOT BE REPRODUCED OR COPIED IN WHOLE OR IN PART OR THE WHOLE FOR THE MANUFACTURE OR SALE OF ITEMS WITHOUT WRITTEN PERMISSION. DIGITAL EQUIPMENT CORPORATION



NOTES:

CHK CHANGE NO REV

DWG-REF ONLY

SIGNATURES		DATE	digital
DRN. <i>J. Sullivan</i>		5-19-77	
CHK'D. <i>A. Sullivan</i>		5-19-77	TITLE PDP 8 MOS MEMORY
ENG. <i>[Signature]</i>		7/8/77	
PROJ. ENG. <i>[Signature]</i>		7/8/77	
PROD. <i>[Signature]</i>		7-8-77	
SCALE 2:1			SIZE CODE NUMBER D UA M8417-0-0
SHT. 7 OF 8			
NEXT HIGHER ASSY. b-11-M8417-0			REV E