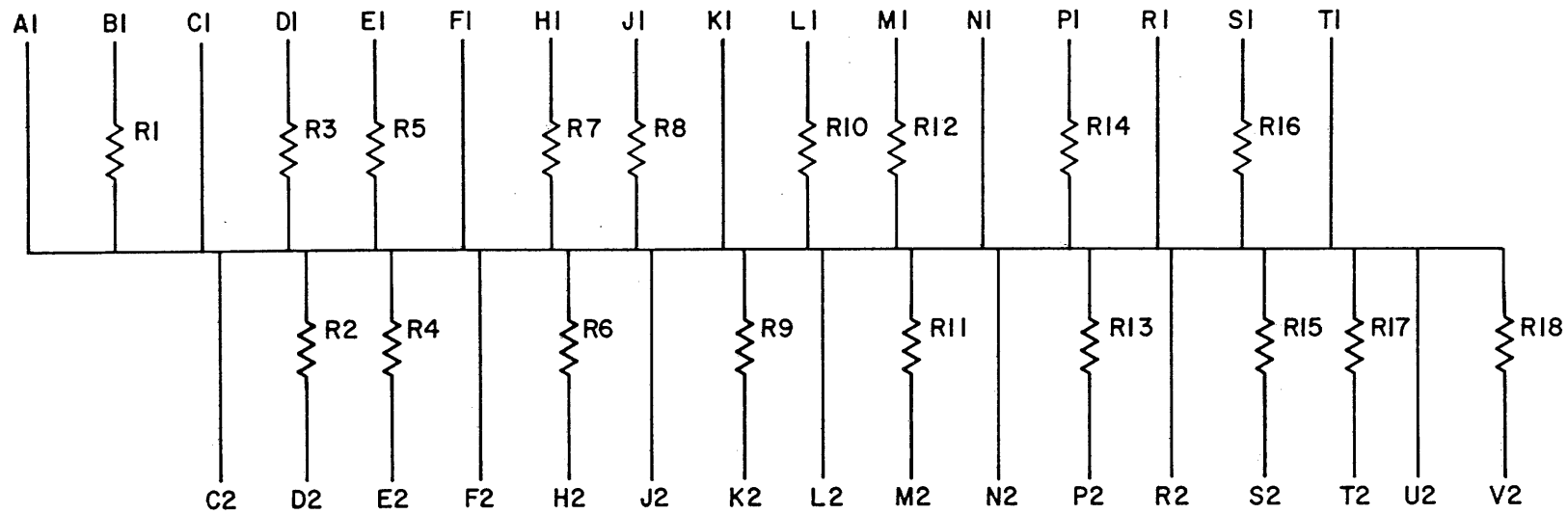


REV.	NUMBER	CODE	SIZE
	M902-YA-1	CS	B

THIS SCHEMATIC IS FURNISHED ONLY FOR TEST AND MAINTENANCE PURPOSES. THE CIRCUITS ARE PROPRIETARY IN NATURE AND SHOULD BE TREATED ACCORDINGLY. COPYRIGHT 1970 BY DIGITAL EQUIPMENT CORPORATION



UNLESS OTHERWISE INDICATED:
RESISTORS ARE 470, 1/4W, 5%

REVISIONS CHK CHG NO. REV.	DRN.	DATE	TRANSISTOR & DIODE CONVERSION CHART				digital EQUIPMENT CORPORATION MAYNARD, MASSACHUSETTS	TITLE			
	CHK'D	DATE	DEC	EIA	DEC	EIA		RESISTOR TERMINATOR M902-YA			
	ENG.	DATE						SIZE	CODE	NUMBER	REV.
	PROD.	DATE						B	CS	M902-YA-1	
							PRINTED CIRCUIT REV.			A	