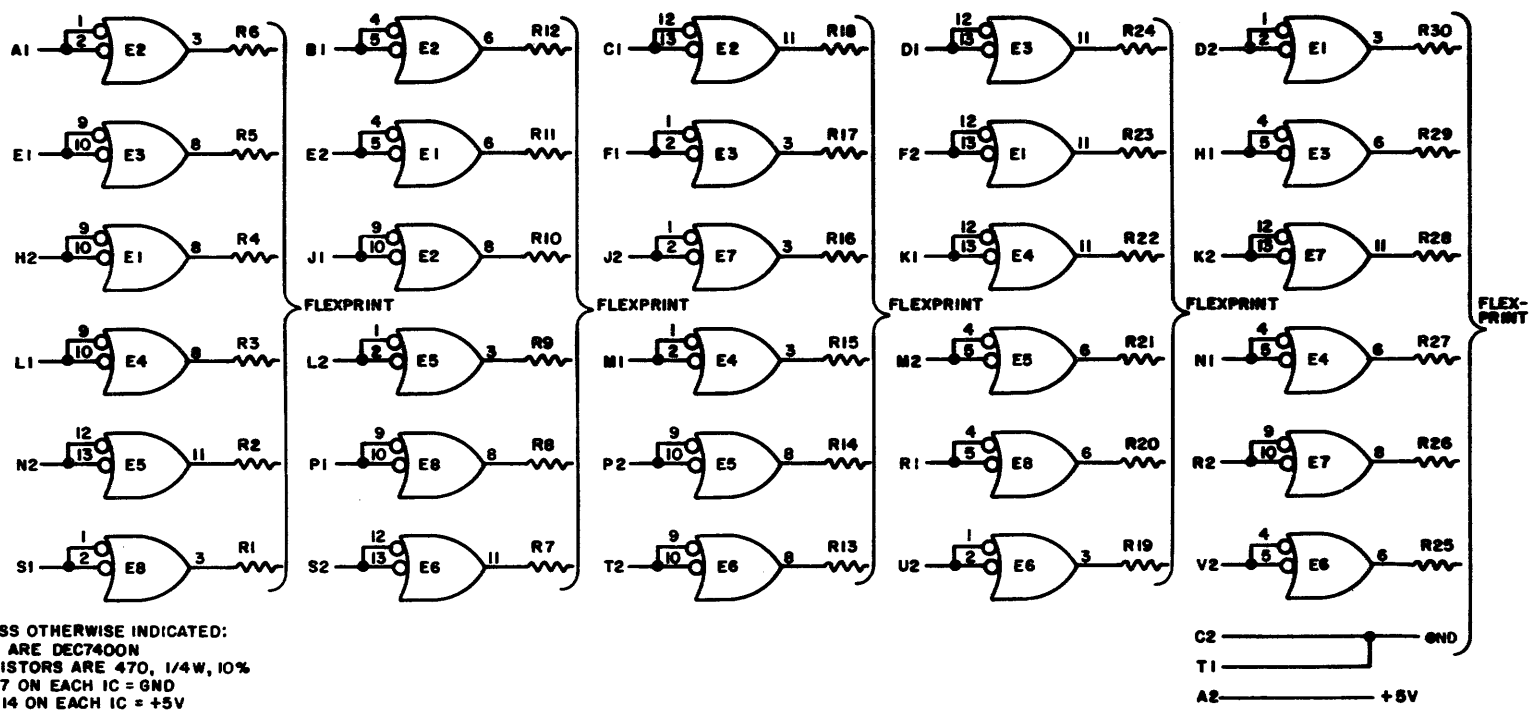


THIS SCHEMATIC IS FURNISHED ONLY FOR TEST AND MAINTENANCE PURPOSES. THE CIRCUITS ARE PROPRIETARY IN NATURE AND SHOULD BE TREATED ACCORDINGLY. COPYRIGHT 1967 BY DIGITAL EQUIPMENT CORPORATION



UNLESS OTHERWISE INDICATED:  
 IC'S ARE DEC7400N  
 RESISTORS ARE 470, 1/4W, 10%  
 PIN 7 ON EACH IC = GND  
 PIN 14 ON EACH IC = +5V

PARTS LIST IS A-PL-M900-0-0

REVISIONS CHK. CHG. NO. REV. 1/25 00001 A 1/25 00002 B	DRW. <i>Dr. Miller</i> DATE 7-8-67	TRANSISTOR & DIODE CONVERSION CHART				TITLE <b>PDP-8-I CONSOLE                  CONNECTOR M900</b>	SIZE B CS	NUMBER M900-0-1	REV. B
	CHG'D <i>D. Johnson</i> DATE 7/15/67	DEC    EIA    DEC    EIA	EQUIPMENT CORPORATION MAYNARD, MASSACHUSETTS						