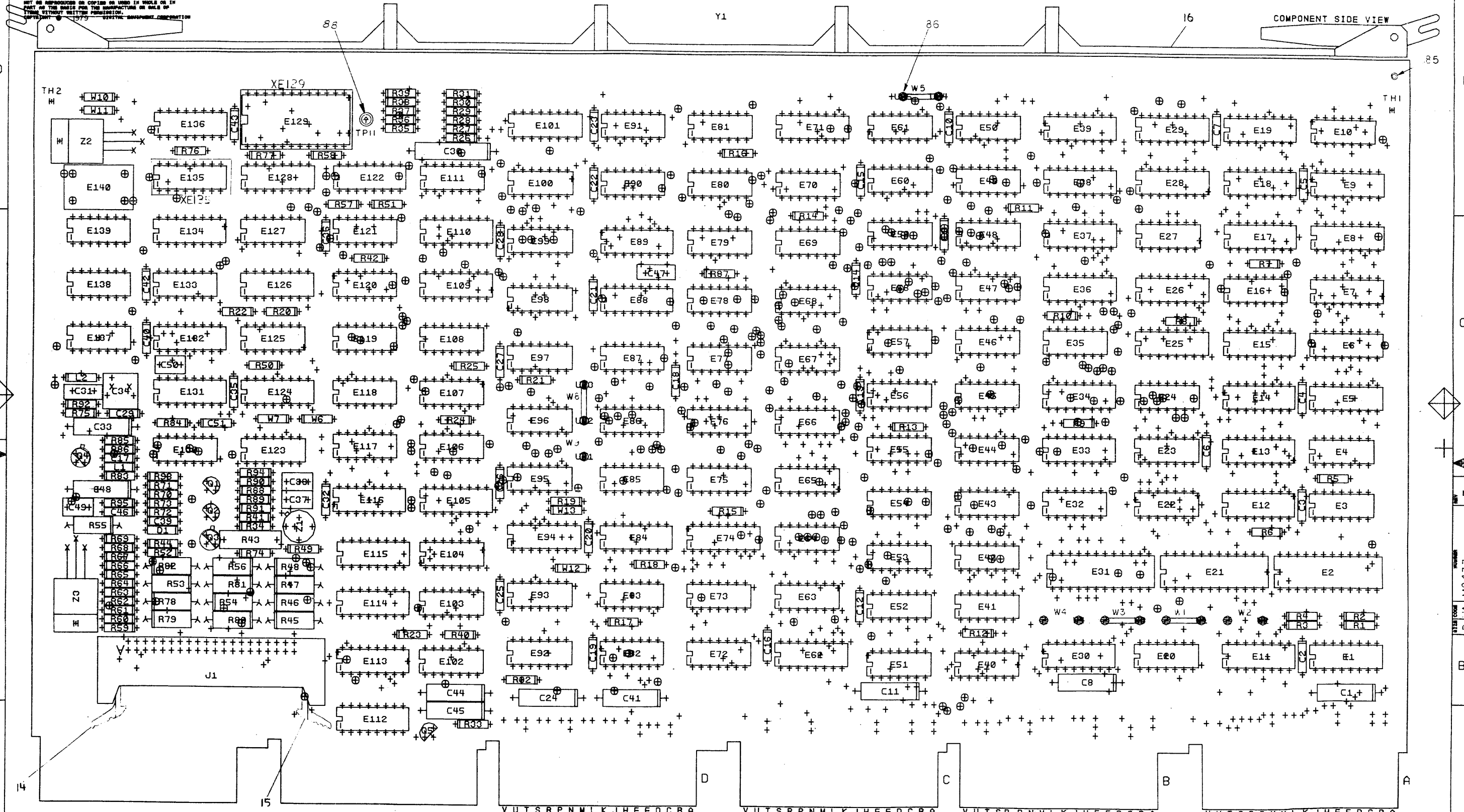


THIS DRAWING AND SPECIFICATIONS, HEREIN, ARE THE PROPERTY OF DIGITAL EQUIPMENT CORPORATION AND SHALL NOT BE REPRODUCED OR COPIED IN WHOLE OR IN PART FOR THE BUILDING OF THIS EQUIPMENT OR FOR THE REPAIR OF THIS EQUIPMENT WITHOUT WRITTEN PERMISSION OF DIGITAL EQUIPMENT CORPORATION.



NOTES: CUSTOMER OPTION: W2, W4, W6, W9, W11, W13.

STEP	↑ Y AXIS	NO	STEP	TIMES
REPEAT	→ X AXIS	NO	STEP	TIMES

CHANGE NO	REV
REVISION	F
REWORK	
ML 105	

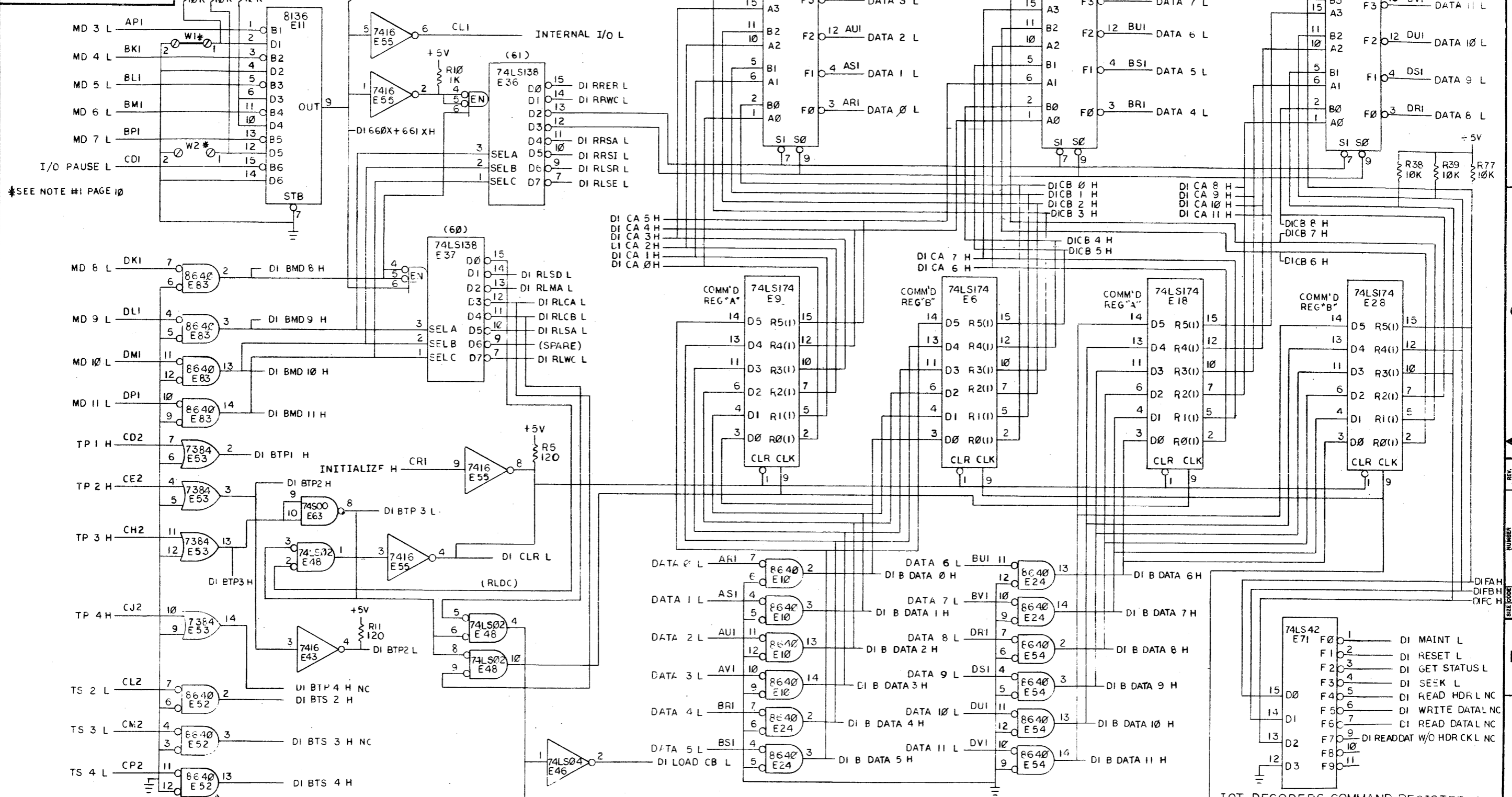
ETCH REV. C-P4

SIGNATURES		DATE
DRN. ...		12-14-77
CHK'D.		
MECH. ENG.		
PROD.		
SCALE 2:1		
SHT. 1 OF 1		
NEXT HIGHER ASSY. 13-0-1112-1		

digital
 TITLE RL01/2 DISK
 CONTROLLER BOARD
 SIZE CODE NUMBER REV
 DUA M8433-7-7 E

"THIS DRAWING AND SPECIFICATIONS, HEREIN, ARE THE PROPERTY OF DIGITAL EQUIPMENT CORPORATION AND SHALL NOT BE REPRODUCED OR COPIED OR USED IN WHOLE OR IN PART AS THE BASIS FOR THE MANUFACTURE OR SALE OF ITEMS WITHOUT WRITTEN PERMISSION. COPYRIGHT © 1977, DIGITAL EQUIPMENT CORPORATION"

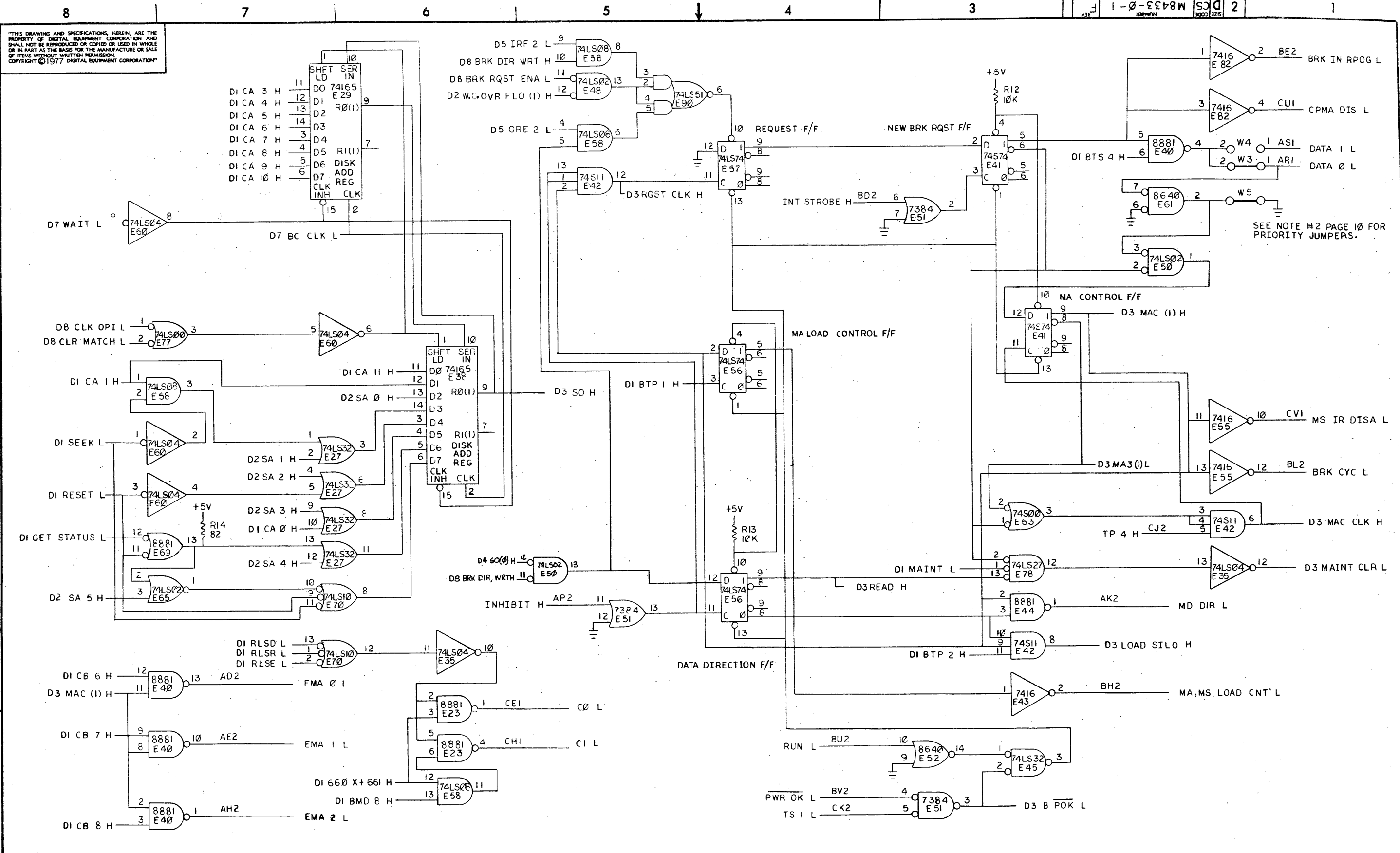
NOTE: UNLESS OTHERWISE STATED ALL IC'S SHOWN AS 'LSXXX' ARE 74 #S



REV.	CHG. NO.	DATE	BY	CHKD.
B	18433-0001	1/21/78	P. SCANTLEBURY	P. SCANTLEBURY
C	18433-0002	1/21/78	P. SCANTLEBURY	P. SCANTLEBURY
D	18433-ML003	1/21/78	P. SCANTLEBURY	P. SCANTLEBURY
E	18433-ML004	1/21/78	P. SCANTLEBURY	P. SCANTLEBURY
F	18433-ML005	1/21/78	P. SCANTLEBURY	P. SCANTLEBURY

DRN	12/9/77	FIRST USED ON	RL01
CHK'D	1/21/78	TITLE	RL01/RL02 DISK CONTROLLER
ENG.	1/21/78	SCALE	NONE
PROJ. ENG.	1/21/78	SHEET	1 OF 10
PROD.	1/21/78	DIST.	
NEXT HIGHER ASSY.		SIZE CODE	D CS
D-UA-M8433-0-0		NUMBER	M8433-0-1
		REV.	F

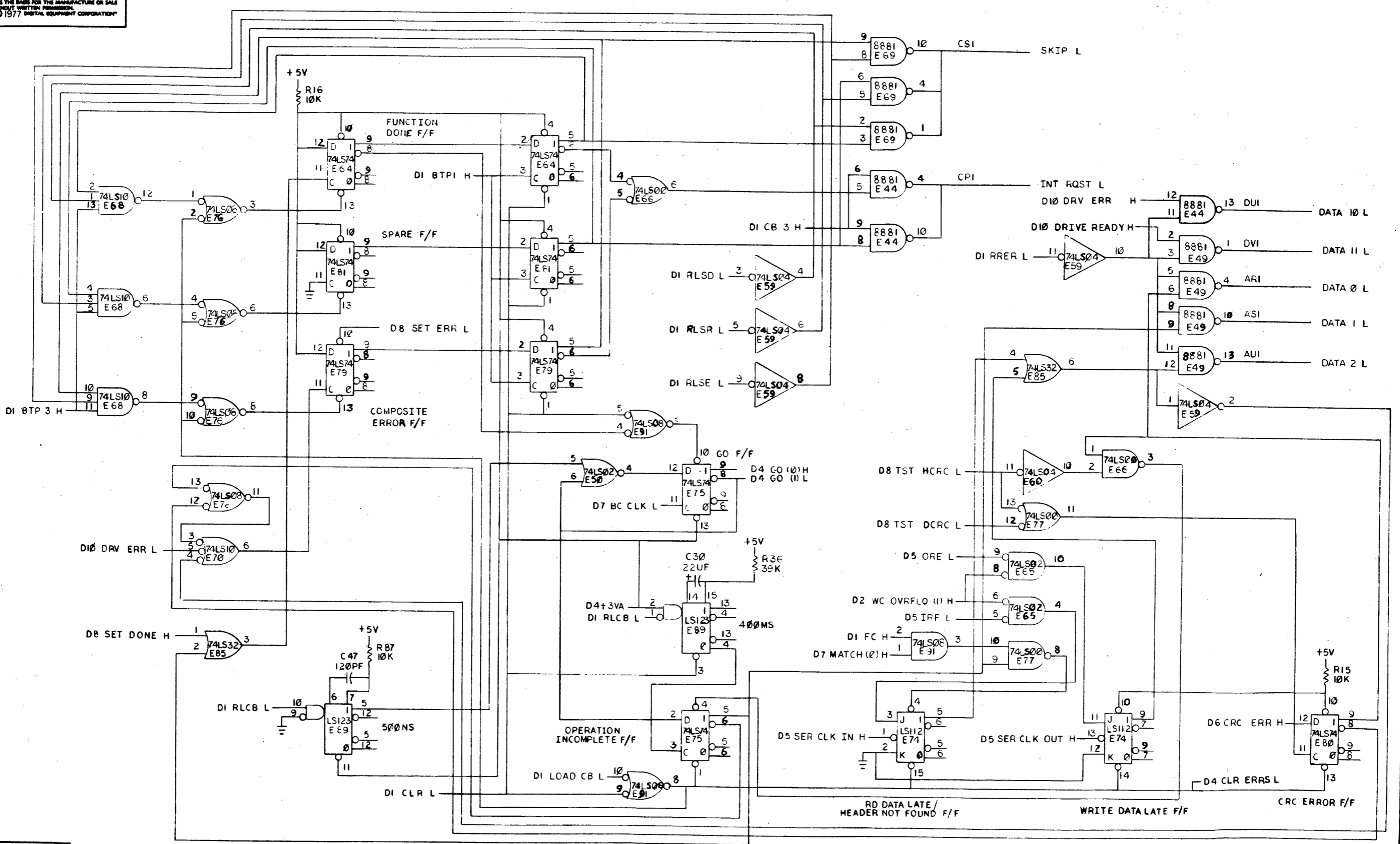
"THIS DRAWING AND SPECIFICATIONS, HEREIN, ARE THE PROPERTY OF DIGITAL EQUIPMENT CORPORATION AND SHALL NOT BE REPRODUCED OR COPIED OR USED IN WHOLE OR IN PART AS THE BASIS FOR THE MANUFACTURE OR SALE OF ITEMS WITHOUT WRITTEN PERMISSION. COPYRIGHT © 1977 DIGITAL EQUIPMENT CORPORATION"



REVISIONS		
CHK	CHANGE NO.	REV.

DISK ADDRESS REGISTER & DATA BREAK CONTROL			
TITLE	RL01/RL02 DISK CONTROLLER (D3)	SIZE CODE	NUMBER
SCALE	NONE	SHEET 3 OF 10	ML
DIST.			

THIS DRAWING AND SPECIFICATIONS HEREIN ARE THE PROPERTY OF DIGITAL EQUIPMENT CORPORATION AND SHALL NOT BE REPRODUCED OR COPIED OR USED IN WHOLE OR IN PART AS THE BASIS FOR THE MANUFACTURE OR SALE OF ITEMS WITHOUT WRITTEN PERMISSION. COPYRIGHT © 1977 DIGITAL EQUIPMENT CORPORATION

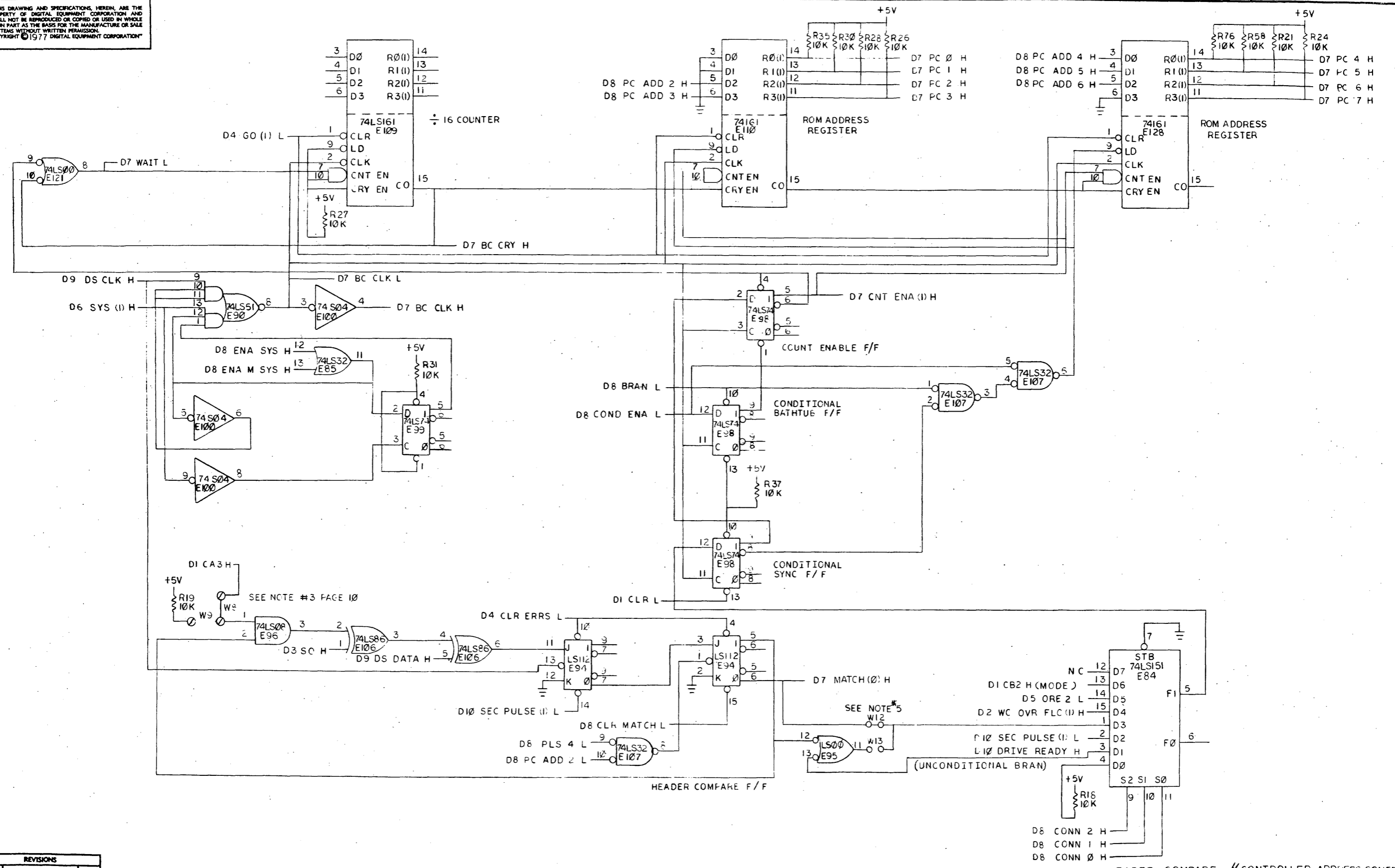


STATUS & ERROR FLAGS WITH SKIP & INTERRUPT GATES ERROR REGISTER

REVISIONS		
CHK	CHANGE NO.	REV.

TITLE	RLO1/RLO2 DISK CONTROLLER (D4)	SIZE CODE	DCS	NUMBER	M8433-0-1	REV.	F
SCALE	NONE	SHEET	4 OF 12	DIST.			

"THIS DRAWING AND SPECIFICATIONS, HEREIN, ARE THE PROPERTY OF DIGITAL EQUIPMENT CORPORATION AND SHALL NOT BE REPRODUCED OR COPIED OR USED IN WHOLE OR IN PART AS THE BASIS FOR THE MANUFACTURE OR SALE OF ITEMS WITHOUT WRITTEN PERMISSION. COPYRIGHT © 1977 DIGITAL EQUIPMENT CORPORATION"



REVISIONS		
CHK	CHANGE NO.	REV.

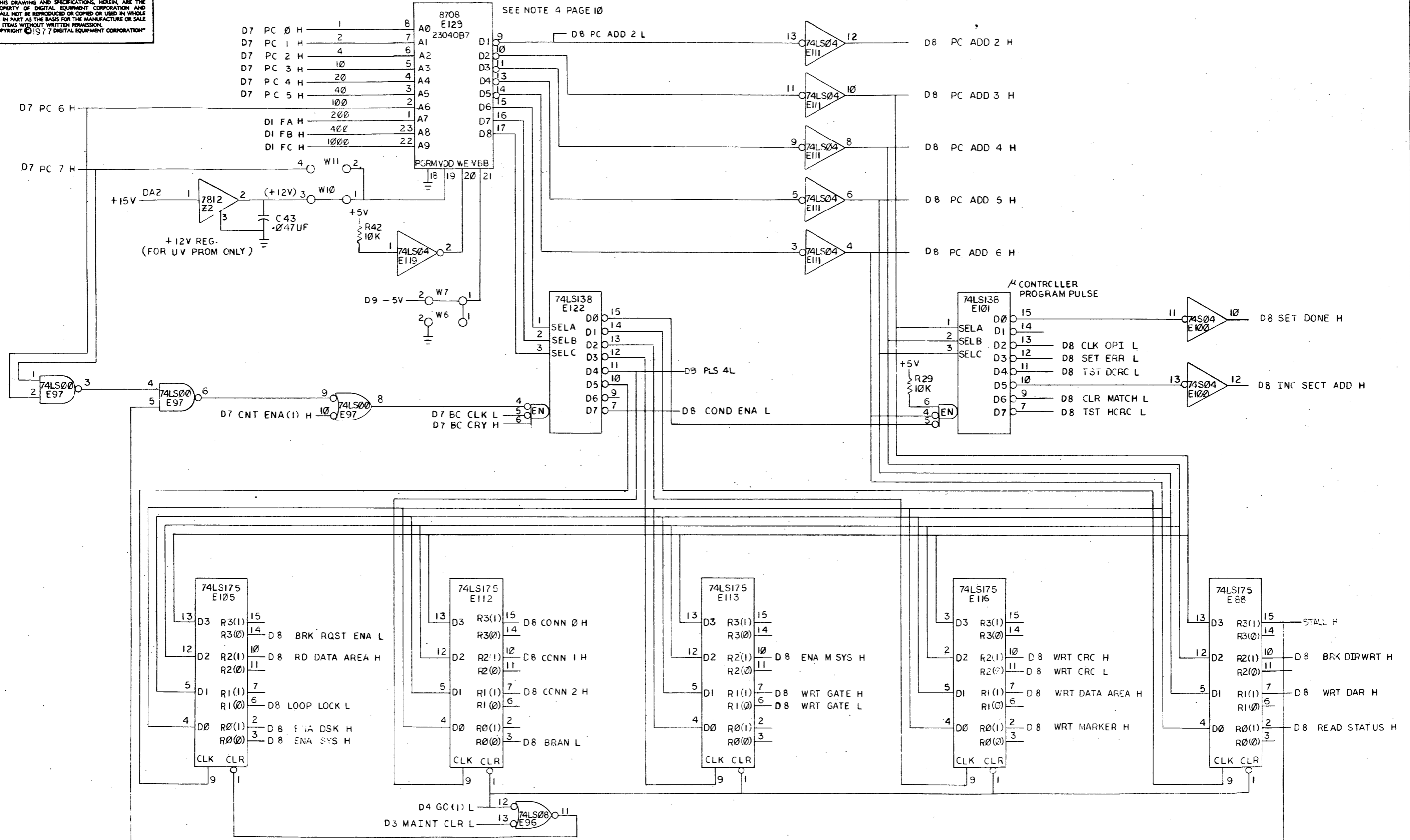
BIT COUNT CLOCK, HEADER COMPARE, CONTROLLER ADDRESS CONTROL

TITLE	RL01/RL12 DISK CONTROLLER (D7)	SIZE CODE	DCS	NUMBER	148-133-0-1	REV.	F
SCALE	NONE	SHEET	7	OF	10	DIST.	

THIS DRAWING AND SPECIFICATIONS HEREIN ARE THE PROPERTY OF DIGITAL EQUIPMENT CORPORATION AND SHALL NOT BE REPRODUCED OR COPIED OR USED IN WHOLE OR IN PART AS THE BASIS FOR THE MANUFACTURE OR SALE OF ITEMS WITHOUT WRITTEN PERMISSION. COPYRIGHT © 1977 DIGITAL EQUIPMENT CORPORATION

D7 PC 0 H	1	8	A0
D7 PC 1 H	2	7	A1
D7 PC 2 H	4	6	A2
D7 PC 3 H	10	5	A3
D7 PC 4 H	20	4	A4
D7 PC 5 H	40	3	A5
D7 PC 6 H	100	2	A6
DI FA H	200	1	A7
DI FB H	400	23	A8
DI FC H	1000	22	A9

SEE NOTE 4 PAGE 10

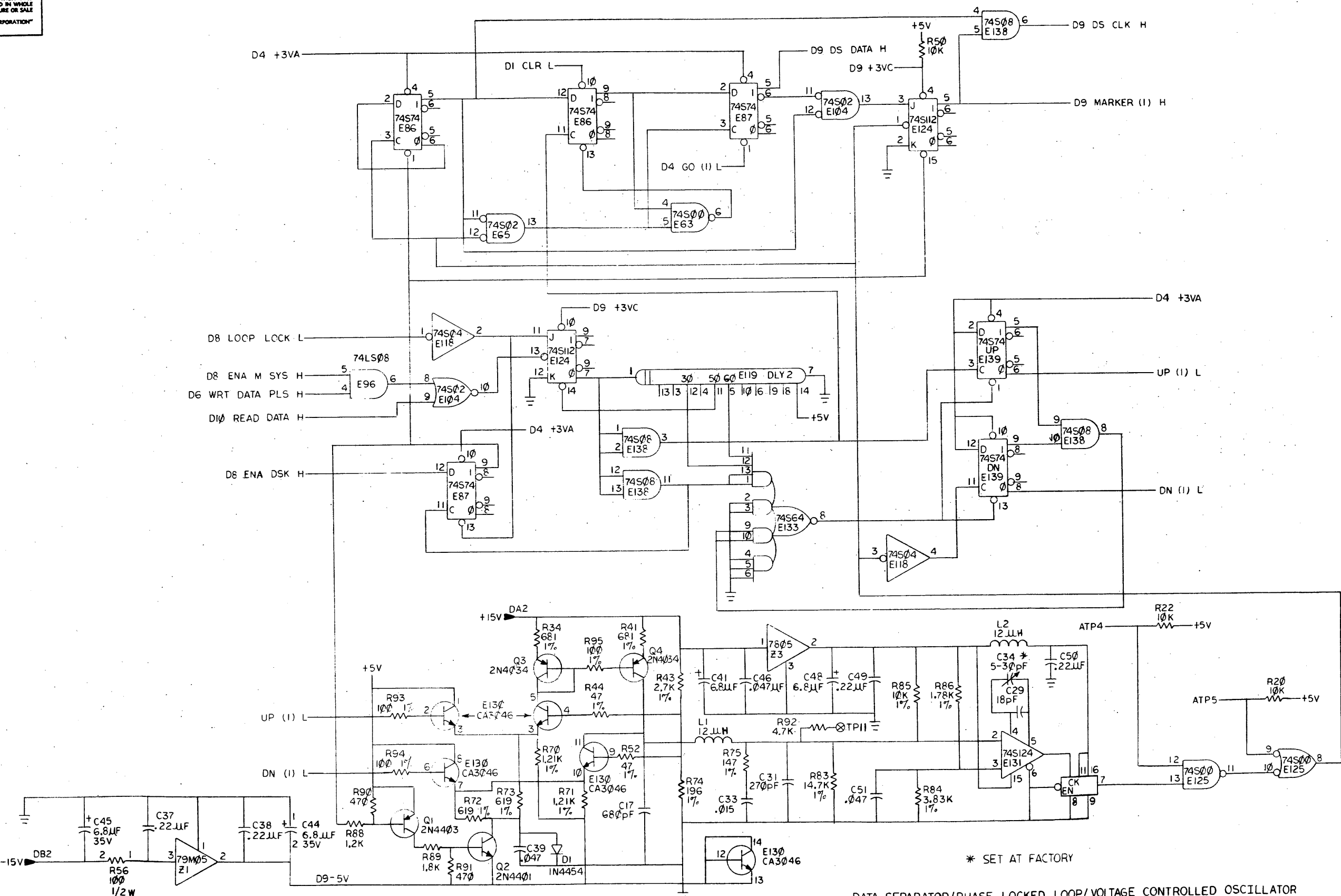


CHK	CHANGE NO.	REV.

CONTROLLER ROM, INSTRUCTION STORE, PROGRAM PULSES

TITLE	RL21/R02 DISK CONTROLLER (D8)	SIZE CODE	DCS	NUMBER	M8433-0-1	REV.	F
SCALE	NCNE	SHEET	8 OF 14	DIST.			

"THIS DRAWING AND SPECIFICATIONS, HEREIN, ARE THE PROPERTY OF DIGITAL EQUIPMENT CORPORATION AND SHALL NOT BE REPRODUCED OR COPIED OR USED IN WHOLE OR IN PART AS THE BASIS FOR THE MANUFACTURE OR SALE OF ITEMS WITHOUT WRITTEN PERMISSION. COPYRIGHT © 1980 DIGITAL EQUIPMENT CORPORATION"



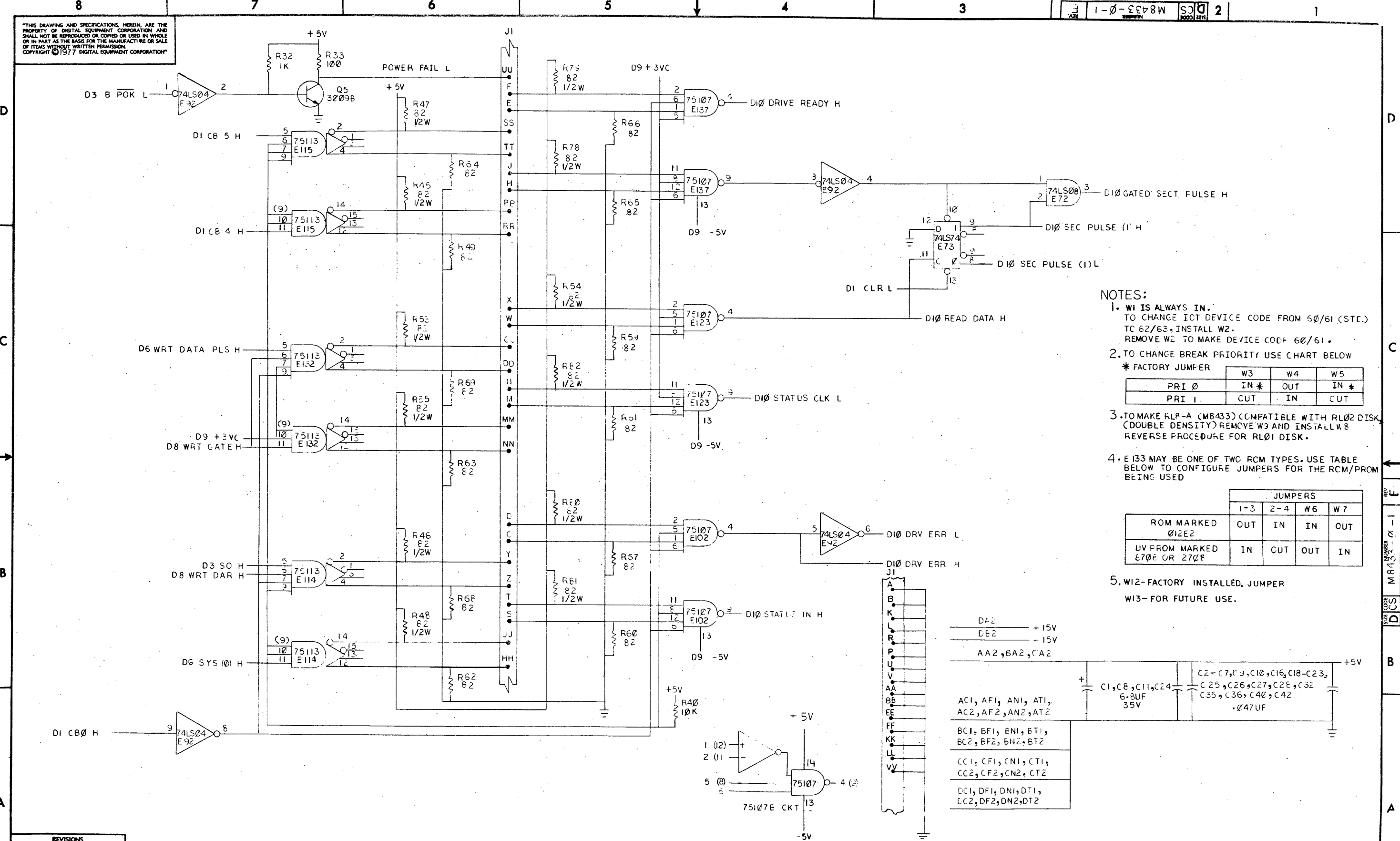
* SET AT FACTORY

DATA SEPARATOR/PHASE LOCKED LOOP/VOLTAGE CONTROLLED OSCILLATOR

REVISIONS		
CHK	CHANGE NO.	REV.

TITLE	RL01/RL02 DISK CONTROLLER (D9)	SIZE CODE	NUMBER	REV.
SCALE	NONE	SHEET	9 OF 10	F

"THIS DRAWING AND SPECIFICATIONS, HEREIN, ARE THE PROPERTY OF DIGITAL EQUIPMENT CORPORATION AND SHALL NOT BE REPRODUCED OR COPIED OR USED IN WHOLE OR IN PART AS THE BASIS FOR THE MANUFACTURE OR SALE OF ITEMS WITHOUT WRITTEN PERMISSION. COPYRIGHT © 1977 DIGITAL EQUIPMENT CORPORATION"



- NOTES:**
- W1 IS ALWAYS IN.
TO CHANGE ICT DEVICE CODE FROM 50/61 (STD.) TO 62/63, INSTALL W2.
REMOVE W2 TO MAKE DEVICE CODE 60/61.
 - TO CHANGE BREAK PRIORITY USE CHART BELOW
* FACTORY JUMPER
 - TO MAKE RLP-A (M8433) COMPATIBLE WITH RL02 DISK (DOUBLE DENSITY) REMOVE W3 AND INSTALL W8 REVERSE PROCEDURE FOR RL01 DISK.
 - E 133 MAY BE ONE OF TWO RCM TYPES. USE TABLE BELOW TO CONFIGURE JUMPERS FOR THE RCM/PROM BEING USED

	W3	W4	W5
PRI 0	IN *	OUT	IN *
PRI 1	CUT	IN	CUT

ROM MARKED	JUMPERS			
	1-3	2-4	W6	W7
012E2	OUT	IN	IN	OUT
UV FROM MARKED 070E OR 270E	IN	OUT	OUT	IN

DA2 +15V
DE2 -15V
AA2, BA2, CA2

AC1, AF1, AN1, AT1, AC2, AF2, AN2, AT2	C1, C8, C11, C24 6.8UF 35V	C2-C7, C9, C10, C16, C18-C23, C25, C26, C27, C28, C32, C35, C36, C40, C42 .247UF	+5V
BC1, BF1, BN1, BT1, BC2, BF2, BN2, BT2			
CC1, CF1, CN1, CT1, CC2, CF2, CN2, CT2			
DC1, DF1, DN1, DT1, DC2, DF2, DN2, DT2			

DISK BUS DRIVERS AND RECEIVERS

REVISIONS		
CHK	CHANGE NO.	REV.