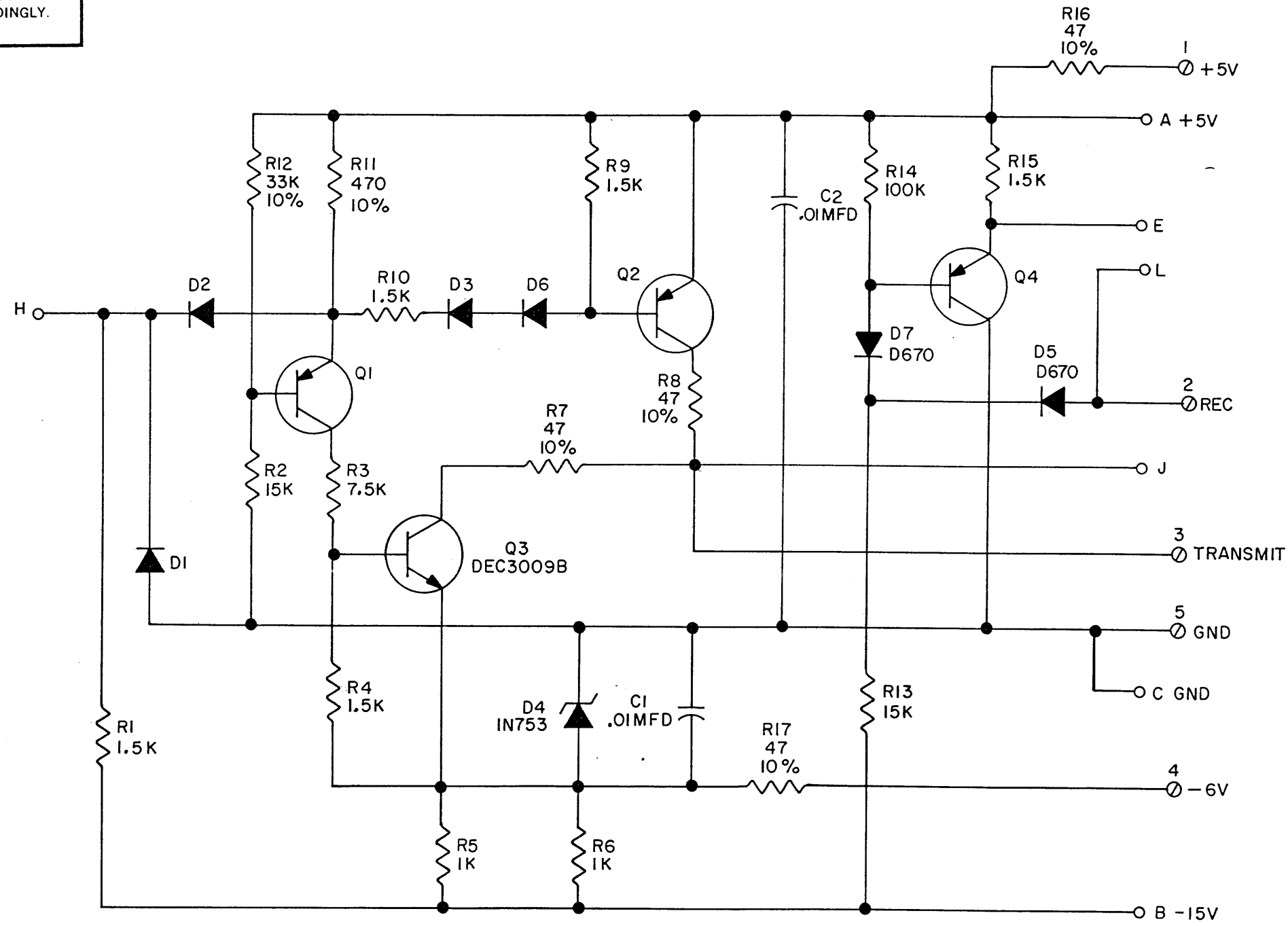


THIS SCHEMATIC IS FURNISHED ONLY FOR TEST AND MAINTENANCE PURPOSES. THE CIRCUITS ARE PROPRIETARY IN NATURE AND SHOULD BE TREATED ACCORDINGLY. COPYRIGHT 1969 BY DIGITAL EQUIPMENT CORPORATION



UNLESS OTHERWISE INDICATED:
 Ⓞ ARE SPLIT LUGS
 RESISTORS ARE 1/4W, 5%
 DIODES ARE D664
 TRANSISTORS ARE DEC6534B

REVISIONS	CHK	CHG NO.	REV.	
	ADM	00001	A	
DRN.	DATE	TRANSISTOR & DIODE CONVERSION CHART		
BYTLER	6/2/69	DEC	EIA	DEC
CHK'D	DATE	DEC6534B	MPS6534	
M. W. ...	6/3/69	DEC3009B	2N3009	
ENG.	DATE	D664	IN3606	
Low...	6/3/69	D670	IN3653	
PROD.	DATE			
	8/1/69			
TITLE		SIZE	CODE	NUMBER
CONVERTER AND CABLE CONNECTOR M850		B	CS	M850-0-1
EQUIPMENT CORPORATION		PRINTED CIRCUIT REV.	A	REV. A
MAYNARD, MASSACHUSETTS				