

THIS DRAWING AND SPECIFICATIONS, HEREIN, ARE THE PROPERTY OF ELECTRA EQUIPMENT CORPORATION AND SHALL NOT BE REPRODUCED OR COPIED IN WHOLE OR IN PART WITHOUT WRITTEN PERMISSION. ELECTRA EQUIPMENT CORPORATION

COMPONENT SIDE VIEW

2-1



NOTES: MODULE REWORK AT RELEASE
ETCH CUT SIDE 2 OF 1 BETWEEN
DA2 & 2 FEEDTHRU NEAR C16

CHANGE NO	REV	DATE	BY	CHK'D
1	1	10/17	W. K. KENYON	W. K. KENYON
2	1	10/17	W. K. KENYON	W. K. KENYON
3	1	10/17	W. K. KENYON	W. K. KENYON
4	1	10/17	W. K. KENYON	W. K. KENYON
5	1	10/17	W. K. KENYON	W. K. KENYON
6	1	10/17	W. K. KENYON	W. K. KENYON
7	1	10/17	W. K. KENYON	W. K. KENYON
8	1	10/17	W. K. KENYON	W. K. KENYON
9	1	10/17	W. K. KENYON	W. K. KENYON
10	1	10/17	W. K. KENYON	W. K. KENYON

ETCH REV.	C
P.C. DESIGN DATA BASE REV.	C

SIGNATURES	DATE	TITLE
DRN. W. K. KENYON	10/17	digital
CHK'D. W. K. KENYON	10/17	
ENG. R. ROY	10/17	
PROJ. ENG. R. ROY	10/17	
PROD. W. K. KENYON	10/17	
SCALE 2/1		
SHT. 1 OF 6		
NEXT HIGHER ASSY. KM 8B		

TITLE FDP8 MEMORY
MANAGEMENT BOARD

SIZE CODE NUMBER REV
0 UA M8416-0-0 D

CS*ABCDEFGHIJKLMNPRS

SIDE 1

digital

E107

E97

E89

E80

E70

E60

E50

E40

E33

E24

E18

E10

J1
E122

E116

1-2

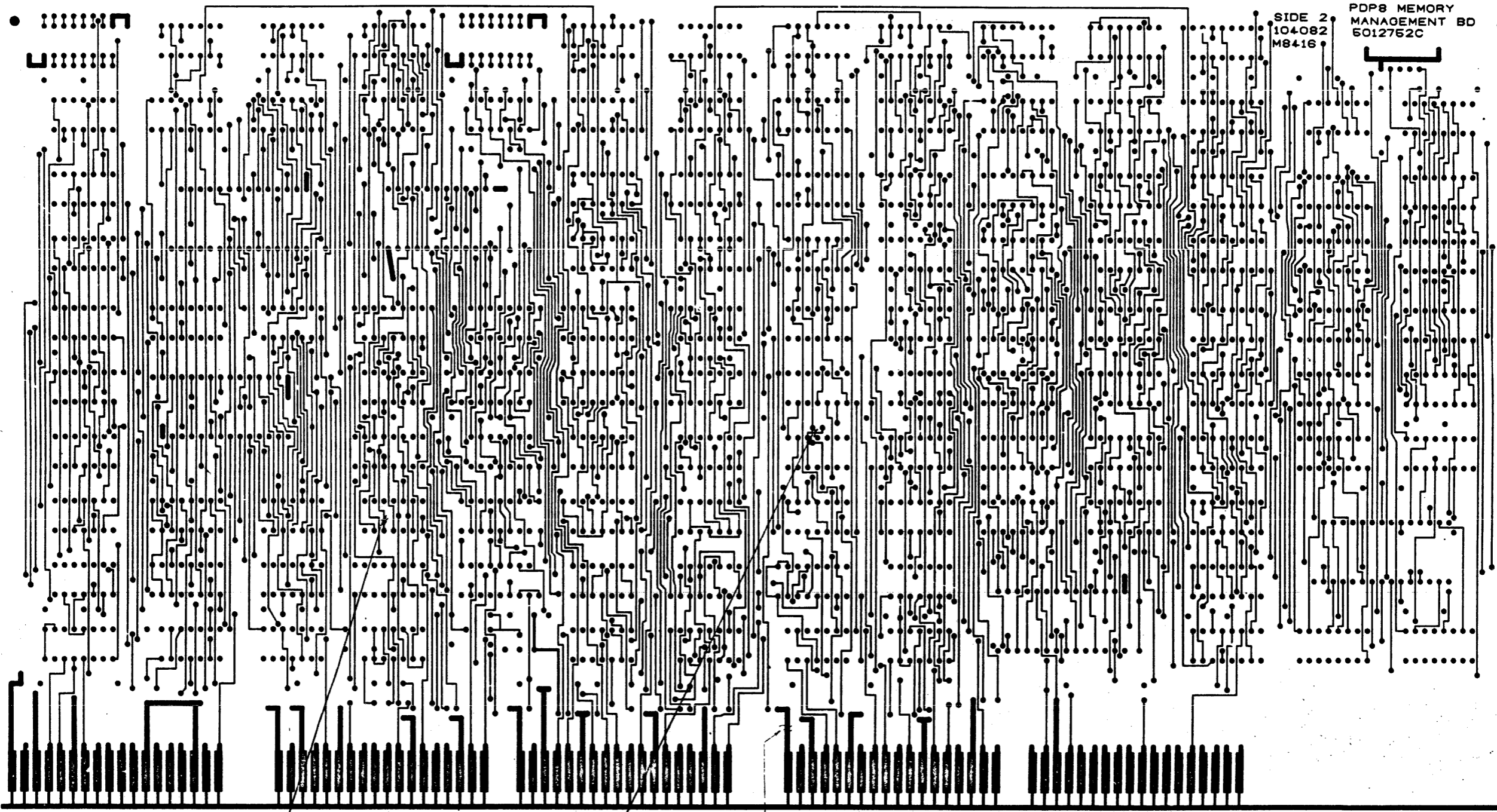
1-1

VIEWED FROM SIDE 1

REVISIONS		
CHK	CHANGE NO	REV

TITLE	MANAGEMENT BOARD	SIZE CODE	DUA	NUMBER	M8416-4-D	REV	D
SCALE	1:1	SHEET	3	OF 6	DIST		

SIDE 2
104-082
M8416
PDP8 MEMORY
MANAGEMENT BD
5012752C

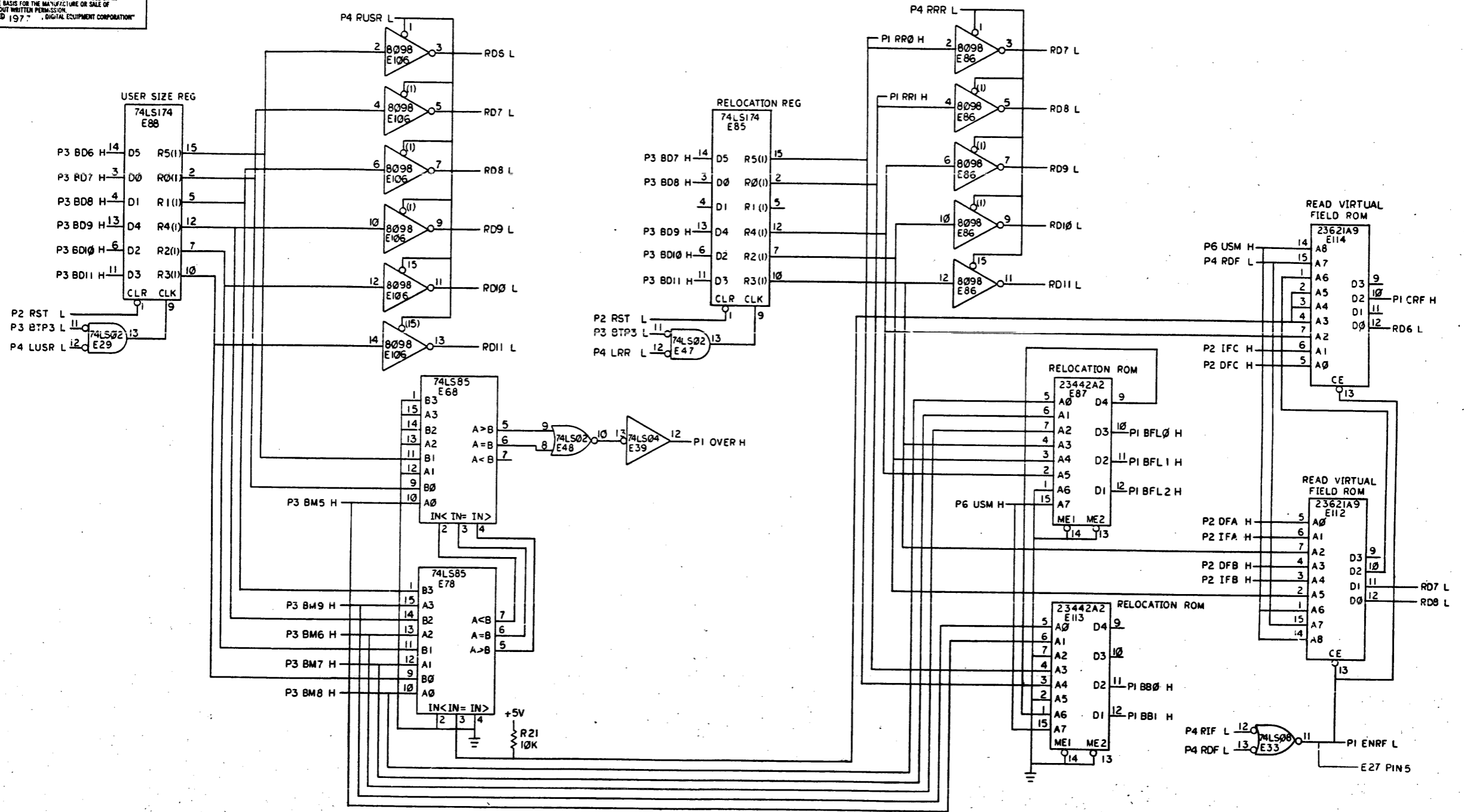


2-2 VIEWED FROM SIDE 2 1-3 0-1

REVISIONS	DATE	BY
CHK	CHANGE NO.	REV.

TITLE	PDP8 MEMORY MANAGEMENT BOARD	SIZE CODE	NUMBER	REV.
SCALE	1:1	SHEET	5 OF 6	DIST
			DUA M8416	-0-0 D

"THIS DRAWING AND SPECIFICATIONS HEREOF ARE THE PROPERTY OF DIGITAL EQUIPMENT CORPORATION AND SHALL NOT BE REPRODUCED OR COPIED OR USED IN WHOLE OR IN PART AS THE BASIS FOR THE MANUFACTURE OR SALE OF ITEMS WITHOUT WRITTEN PERMISSION. COPYRIGHT © 1977, DIGITAL EQUIPMENT CORPORATION"



REV	CHANGE NO.	DATE	BY
C	1	12-7-77	JA
B	1	12-7-77	JA
A	1	12-7-77	JA
D	1	12-7-77	JA

DRN. TEST	11-4-77	FIRST USED ON	KT8-A	digital
CHKD	12-7-77	TITLE	PDP8 MEMORY MANAGEMENT BOARD	
ENG	12-7-77	PROJ. ENG.	PDP8	
PROD. ENG.	12-7-77	SCALE	D CS	
NEXT HIGHER ASSY.		SIZE CODE	NUMBER	REV.
D-UA-M8416-0-0		D	M8416-0-1	D
SHEET 1 OF 7		DIST.		

