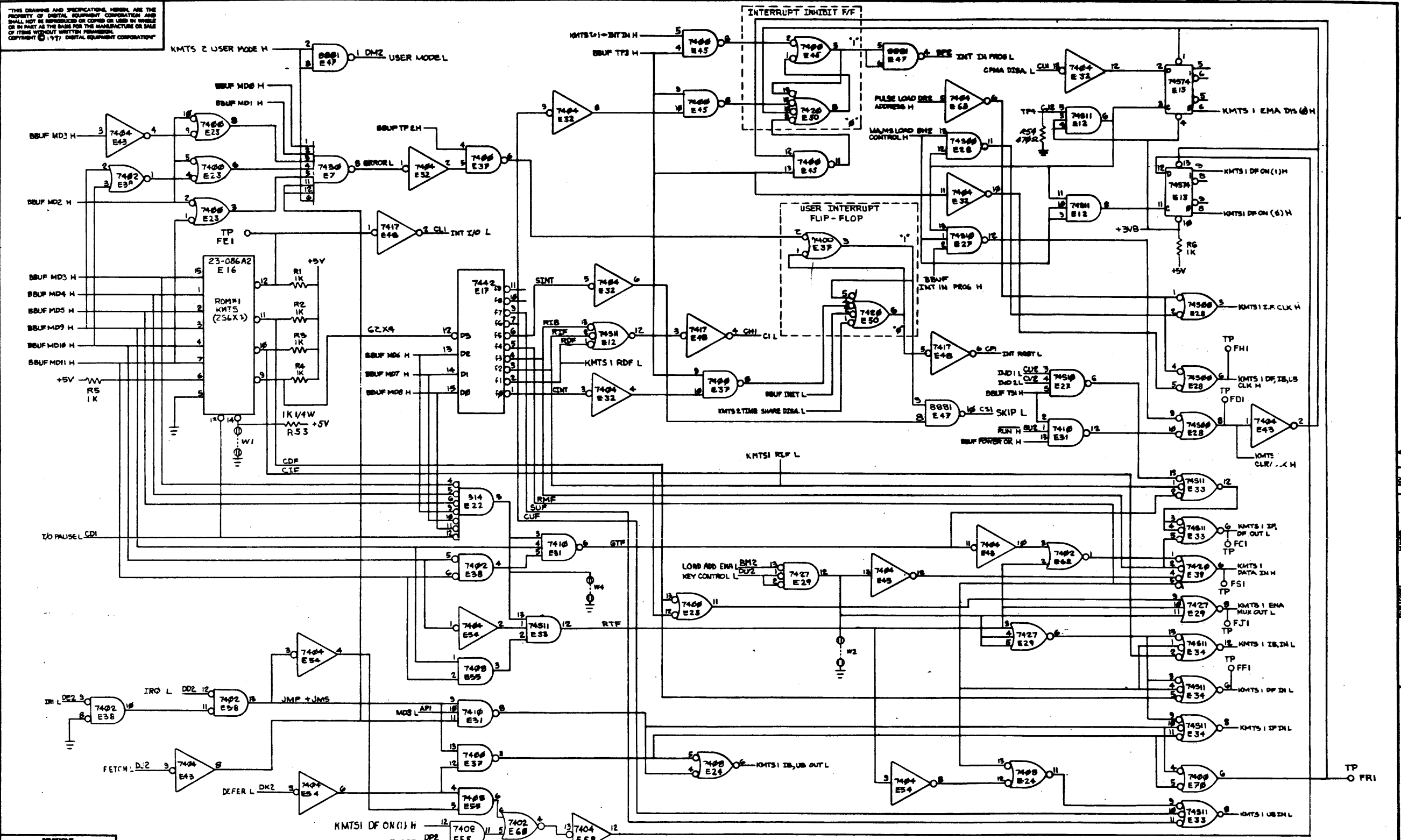


THIS DRAWING AND SPECIFICATIONS HEREIN ARE THE PROPERTY OF DIGITAL EQUIPMENT CORPORATION AND SHALL NOT BE REPRODUCED OR COPIED OR USED IN WHOLE OR IN PART AS THE BASIS FOR THE MANUFACTURE OR SALE OF ITEMS WITHOUT WRITTEN PERMISSION. COPYRIGHT © 1977 DIGITAL EQUIPMENT CORPORATION

D
C
B
A

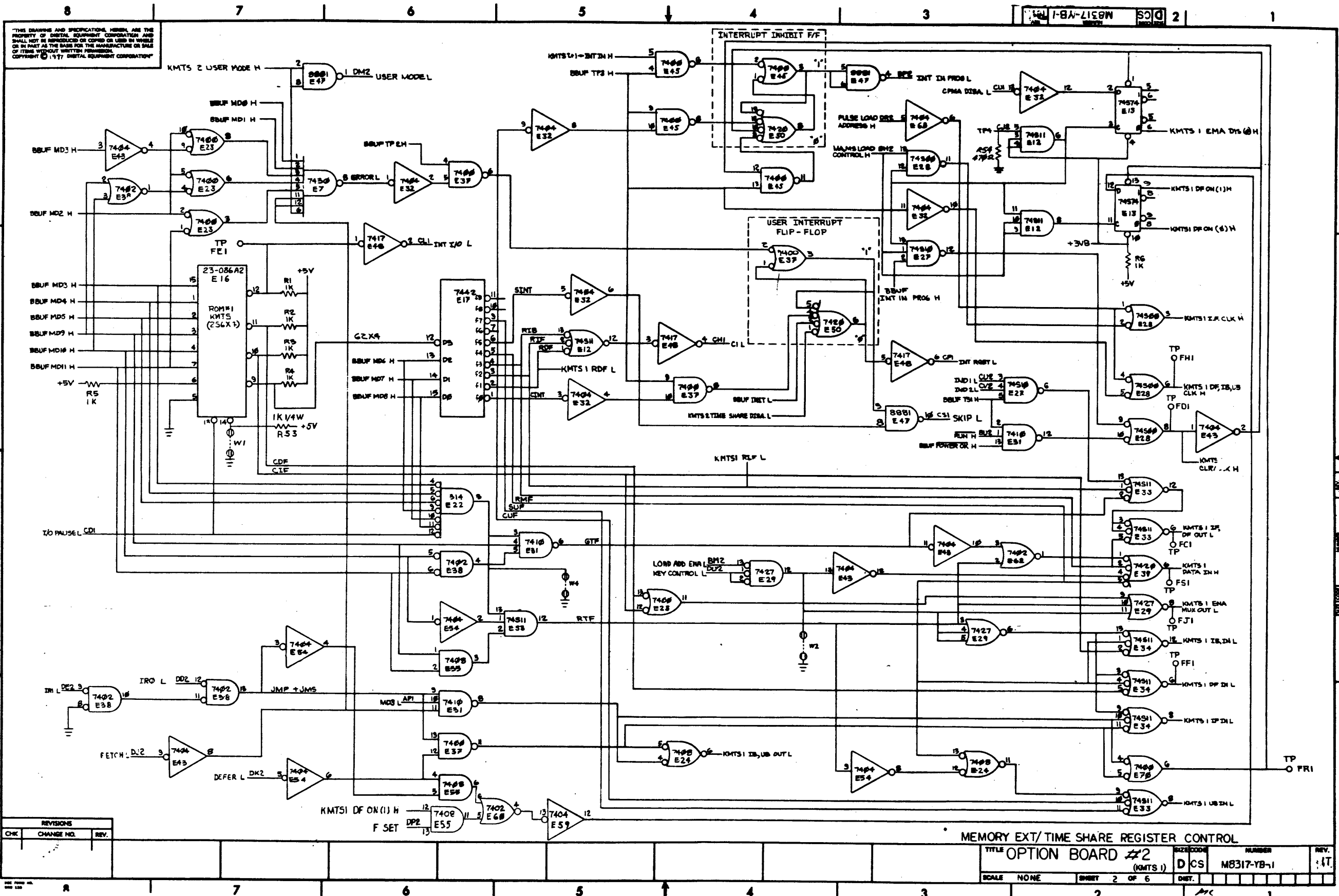
D
C
B
A



| CHK | CHANGE NO. | REV. |
|-----|------------|------|
| | | |

MEMORY EXT/TIME SHARE REGISTER CONTROL

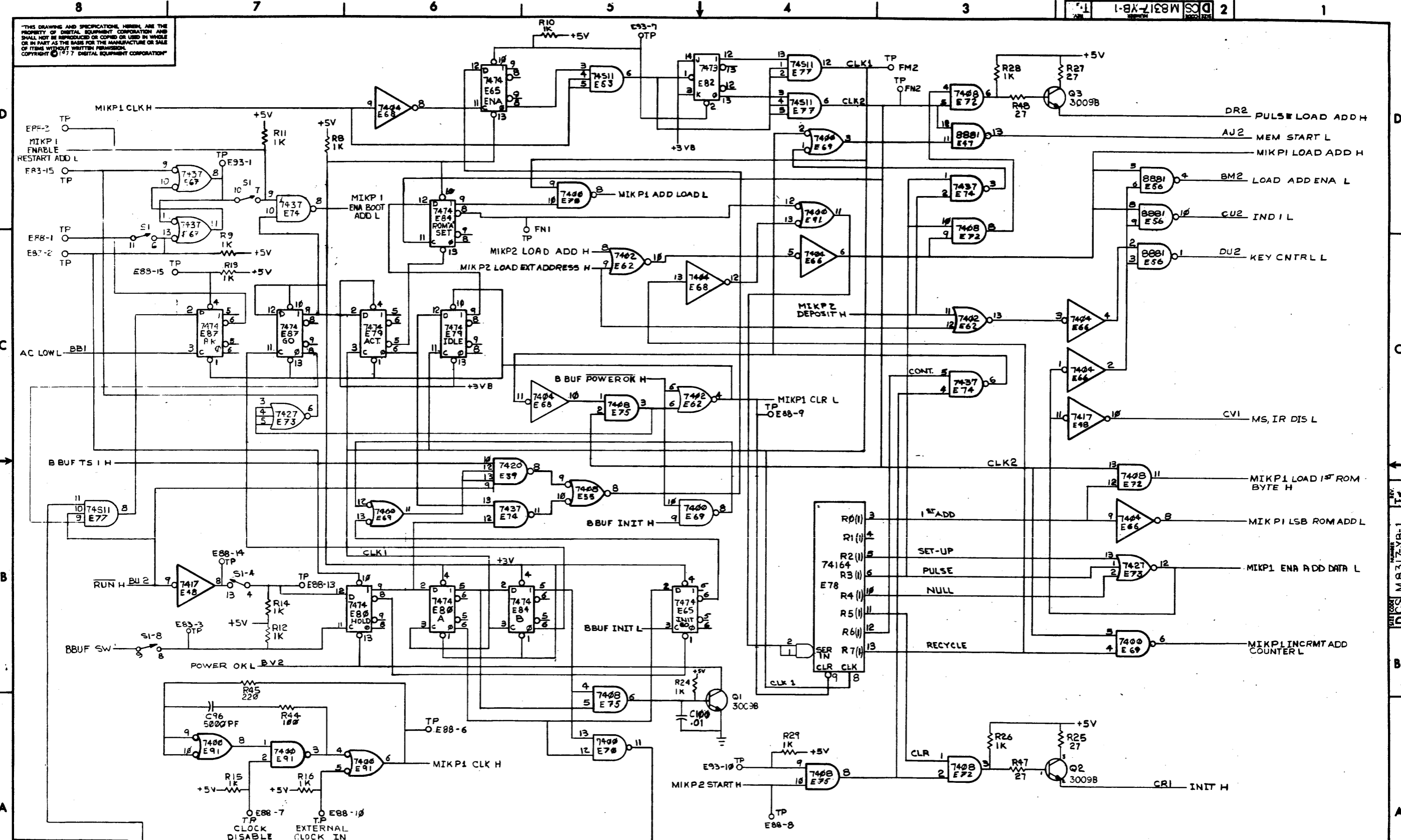
| | | | | | | | |
|-------|--------------------------|-----------|--------|--------|------------|------|---|
| TITLE | OPTION BOARD #2 (KMTS 1) | SIZE CODE | D CS | NUMBER | MB317-YB-1 | REV. | 1 |
| SCALE | NONE | SHEET | 2 OF 6 | DIST. | | | |



| REVISIONS | | |
|-----------|------------|------|
| CHK | CHANGE NO. | REV. |
| | | |
| | | |

| | | | | | | |
|--|--------------|--------------------------------|--|---------------|-------------------|---------|
| MEMORY EXT/TIME SHARE REGISTER CONTROL | | TITLE OPTION BOARD #2 (KMTS 1) | | SIZE CODE DCS | NUMBER M8317-YB-1 | REV. 1T |
| SCALE NONE | SHEET 2 OF 6 | DRY. | | | | |

"THIS DRAWING AND SPECIFICATIONS HEREIN ARE THE PROPERTY OF DIGITAL EQUIPMENT CORPORATION AND SHALL NOT BE REPRODUCED OR COPIED OR USED IN WHOLE OR IN PART AS THE BASIS FOR THE MANUFACTURE OR SALE OF ITEMS WITHOUT WRITTEN PERMISSION. COPYRIGHT © 1977 DIGITAL EQUIPMENT CORPORATION"

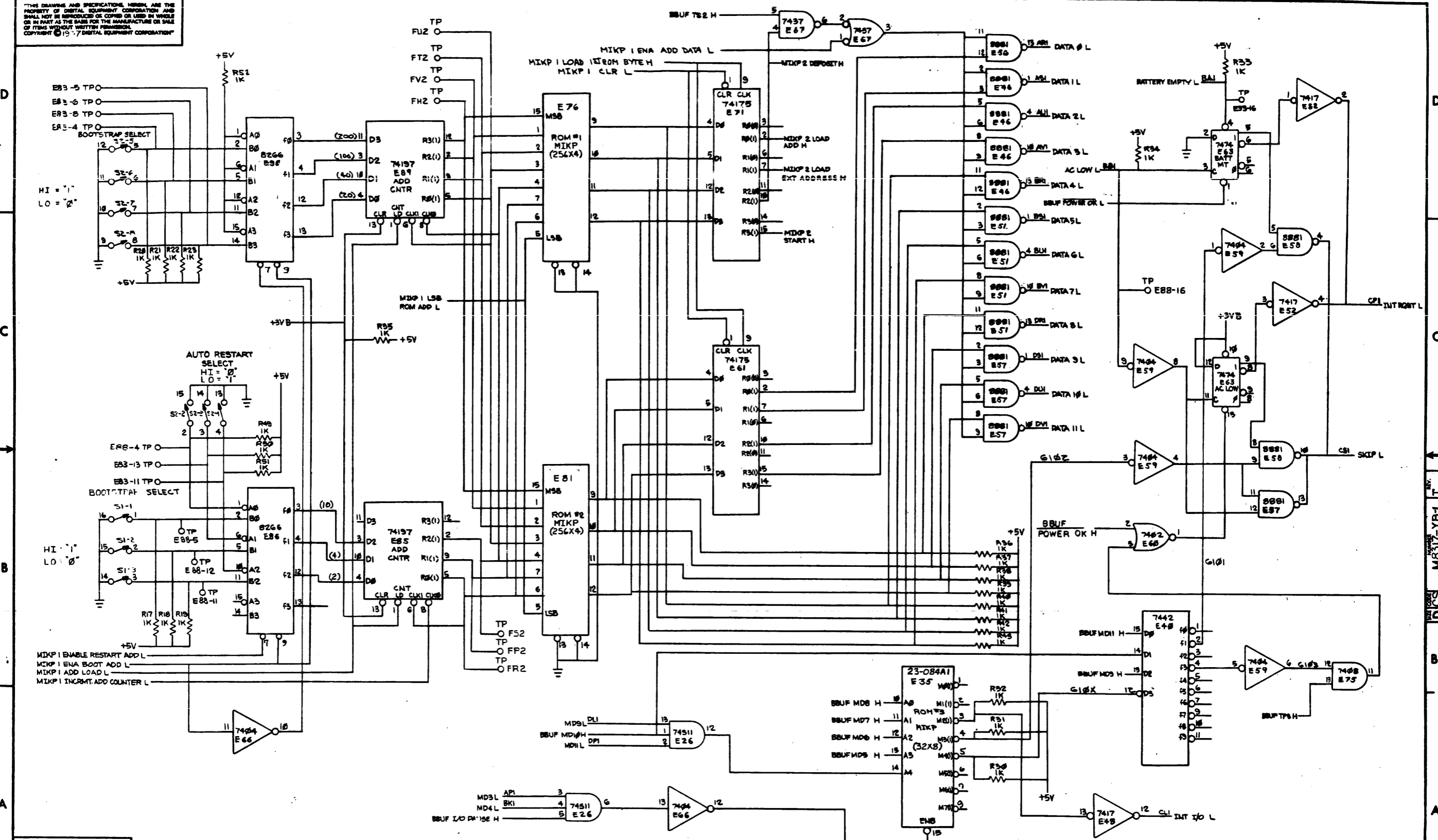


| REVISIONS | | |
|-----------|------------|------|
| CHK | CHANGE NO. | REV. |
| | | |

| | | | | | | | | | |
|-------|---|--------------------------|---|-----------|------|--------|------------|------|---|
| TITLE | | OPTION BOARD # 2 (MIKP1) | | SIZE CODE | D CS | NUMBER | M8317-YB-1 | REV. | 1 |
| SCALE | + | SHEET | 4 | OF | 6 | DIST. | | | |

DCS M8317-YB-1

THIS DRAWING AND SPECIFICATIONS HEREIN ARE THE PROPERTY OF DIGITAL EQUIPMENT CORPORATION AND SHALL NOT BE REPRODUCED OR COPIED OR USED IN WHOLE OR IN PART AS THE BASIS FOR THE MANUFACTURE OR SALE OF ITEMS WITHOUT WRITTEN PERMISSION. COPYRIGHT © 1977 DIGITAL EQUIPMENT CORPORATION



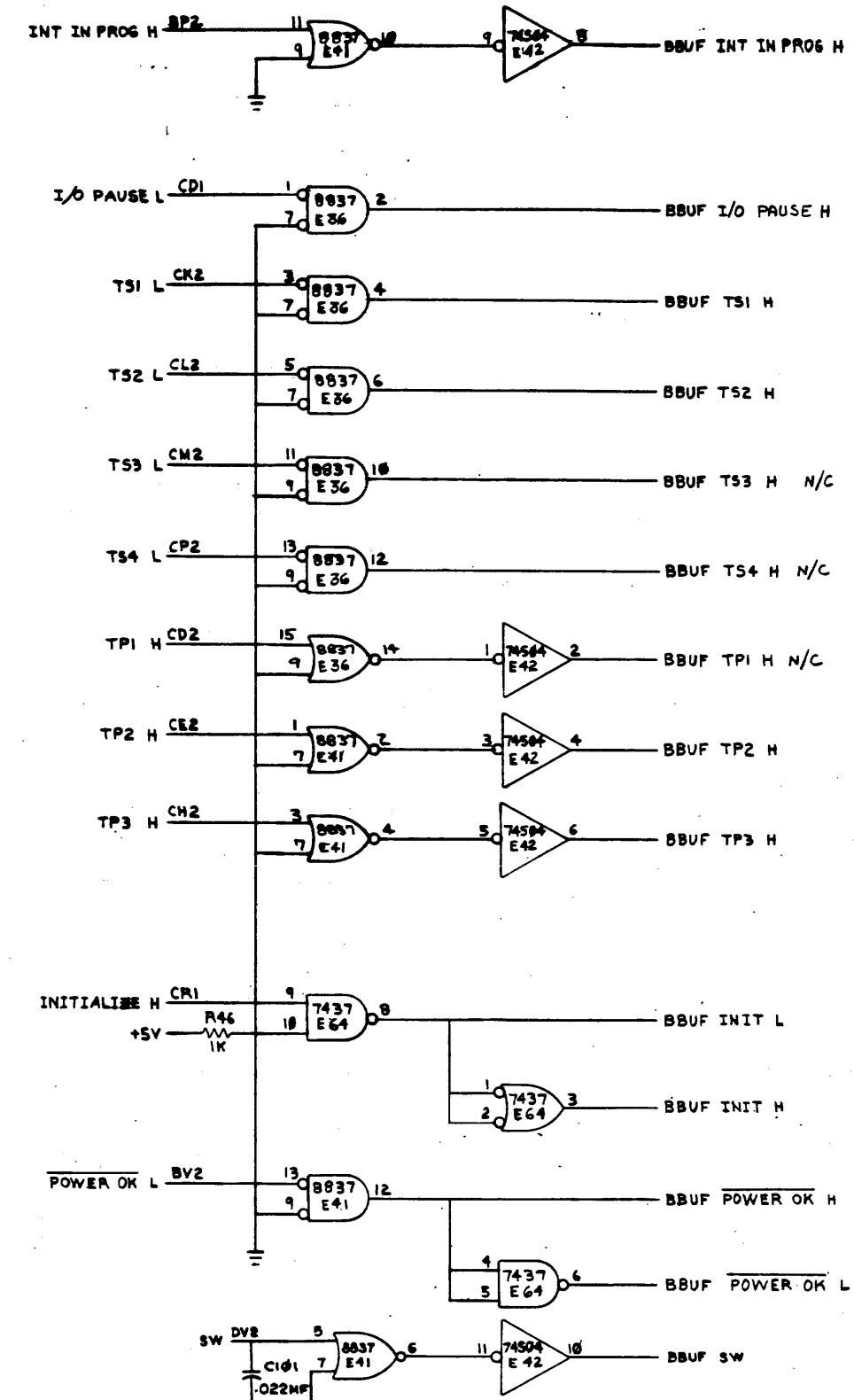
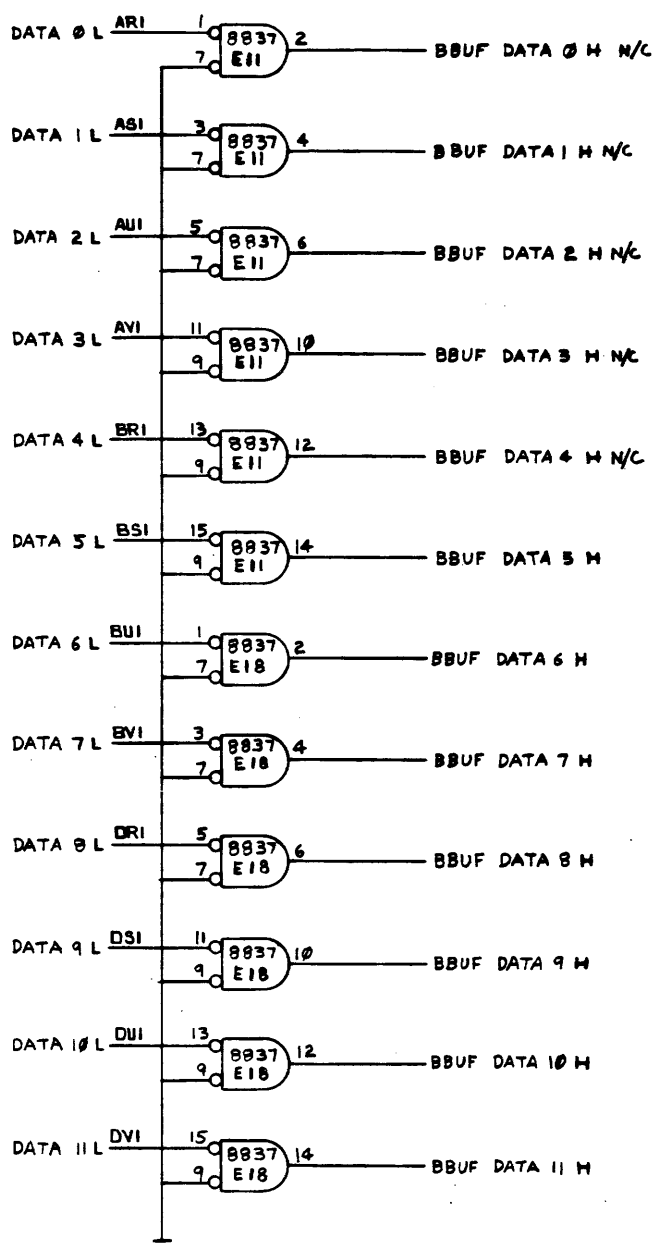
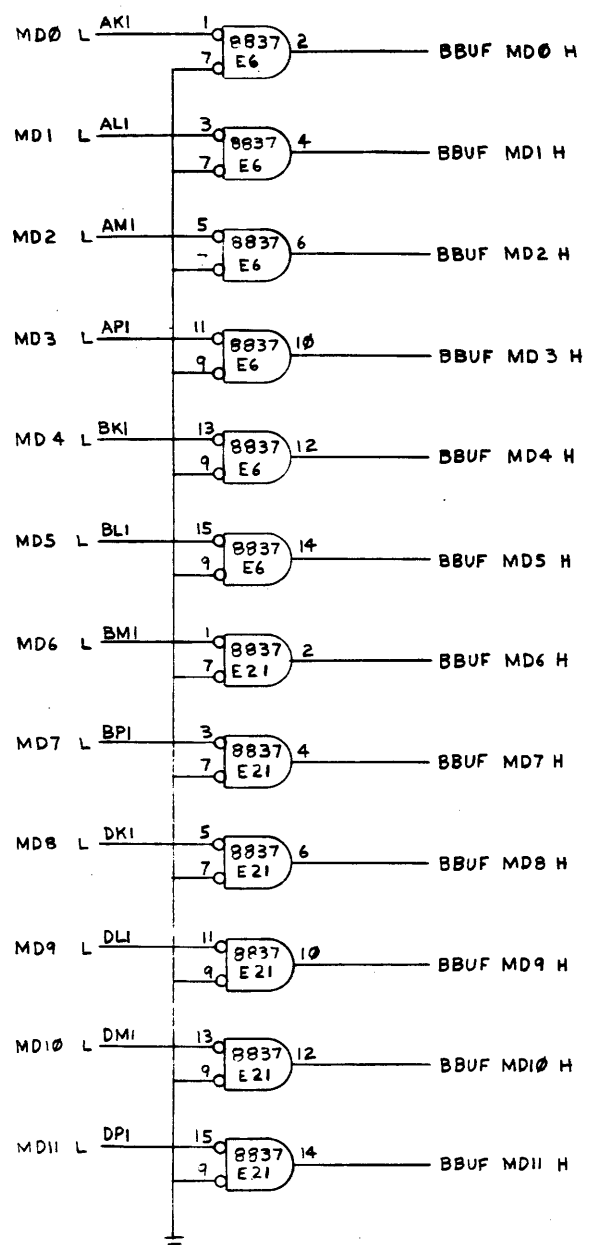
| REVISIONS | | |
|-----------|------------|------|
| CHK | CHANGE NO. | REV. |
| | | |
| | | |

BOOTSTRAP/AUTO-RESTART ROMS AC LOW AND BATTERY EMPTY FLAGS

| | | | | | | | |
|-------|---------------------------------|-----------|--------|--------|------------|------|----|
| TITLE | OPTION BOARD #2 (M8317-YB-1) | SIZE CODE | D CS | NUMBER | M8317-YB-1 | REV. | 1T |
| SCALE | NONE | SHEET | 5 OF 6 | DIST. | | | |

THIS DRAWING AND SPECIFICATIONS HEREIN ARE THE PROPERTY OF DIGITAL EQUIPMENT CORPORATION AND SHALL NOT BE REPRODUCED OR COPIED OR USED IN WHOLE OR IN PART AS THE BASIS FOR THE MANUFACTURE OR SALE OF ITEMS WITHOUT WRITTEN PERMISSION.
COPYRIGHT © 1977 DIGITAL EQUIPMENT CORPORATION

NOTE: SIGNALS WITH N/C
HAVE NO CONNECTION



BUS BUFFERS

| REVISIONS | | |
|-----------|------------|------|
| CHK | CHANGE NO. | REV. |
| | | |

| | | | | | | | |
|-------|-------------------------------|-----------|-----|--------|------------|------|---|
| TITLE | 8/A INTERNAL OPTION #2 (BBUF) | REV. CODE | DCS | NUMBER | M8317-YB-1 | REV. | 1 |
| SCALE | NONE | SHEET | 6 | OF | 6 | DWT. | |

DCS M8317-YB-1