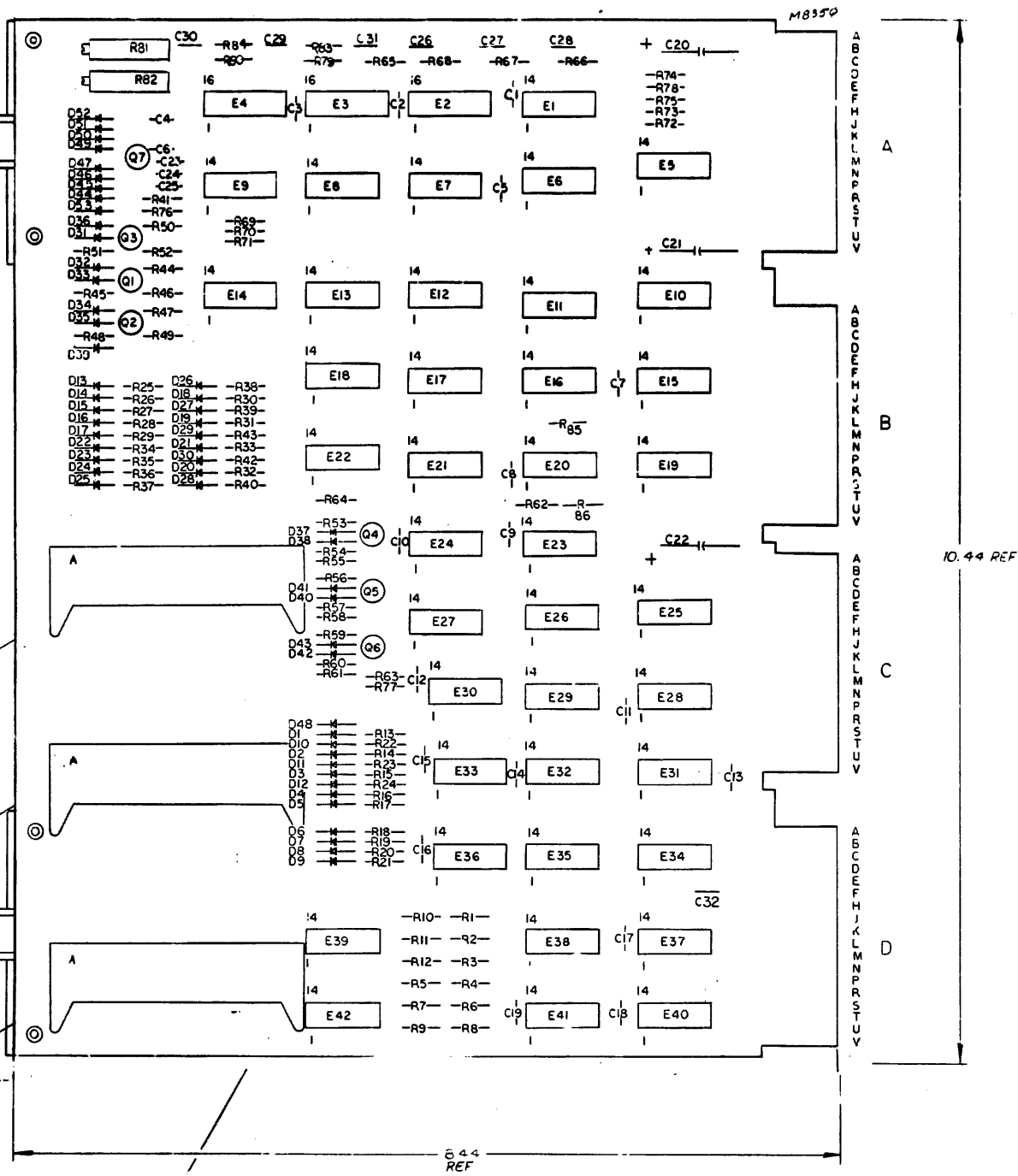
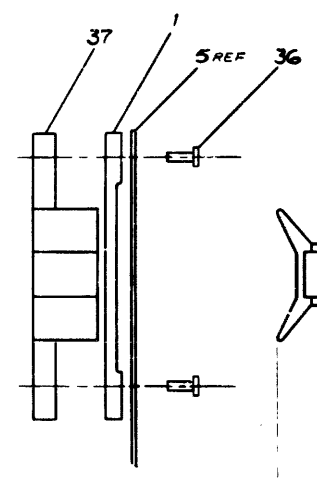


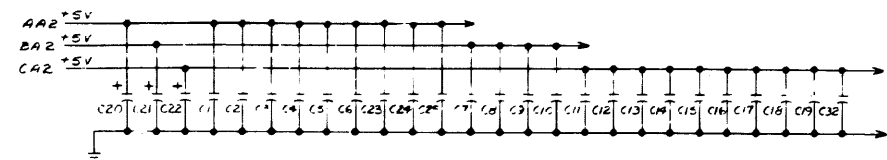
1. UNLESS OTHERWISE NOTED, ALL DIMENSIONS ARE IN MILLIMETERS UNLESS OTHERWISE SPECIFIED.

NOTES:  
 1 UNLESS OTHERWISE NOTED,  
 CAPACITOR 0.1UF 100V 20%  
 RESISTOR 220 1/4W 5%



QTY.	REF DESIGNATION	DESCRIPTION	PART NO.	REV.
1	R84	RES 10K 1/4W 5%	150017	3
1	E26	IC DEC 7414	1911324	11
2	R84, R83	RES 470K 1/4W 5%	1302344	40
1	C24	CAP 33 PF, 100V 5% D.M	1000009	11
1/2		GRIPLET	1210244-C	
4		HANDLE FLIP CHIP - MAGENTA	9006337-C	
8		EYELET GS 4-11 STIMPDA	9006750	
3	E2, E3, E4	IC DEC 74123	1910436	
2	E23, E42	IC DEC 2501	1910010	4
5	E10, E12, E16, E20, E30	IC DEC 6380	1910371	13
4	E13, E18, E22, E27	IC DEC 7417	1909929	11
5	E4, E17, E21, E33, E36	IC DEC 7416	1909928	11
6	E1, E25, E28, E31, E34, E40	IC DEC 8881	1909705	11
2	E38, E41	IC DEC 7404	1909666	13
4	E15, E32, E35, E37	IC DEC 384	1909446	11
1	E29	IC DEC 7402	1909204	11
1	E39	IC DEC 7430	1905578	11
1	E24	IC DEC 7420	1905577	11
2	E5, E8	IC DEC 7410	1905576	11
1	E11	IC DEC 7400	1905575	11
4	E6, E7, E9, E19	IC DEC 1474	1905547	11
7	Q1 THRU Q7	TRANSISTOR DEC 3009B	1503100	11
2	R81, R82	RES 50K 3/4W 10% T6 PR	1309143-13	21
2	R79, R80	RES 4.7K 1/4W 5%	1304447	11
4	R65 THRU R68	RES 6.8K 1/4W 5%	1304423	11
6	R50, R49, R47, R53, R56, R59	RES 27 1/4W 10%	1301420	11
1	R80	RES 5.6K 1/4W 5%	1301874	11
68	R1 THRU R43, R45, R46, R48, R49, R51, R52, R54, R55, R57, R58, R60, R61 THRU R64, R69 THRU R118	RES 220 1/4W 5%	1300271	11
3		HELPER RIGHT ANGLE	1209791	11
43	D1 THRU D43	DIODE D664	1100114	13
10	D44 THRU D53	DIODE D662	1100113	12
23	C1 THRU C19, C23, C24, C25, C32	CHIP 0.1UF, 100V, 20% DISC	10011610	11
3	C20, C21, C22	CAP 6.8UF, 35V, 10% STANT	100E106	11
1	C30	CAP 150PF, 100V, 5% D.M	1000009	7
1	C28	CAP 68PF, 100V, 5% D.M	1000014	11
1	C27	CAP 100PF, 100V, 5%	1000016	7
2	C31, C26	CAP 10PF, 100V, 5% D.M	1000006	11
1		ETCHED CIRCUIT BOARD	5009594	11
REF		MODULE ECO HISTORY	B-MH-M8350-0-1	
REF		ASSY/DRILLING HOLE LAYOUT	D-MH-M8350-0-1	3
REF		X-Y COORDINATE HOLE LAYOUT	K-CO-M8350-0-1	2
4		SPACER (CABLE CLAMP)	1202704	11

DATE	BY	REVISION	DESCRIPTION
DEC 2501	NONE	NONE	
DEC 74123	8	76	
DEC 6380	1	8	
DEC 384	1	8	



ETCH BOARD REV D

REVISIONS:

REV	DATE	DESCRIPTION
1	DEC 3009B	2N 5009B
2	D664	1N 3606
3	D662	1N 645

REPRODUCED FROM ORIGINAL DRAWING

REVISIONS:

REV	DATE	DESCRIPTION
1	DEC 3009B	2N 5009B
2	D664	1N 3606
3	D662	1N 645

REVISIONS:

REV	DATE	DESCRIPTION
1	DEC 3009B	2N 5009B
2	D664	1N 3606
3	D662	1N 645

REVISIONS:

REV	DATE	DESCRIPTION
1	DEC 3009B	2N 5009B
2	D664	1N 3606
3	D662	1N 645

REVISIONS:

REV	DATE	DESCRIPTION
1	DEC 3009B	2N 5009B
2	D664	1N 3606
3	D662	1N 645

REVISIONS:

REV	DATE	DESCRIPTION
1	DEC 3009B	2N 5009B
2	D664	1N 3606
3	D662	1N 645

REVISIONS:

REV	DATE	DESCRIPTION
1	DEC 3009B	2N 5009B
2	D664	1N 3606
3	D662	1N 645

REVISIONS:

REV	DATE	DESCRIPTION
1	DEC 3009B	2N 5009B
2	D664	1N 3606
3	D662	1N 645

REVISIONS:

REV	DATE	DESCRIPTION
1	DEC 3009B	2N 5009B
2	D664	1N 3606
3	D662	1N 645

REVISIONS:

REV	DATE	DESCRIPTION
1	DEC 3009B	2N 5009B
2	D664	1N 3606
3	D662	1N 645

REVISIONS:

REV	DATE	DESCRIPTION
1	DEC 3009B	2N 5009B
2	D664	1N 3606
3	D662	1N 645

REVISIONS:

REV	DATE	DESCRIPTION
1	DEC 3009B	2N 5009B
2	D664	1N 3606
3	D662	1N 645

REVISIONS:

REV	DATE	DESCRIPTION
1	DEC 3009B	2N 5009B
2	D664	1N 3606
3	D662	1N 645

REVISIONS:

REV	DATE	DESCRIPTION
1	DEC 3009B	2N 5009B
2	D664	1N 3606
3	D662	1N 645

REVISIONS:

REV	DATE	DESCRIPTION
1	DEC 3009B	2N 5009B
2	D664	1N 3606
3	D662	1N 645

REVISIONS:

REV	DATE	DESCRIPTION
1	DEC 3009B	2N 5009B
2	D664	1N 3606
3	D662	1N 645

REVISIONS:

REV	DATE	DESCRIPTION
1	DEC 3009B	2N 5009B
2	D664	1N 3606
3	D662	1N 645

REVISIONS:

REV	DATE	DESCRIPTION
1	DEC 3009B	2N 5009B
2	D664	1N 3606
3	D662	1N 645

REVISIONS:

REV	DATE	DESCRIPTION
1	DEC 3009B	2N 5009B
2	D664	1N 3606
3	D662	1N 645

REVISIONS:

REV	DATE	DESCRIPTION
1	DEC 3009B	2N 5009B
2	D664	1N 3606
3	D662	1N 645

REVISIONS:

REV	DATE	DESCRIPTION
1	DEC 3009B	2N 5009B
2	D664	1N 3606
3	D662	1N 645

REVISIONS:

REV	DATE	DESCRIPTION
1	DEC 3009B	2N 5009B
2	D664	1N 3606
3	D662	1N 645

REVISIONS:

REV	DATE	DESCRIPTION
1	DEC 3009B	2N 5009B
2	D664	1N 3606
3	D662	1N 645

REVISIONS:

REV	DATE	DESCRIPTION
1	DEC 3009B	2N 5009B
2	D664	1N 3606
3	D662	1N 645

REVISIONS:

REV	DATE	DESCRIPTION
1	DEC 3009B	2N 5009B
2	D664	1N 3606
3	D662	1N 645

REVISIONS:

REV	DATE	DESCRIPTION
1	DEC 3009B	2N 5009B
2	D664	1N 3606
3	D662	1N 645

REVISIONS:

REV	DATE	DESCRIPTION
1	DEC 3009B	2N 5009B
2	D664	1N 3606
3	D662	1N 645

REVISIONS:

REV	DATE	DESCRIPTION
1	DEC 3009B	2N 5009B
2	D664	1N 3606
3	D662	1N 645

REVISIONS:

REV	DATE	DESCRIPTION
1	DEC 3009B	2N 5009B
2	D664	1N 3606
3	D662	1N 645

REVISIONS:

REV	DATE	DESCRIPTION
1	DEC 3009B	2N 5009B
2	D664	1N 3606
3	D662	1N 645

REVISIONS:

REV	DATE	DESCRIPTION
1	DEC 3009B	2N 5009B
2	D664	1N 3606
3	D662	1N 645

REVISIONS:

REV	DATE	DESCRIPTION
1	DEC 3009B	2N 5009B
2	D664	1N 3606
3	D662	1N 645

REVISIONS:

REV	DATE	DESCRIPTION
1	DEC 3009B	2N 5009B
2	D664	1N 3606
3	D662	1N 645

REVISIONS:

REV	DATE	DESCRIPTION
1	DEC 3009B	2N 5009B
2	D664	1N 3606
3	D662	1N 645

REVISIONS:

REV	DATE	DESCRIPTION
1	DEC 3009B	2N 5009B
2	D664	1N 3606
3	D662	1N 645

REVISIONS:

REV	DATE	DESCRIPTION
1	DEC 3009B	2N 5009B
2	D664	1N 3606
3	D662	1N 645

REVISIONS:

REV	DATE	DESCRIPTION
1	DEC 3009B	2N 5009B
2	D664	1N 3606
3	D662	1N 645

REVISIONS:

REV	DATE	DESCRIPTION
1	DEC 3009B	2N 5009B
2	D664	1N 3606
3	D662	1N 645

REVISIONS:

REV	DATE	DESCRIPTION
1	DEC 3009B	2N 5009B
2	D664	1N 3606
3	D662	1N 645

REVISIONS:

REV	DATE	DESCRIPTION
1	DEC 3009B	2N 5009B
2	D664	1N 3606
3	D662	1N 645

REVISIONS:

REV	DATE	DESCRIPTION
1	DEC 3009B	2N 5009B
2	D664	1N 3606
3	D662	1N 645

REVISIONS:

REV	DATE	DESCRIPTION
1	DEC 3009B	2N 5009B
2	D664	1N 3606
3	D662	1N 645

REVISIONS:

REV	DATE	DESCRIPTION
1	DEC 3009B	2N 5009B
2	D664	1N 3606
3	D662	1N 645

REVISIONS:

REV	DATE	DESCRIPTION
1	DEC 3009B	2N 5009B
2	D664	1N 3606
3	D662	1N 645

REVISIONS:

REV	DATE	DESCRIPTION
1	DEC 3009B	2N 5009B
2	D664	1N 3606
3	D662	1N 645

REVISIONS:

REV	DATE	DESCRIPTION
1	DEC 3009B	2N 5009B
2	D664	1N 3606
3	D662	1N 645

REVISIONS:

REV	DATE	DESCRIPTION
1	DEC 3009B	2N 5009B
2	D664	1N 3606
3	D662	1N 645

REVISIONS:

REV	DATE	DESCRIPTION
1	DEC 3009B	2N 5009B
2	D664	1N 3606
3	D662	1N 645

REVISIONS:

REV	DATE	DESCRIPTION
1	DEC 3009B	2N 5009B
2	D664	1N 3606
3	D662	1N 645

REVISIONS:

REV	DATE	DESCRIPTION
1	DEC 3009B	2N 5009B
2	D664	1N 3606
3	D662	1N 645

REVISIONS:

REV	DATE	DESCRIPTION
1	DEC 3009B	2N 5009B
2	D664	1N 3606
3	D662	1N 645

REVISIONS:

REV	DATE	DESCRIPTION
1	DEC 3009B	2N 5009B
2	D664	1N 3606
3	D662	1N 645

REVISIONS:

REV	DATE	DESCRIPTION
1	DEC 3009B	2N 5009B
2	D664	1N 3606
3	D662	1N 645

REVISIONS:

REV	DATE	DESCRIPTION
1	DEC 3009B	2N 5009B
2	D664	1N 3606
3	D662	1N 645

REVISIONS:

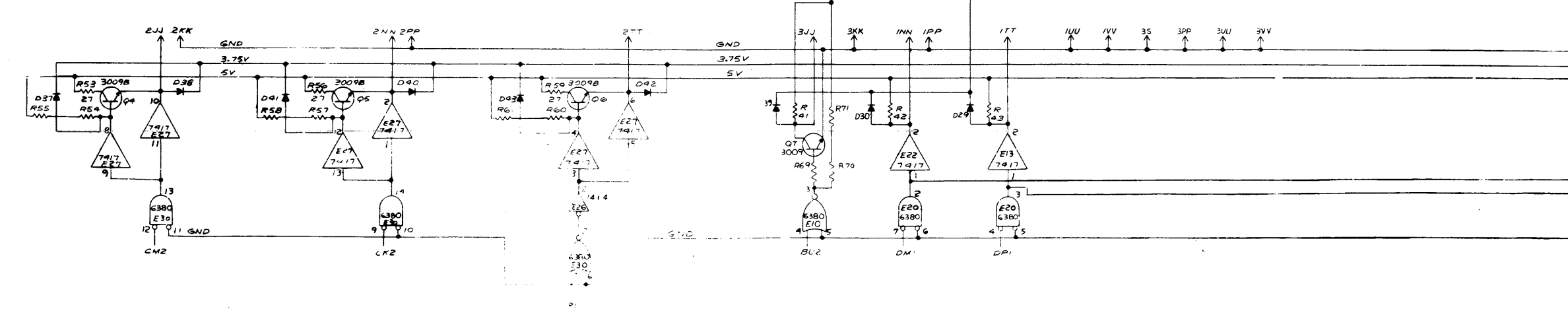
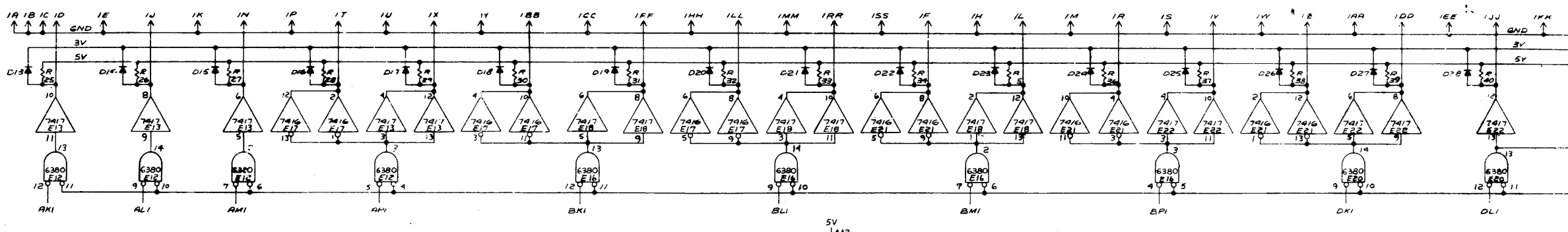
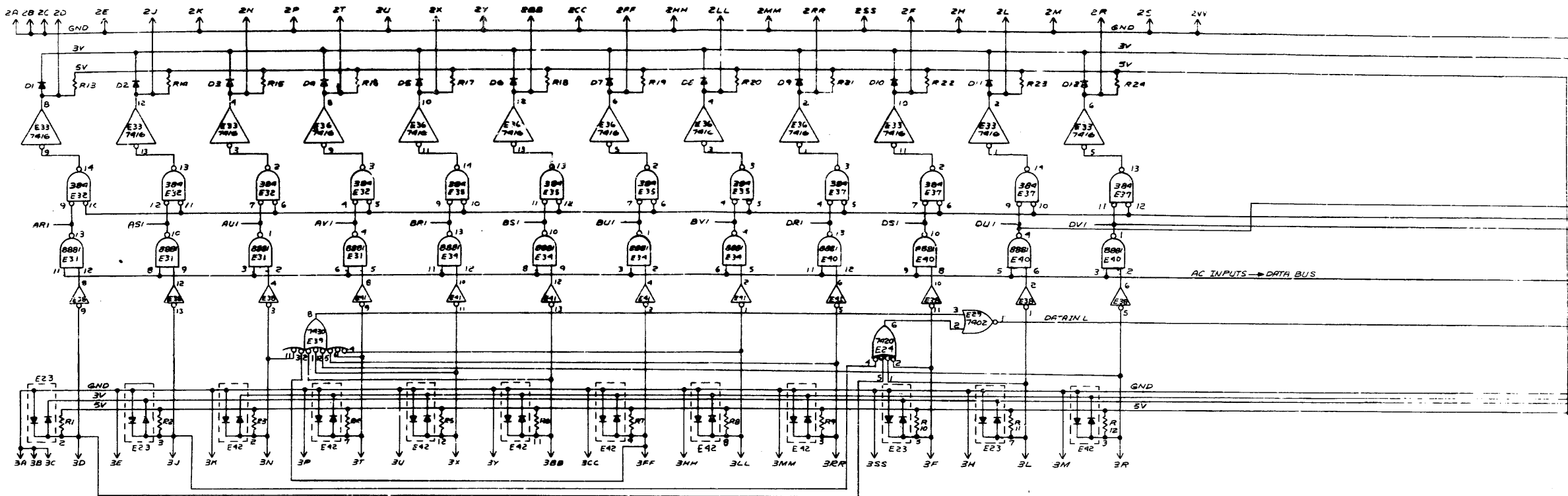
REV	DATE	DESCRIPTION
1	DEC 3009B	2N 5009B
2	D664	1N 3606
3	D662	1N 645

REVISIONS:

REV	DATE	DESCRIPTION
1	DEC 3009B	2N 5009B
2	D664	1N 3606
3	D662	1N 645

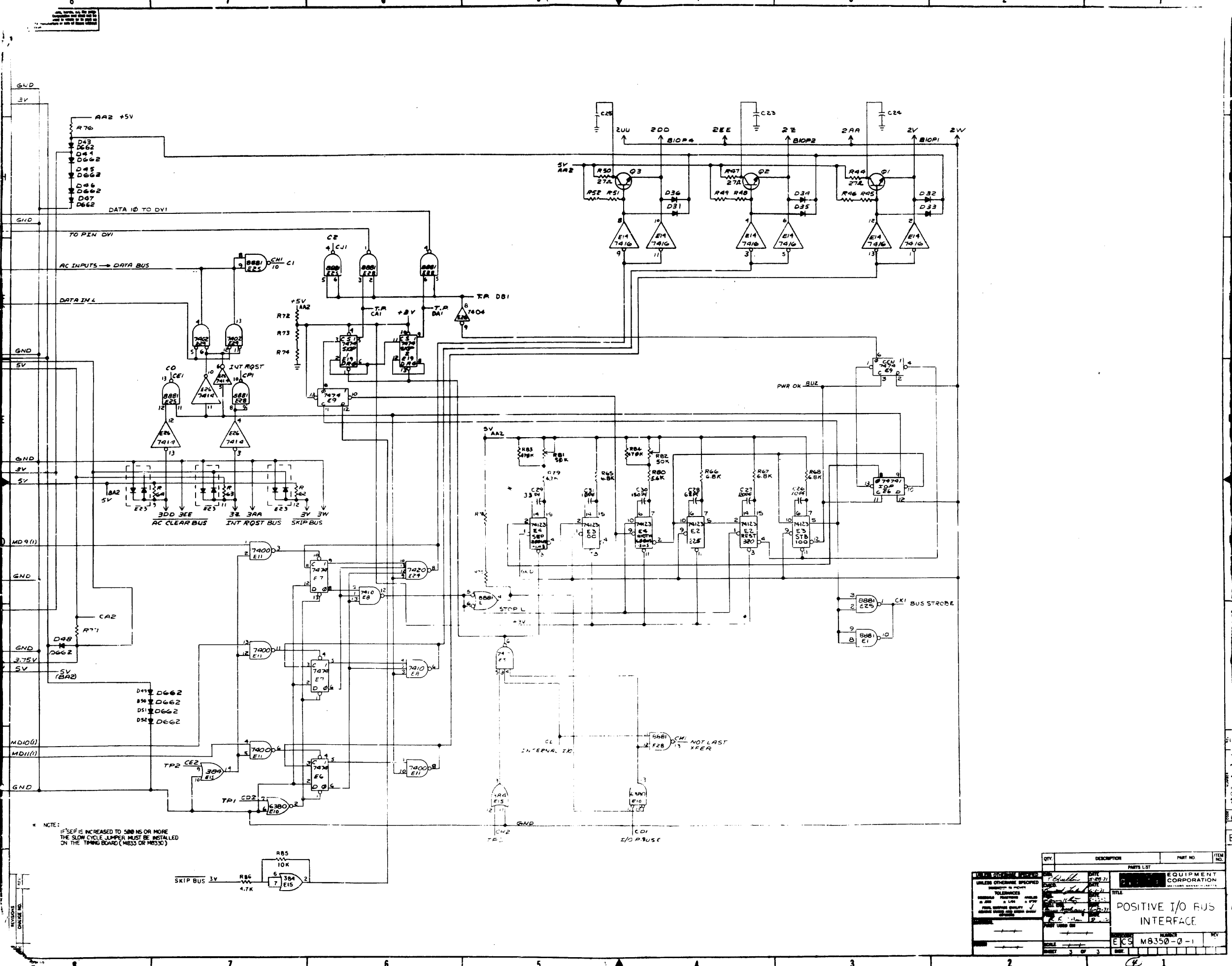
REVISIONS:

REV	DATE	DESCRIPTION



QTY	DESCRIPTION	PART NO.	TEST NO.
1	PDP 8/E		
UNLESS OTHERWISE SPECIFIED			
RESISTORS IN OHMS			
TOLERANCES			
RESISTORS: ±1%			
CAPACITORS: ±5%			
DIMENSIONS: ±0.005"			
MATERIALS: AS SHOWN			
FINISH: AS SHOWN			
DRAWN: [Signature]			
CHECKED: [Signature]			
DATE: 5/13/71			
EQUIPMENT CORPORATION			
TITLE: POSITIVE I/O BUS INTERFACE			
ECS M8350-2			
SCALE: 1:1			
SHEET 2 OF 3			

8  
7  
6  
5  
4  
3  
2  
1



\* NOTE:  
IF SEP IS INCREASED TO 500 NS OR MORE  
THE SLOW CYCLE JUMPER MUST BE INSTALLED  
ON THE TIMING BOARD (M833 OR M8330)

QTY.	DESCRIPTION	PART NO.	ITEM NO.
PARTS LIST			
1	POSITIVE I/O BUS INTERFACE		
EQUIPMENT CORPORATION			
M8350-0-1			
REV. 1			