



THE DRAWING AND SPECIFICATIONS HEREIN ARE THE PROPERTY OF DIGITAL EQUIPMENT CORPORATION AND SHALL NOT BE REPRODUCED OR COPIED OR USED IN WHOLE OR IN PART AS THE BASIS FOR THE MANUFACTURE OR SALE OF ITEMS WITHOUT WRITTEN PERMISSION. COPYRIGHT © 1973, DIGITAL EQUIPMENT CORPORATION.

QTY	QTY	QTY	QTY	REF DESIGNATION	DESCRIPTION	PART NO.	ITEM NO.
12				SEE Y VARIATION CHART	I.C. DEC 74200 (3100)	1910010-2	56
4				E1, E10, E30, E30	I.C. DEC 74157	1910005	57
1				.002	CAP 500PF 160V 5%	1000023	58
							59
1				.R40	RES. 10K PGT 3/4 W 10%	1309143-10	60
1					HEAT SINK: TRANSISTOR	1210001	61
REF					X-Y COORDINATE HOLE LOCATION	K-CO-M8349-0-4	62
REF					ASSY/DRILLING HOLE LAYOUT	D-AH-M8349-0-5	63
REF					ECO MODULE HISTORY	B-MH-M8349-0-6	64
1					ETCH CIRCUIT BOARD	5010426	65

M8349-YA  
M8349-YC  
M8349-YD

Y VARIATION CHART

COMPONENTS	M8349 YA	M8349 YC	M8349 YD	M8349
I.C. DEC 1702A	E26, E50	E26, E32, E38, E42, E50, E55	E26, E32, E50	E20, E26, E32, E38, E42, E50, E55
I.C. DEC 5384	E4, E24, E51	E4, E24, E51	E4, E24, E51	E4, E10, E24, E27, E43, E51
JUMPER YA1 SEE NOTE 6	IN	IN	IN	OUT
JUMPER YA2	IN	IN	IN	OUT
I.C. DEC 74151	0	0	0	E16
I.C. DEC 74200	0	0	0	E2, E7, E11, E15, E19, E23, E25, E28, E33, E37, E41, E46

\* DIODE & JUMPER SETTINGS FOR ADDRESS DEFINITIONS

MEMORY FIELD SELECT	DIODE					
	D3	D4	D5	D6	D9	D10
0	1	1	1	1	1	1
1	1	1	1	1	1	1
2	1	1	1	1	1	1
3	1	1	1	1	1	1
4	1	1	1	1	1	1
5	1	1	1	1	1	1
6	1	1	1	1	1	1
7	1	1	1	1	1	1

FIRST MEMORY ADDRESS	DIODE			
	D7	D8	D11	D12
0000	1	1	1	1
2000	1	1	1	1
4000	1	1	1	1
6000	1	1	1	1

STARTING MEMORY ADDRESS	JUMPERS BELOW		
	R1	R2	R3
0000	1	1	1
0200	1	1	1
2000	1	1	1
2200	1	1	1
4000	1	1	1
4200	1	1	1
6000	1	1	1
6200	1	1	1

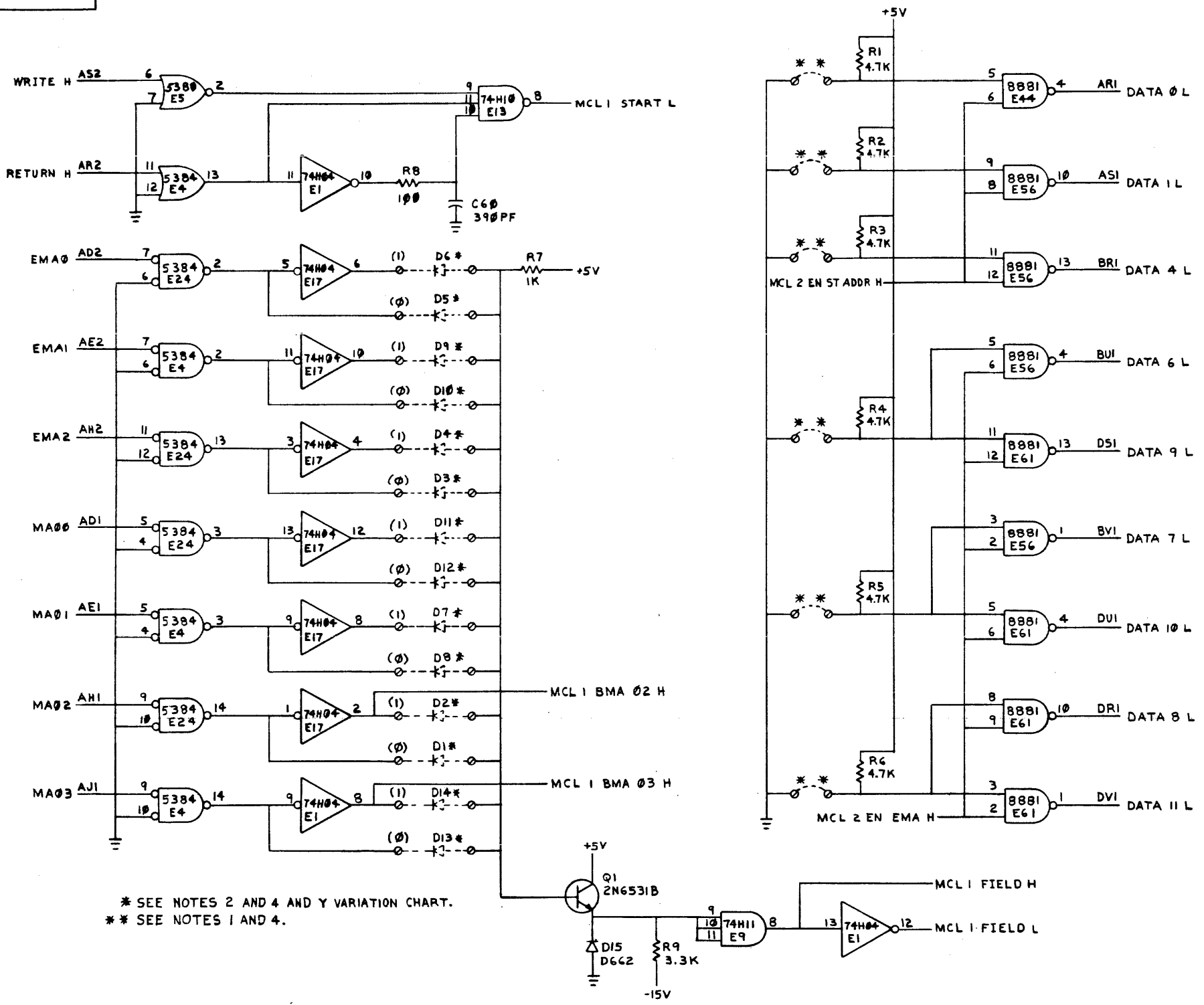
\* "1" = DIODE OR JUMPER IN  
" - " = DIODE OR JUMPER OUT

"SW" OR "BOOT" FIELD SELECT	JUMPER BELOW		
	R4	R5	R6
0	1	1	1
1	1	1	1
2	1	1	1
3	1	1	1
4	1	1	1
5	1	1	1
6	1	1	1
7	1	1	1

REVISIONS		
CHK	CHANGE NO.	REV.

REV. 10/73 DCS M8349-0-1

"THIS DRAWING AND SPECIFICATIONS HEREIN ARE THE PROPERTY OF DIGITAL EQUIPMENT CORPORATION AND SHALL NOT BE REPRODUCED OR COPIED OR USED IN WHOLE OR IN PART AS THE BASIS FOR THE MANUFACTURE OR SALE OF ITEMS WITHOUT WRITTEN PERMISSION. COPYRIGHT © 1973, DIGITAL EQUIPMENT CORPORATION"



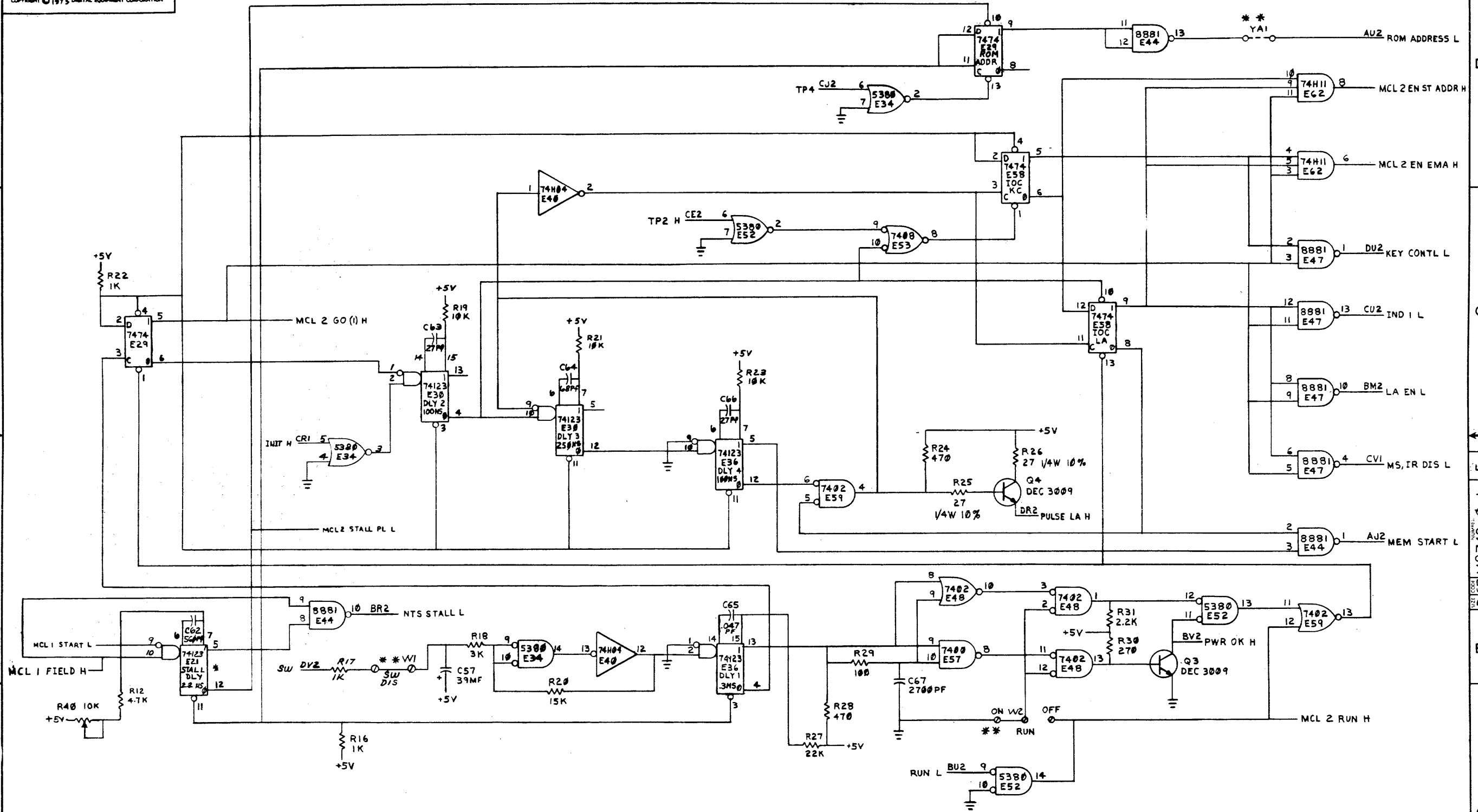
SW. STARTING ADDRESS

SW. FIELD SELECTION (IF AND DF)

\* SEE NOTES 2 AND 4 AND Y VARIATION CHART.  
 \*\* SEE NOTES 1 AND 4.

REVISIONS		
CHK	CHANGE NO.	REV.

"THE DRAWING AND SPECIFICATIONS HEREIN ARE THE PROPERTY OF DIGITAL EQUIPMENT CORPORATION AND SHALL NOT BE REPRODUCED OR COPIED OR USED IN WHOLE OR IN PART AS THE BASIS FOR THE MANUFACTURE OR SALE OF ITEMS WITHOUT WRITTEN PERMISSION. COPYRIGHT © 1973 DIGITAL EQUIPMENT CORPORATION"



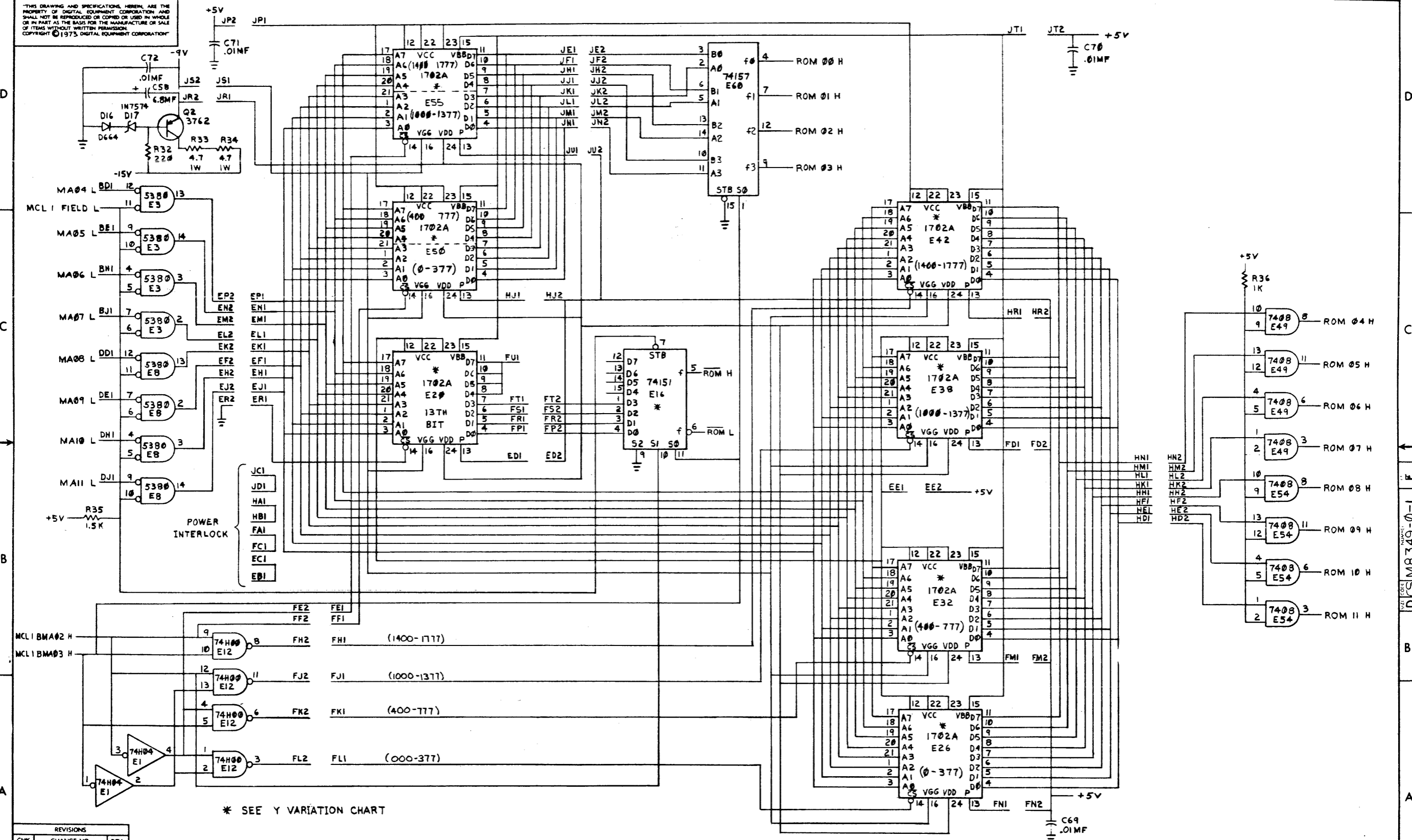
\* SEE NOTE 3  
 \*\* SEE NOTE 4

CHK	CHANGE NO.	REV.

REVISIONS		TITLE	SIZE CODE	NUMBER	REV.
		PROM 1K (MCL2)	DCS	M8349-0-1	F
		SCALE	SHEET 4 OF 7	DIST.	

DCS M8349-0-1

THIS DRAWING AND SPECIFICATIONS HEREIN ARE THE PROPERTY OF DIGITAL EQUIPMENT CORPORATION AND SHALL NOT BE REPRODUCED OR COPIED OR USED IN WHOLE OR IN PART AS THE BASIS FOR THE MANUFACTURE OR SALE OF ITEMS WITHOUT WRITTEN PERMISSION. COPYRIGHT © 1975, DIGITAL EQUIPMENT CORPORATION.



\* SEE Y VARIATION CHART

REVISIONS		
CHK	CHANGE NO.	REV.

TITLE	PROM 1K (ROM)	SIZE CODE	DCS	NUMBER	M8349-0-1	REV.	F
SCALE	1:1	SHEET	5	OF	7	DIST.	



