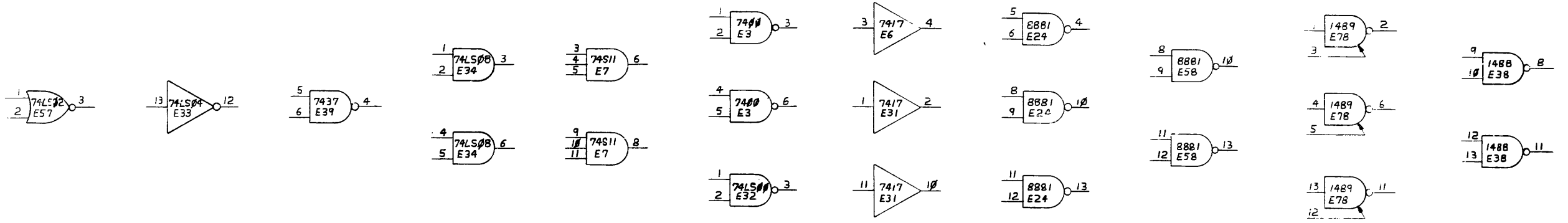


"THIS DRAWING AND SPECIFICATIONS, HEREIN, ARE THE PROPERTY OF DIGITAL EQUIPMENT CORPORATION AND SHALL NOT BE REPRODUCED OR COPIED OR USED IN WHOLE OR IN PART AS THE BASIS FOR THE MANUFACTURE OR SALE OF ITEMS WITHOUT WRITTEN PERMISSION. COPYRIGHT © 1976, DIGITAL EQUIPMENT CORPORATION"

SPARES



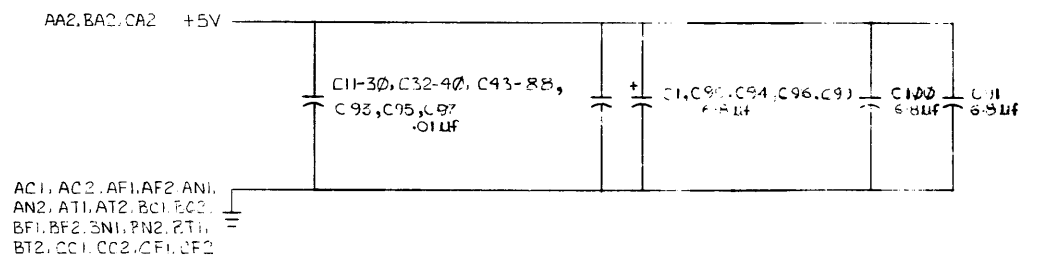
M8316 SWITCH SETTINGS

- SI-1 } SERIAL LINE BAUD RATE (SEE CHART)
- SI-2 }
- SI-3 }
- SI-4 }
- SI-5 ON = REAL TIME CLOCK ENABLED
OFF = REAL TIME CLOCK DISABLED
- SI-6 ON = TEST SWITCH (ALWAYS ON)
- SI-7 ON = 1 STOP BIT IN SLU CHARACTER
OFF = 2 STOP BITS IN SLU CHARACTER
- SI-8 ON = ASR/KSR 33 DR35 FILTER IN (ACROSS SLU 20 MA RECV LEADS)
OFF = FILTER OUT
- SI-9 ON = TSI CLEARS "DATA AVAIL" F/F IN PARALLEL I/O SECTION
OFF = "DATA AVAIL" NOT CLEARED BY TSI

SLU BAUD RATE SELECT CHART

SI-4	SI-3	SI-2	SI-1	BAUD RATE
ON	ON	ON	ON	50 BAUD
ON	ON	ON	OFF	75 BAUD
ON	ON	OFF	ON	110 BAUD
ON	ON	OFF	OFF	134.5 BAUD
ON	OFF	ON	ON	150 BAUD
ON	OFF	ON	OFF	300 BAUD
ON	OFF	OFF	ON	600 BAUD
ON	OFF	OFF	OFF	1200 BAUD
OFF	ON	ON	ON	1800 BAUD
OFF	ON	ON	OFF	2000 BAUD
OFF	ON	OFF	ON	2400 BAUD
OFF	ON	OFF	OFF	3600 BAUD
OFF	OFF	ON	ON	4200 BAUD
OFF	OFF	ON	OFF	7200 BAUD
OFF	OFF	OFF	ON	9600 BAUD
OFF	OFF	OFF	OFF	19.2K BAUD

* SERIAL LINE WILL NOT RUN AT THIS BAUD RATE. THIS SETTING IS NOT TO BE USED



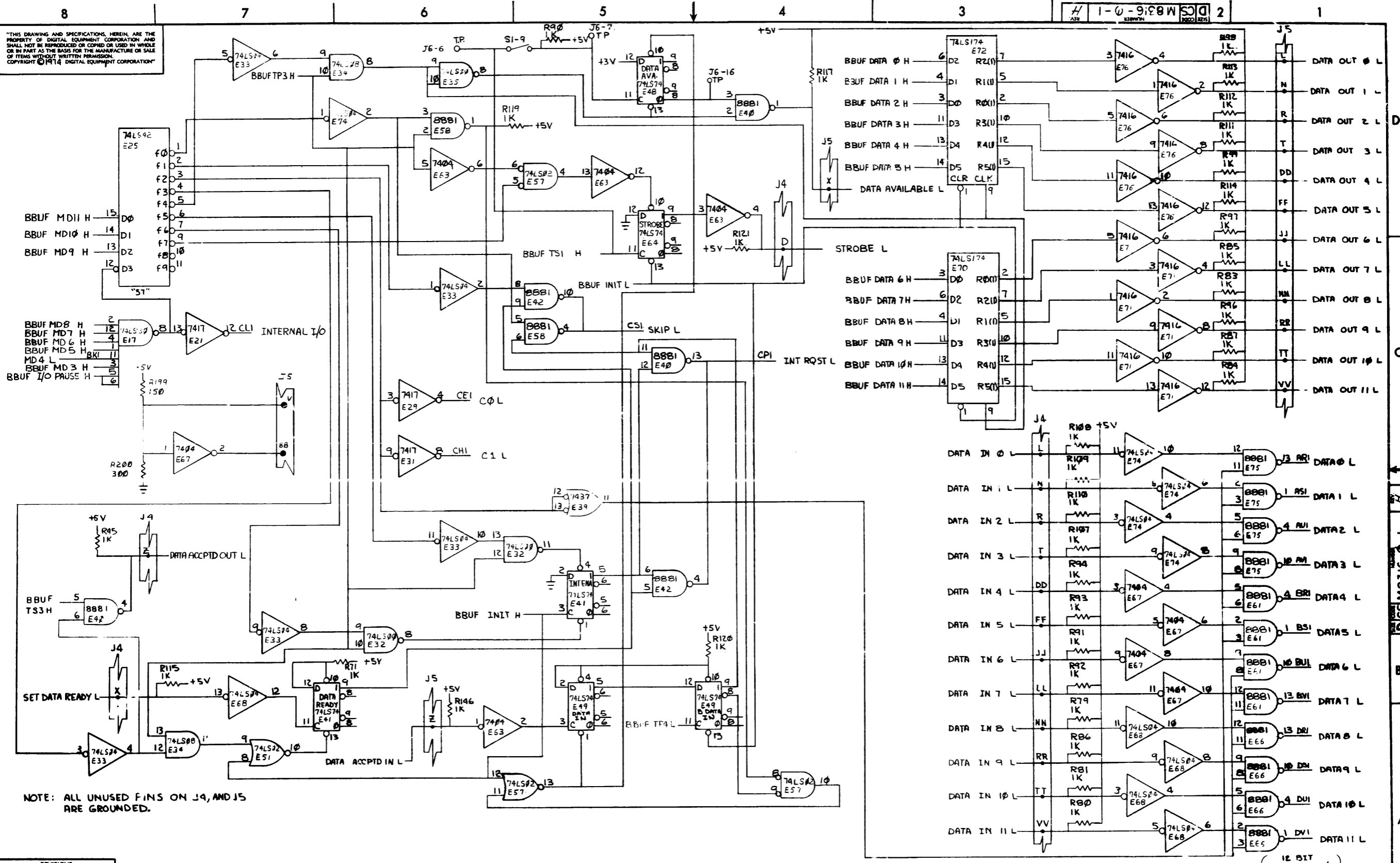
COMPONENT SUBSTITUTION CHART

PART CALLED P/N	DESCRIPTION	SUBSTITUTE PART P/N	DESCRIPTION
1001610-01	0.01µF DISC	1001610-00	0.01µF DISC
1909705	8881	1909973	97401
		1910392	5380
1911469	8640	1909971	6380
		1910310	7380
		1911113	11380
1912824	74LS74	1905547	7474
1912799	74LS00	1905575	7400
1912807	74LS10	1905576	7410
1912815	74LS30	1905578	7430
1912801	74LS02	1909004	7402
1912803	74LS04	1909686	7404
1912819	74LS42	1910046	7442
1912805	74LS08	1910155	7408
1912853	74LS175	1910651	74175
1912697	74LS174	1910652	74174

REV.	CHANGE NO.	ORIGINATOR	DATE
H	00005	H	
	M8316	P. SCANTLEBURY	

DRN. Approval 3-9-76	FIRST USED ON DKC B.	digital
CHK'D 3-30-76	TITLE	
ENG. 7-2-76	OPTION BD #1	
PROJ. ENG. 7-2-76	SIZE CODE DCS	NUMBER M8316-0-1
PROD. 7-2-76	SCALE	REV. H
NEXT HIGHER ASSY.	SHEET OF 8	DIST.

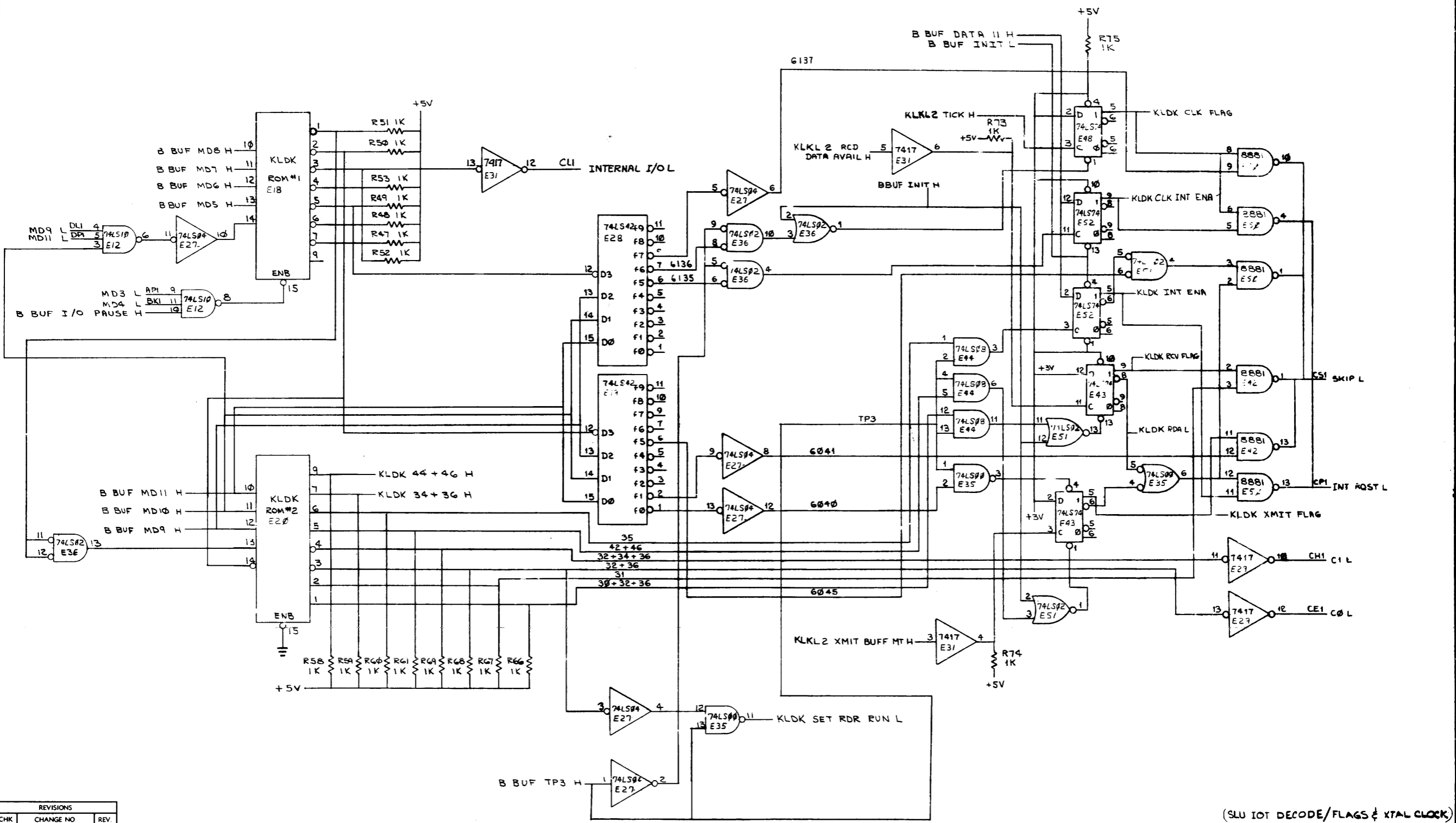
"THIS DRAWING AND SPECIFICATIONS, HEREIN, ARE THE PROPERTY OF DIGITAL EQUIPMENT CORPORATION AND SHALL NOT BE REPRODUCED OR COPIED OR USED IN WHOLE OR IN PART AS THE BASIS FOR THE MANUFACTURE OR SALE OF ITEMS WITHOUT WRITTEN PERMISSION. COPYRIGHT © 1974 DIGITAL EQUIPMENT CORPORATION"



NOTE: ALL UNUSED PINS ON J4, AND J5 ARE GROUNDED.

REVISIONS			TITLE		SIZE CODE		NUMBER		REV.
CHK	CHANGE NO.	REV.	OPTION BD #1		D CS		M8316-0-1		H
			SCALE		SHEET	2	OF	2	

"THIS DRAWING AND SPECIFICATIONS HEREIN ARE THE PROPERTY OF DIGITAL EQUIPMENT CORPORATION AND SHALL NOT BE REPRODUCED OR COPIED OR USED IN WHOLE OR IN PART AS THE BASIS FOR THE MANUFACTURE OR SALE OF ITEMS WITHOUT WRITTEN PERMISSION. COPYRIGHT © 1974, DIGITAL EQUIPMENT CORPORATION"

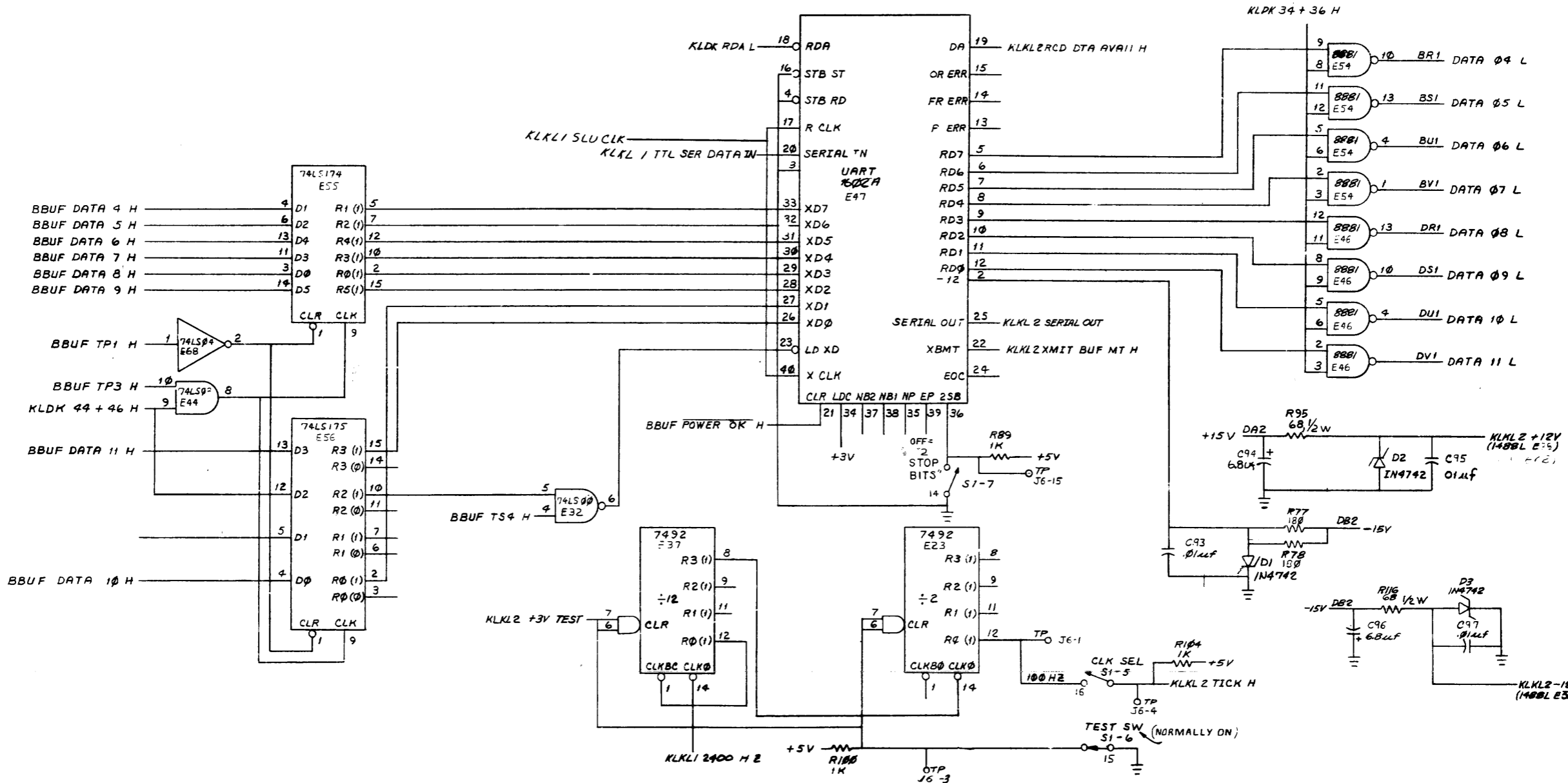


REVISIONS		
CHK	CHANGE NO	REV.

(SLU IOT DECODE/FLAGS & XTAL CLOCK)

TITLE	SIZE CODE	NUMBER	REV.
OPTION BD #1 (KLDK)	DCS	MB316-0-1	H
SCALE	SHEET 3 OF 3	DIST.	

THIS DRAWING AND SPECIFICATIONS HEREIN ARE THE PROPERTY OF DIGITAL EQUIPMENT CORPORATION AND SHALL NOT BE REPRODUCED OR COPIED OR USED IN WHOLE OR IN PART AS THE BASIS FOR THE MANUFACTURE OR SALE OF ITEMS WITHOUT WRITTEN PERMISSION. COPYRIGHT © 1974, DIGITAL EQUIPMENT CORPORATION.

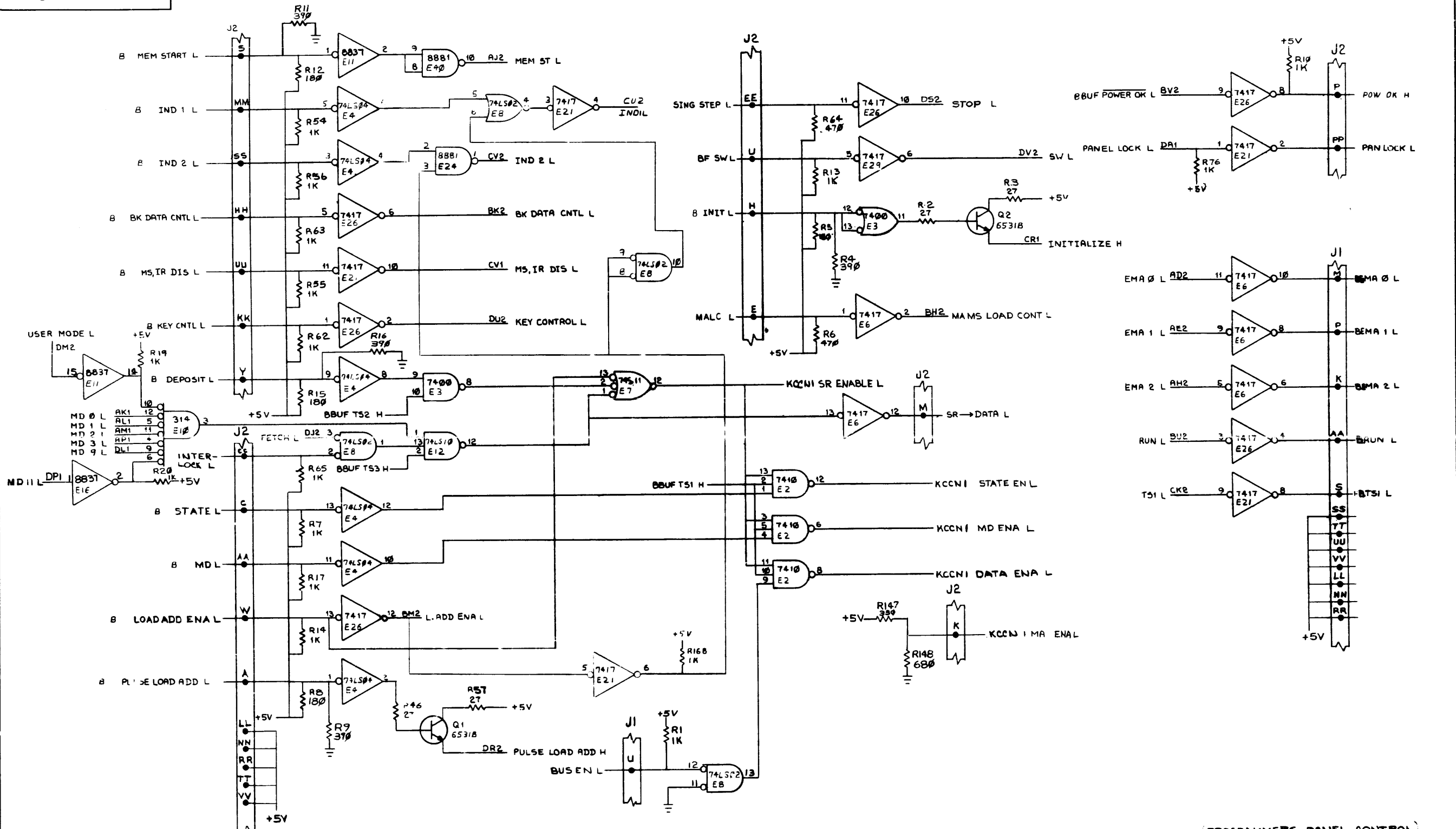


REVISIONS		
CHK	CHANGE NO	REV

TITLE		OPTION BD *1 (KLK2)		SIZE CODE	NUMBER	REV.
SCALE		SHEET 5 OF 8		D CS	M8316-0-1	H

(UART & XTAL CLK FREQ SOURCE)

THIS DRAWING AND SPECIFICATIONS, HEREIN, ARE THE PROPERTY OF DIGITAL EQUIPMENT CORPORATION AND SHALL NOT BE REPRODUCED OR COPIED OR USED IN WHOLE OR IN PART AS THE BASIS FOR THE MANUFACTURE OR SALE OF ITEMS WITHOUT WRITTEN PERMISSION. COPYRIGHT © 1974, DIGITAL EQUIPMENT CORPORATION.

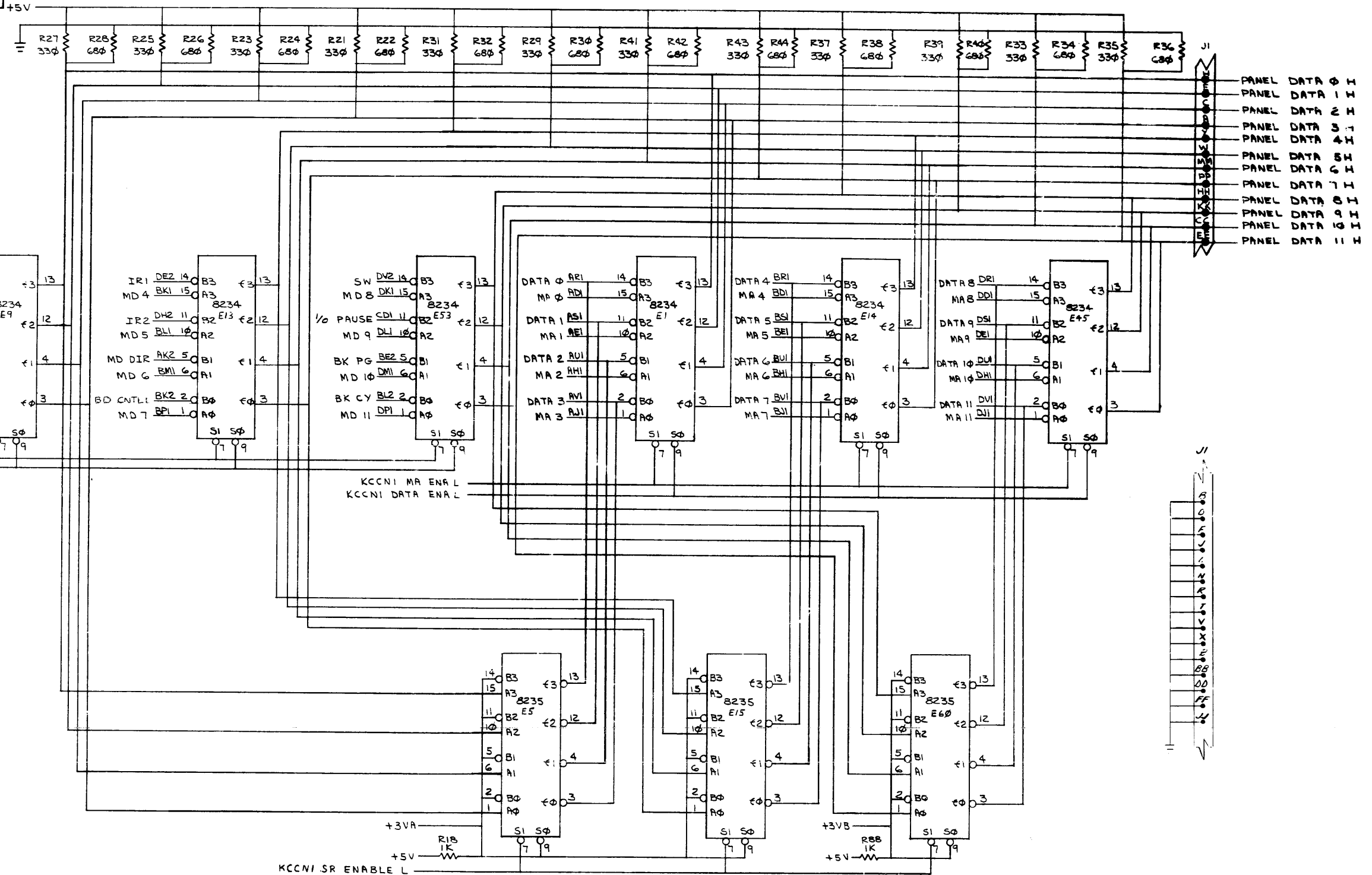


(PROGRAMMER'S PANEL CONTROL)

CHK	CHANGE NO	REV

TITLE	OPTION BD #1 (KCCN I)	SIZE CODE	D CS	NUMBER	M8316-0-1	REV.	H
SCALE	1:1	SHEET	E OF B	DIST.			

"THIS DRAWING AND SPECIFICATIONS, HEREIN, ARE THE PROPERTY OF DIGITAL EQUIPMENT CORPORATION AND SHALL NOT BE REPRODUCED OR COPIED OR USED IN WHOLE OR IN PART AS THE BASIS FOR THE MANUFACTURE OR SALE OF ITEMS WITHOUT WRITTEN PERMISSION. COPYRIGHT © 1974, DIGITAL EQUIPMENT CORPORATION"

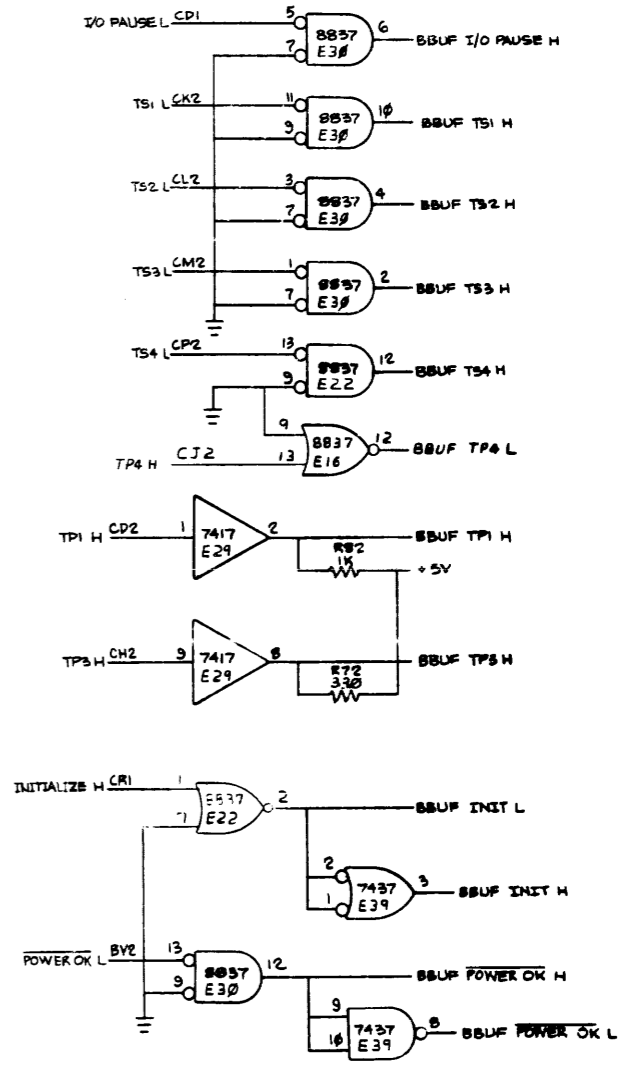
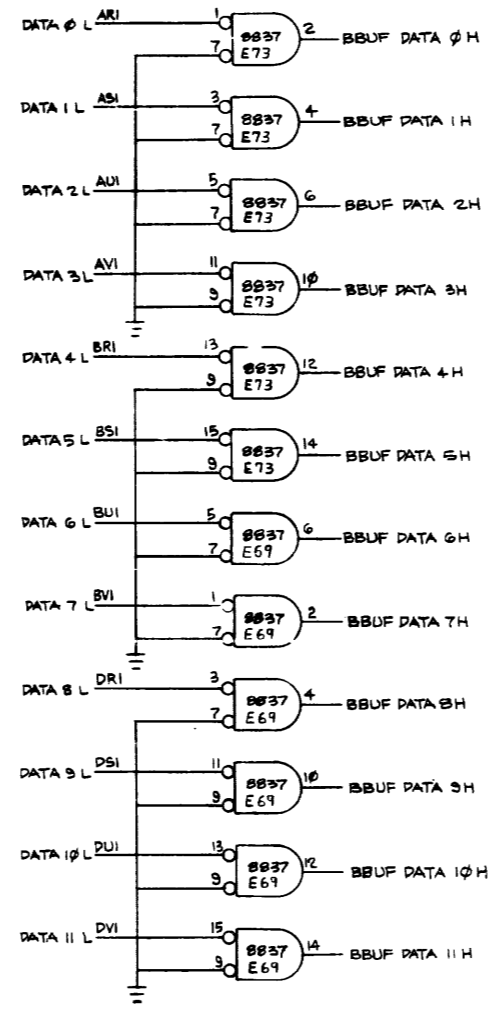
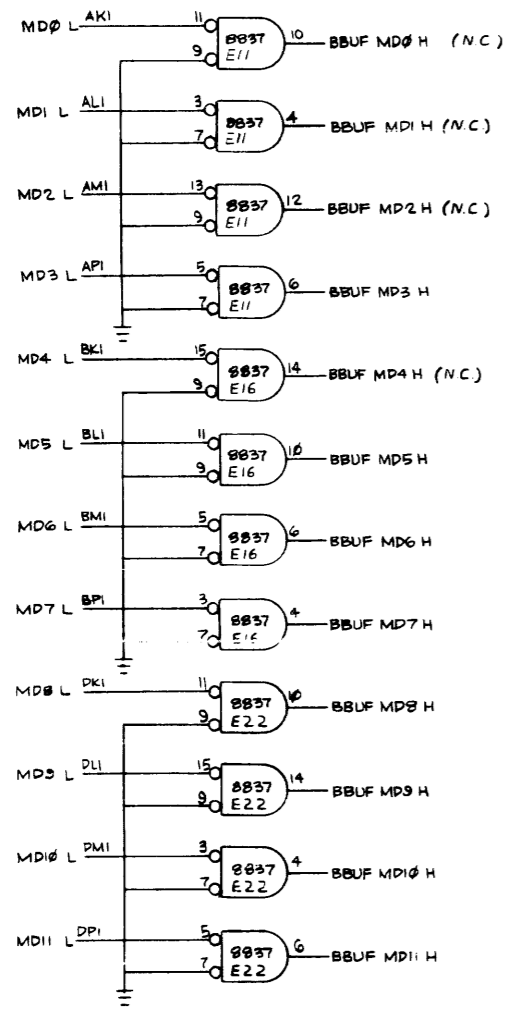


(PROGRAMMERS PANEL MULTIPLEXERS)

REVISIONS			TITLE		SIZE CODE	NUMBER	REV.
CHK	CHANGE NO.	REV.	OPTION BOARD #1		(KCGN)	DCSM8316-0-1	H
			SCALE	SHEET	DIST.	7 OF 8	

DCSM8316-0-1 H

"THIS DRAWING AND SPECIFICATIONS HEREIN ARE THE PROPERTY OF DIGITAL EQUIPMENT CORPORATION AND SHALL NOT BE REPRODUCED OR COPIED OR USED IN WHOLE OR IN PART AS THE BASIS FOR THE MANUFACTURE OR SALE OF ITEMS WITHOUT WRITTEN PERMISSION. COPYRIGHT © 1974 DIGITAL EQUIPMENT CORPORATION"



(BUS BUFFERS)

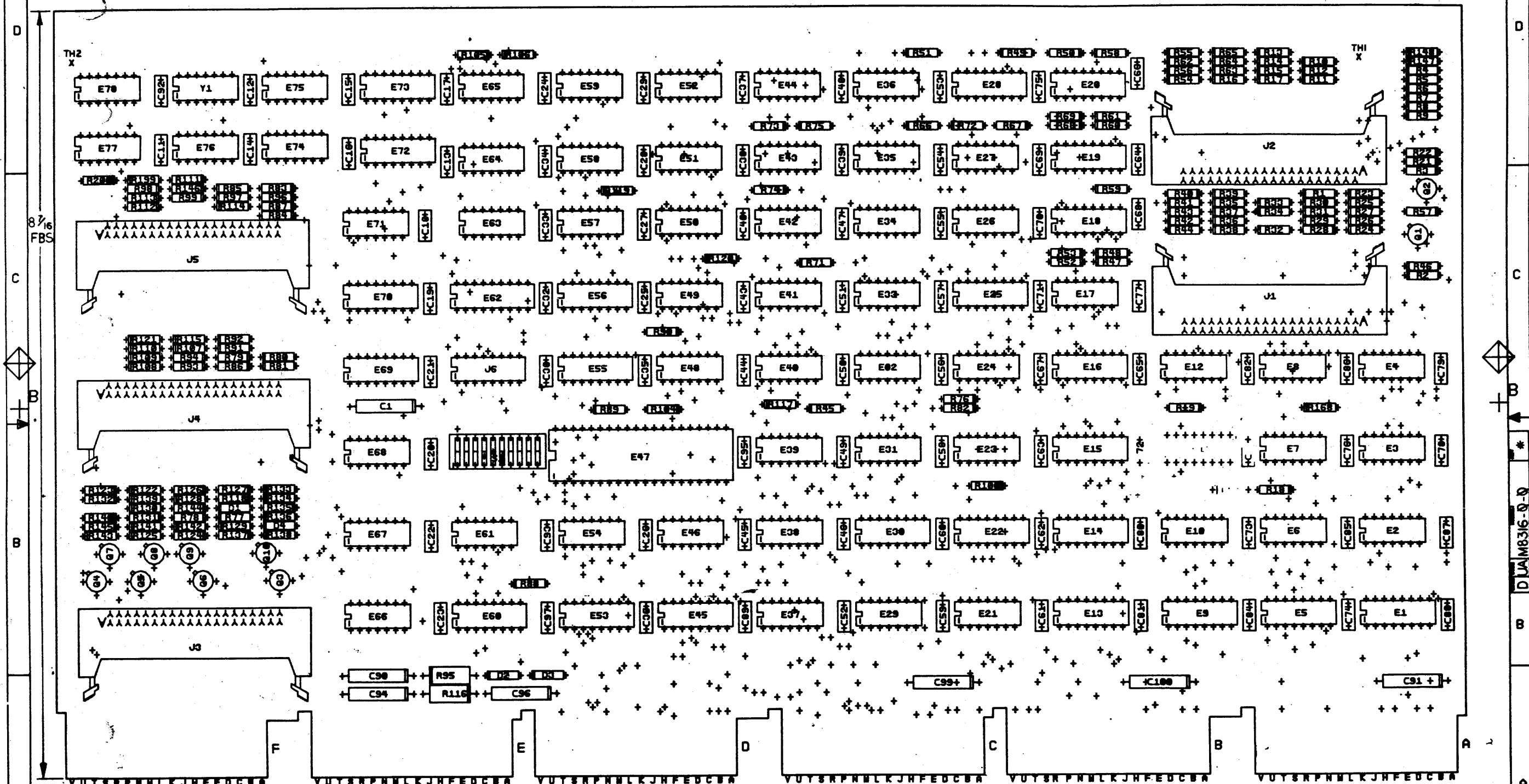
REVISIONS		
CHK	CHANGE NO.	REV.

TITLE	8/A INTERNAL OPTIONS (BUFF)	SIZE CODE	D CS	NUMBER	M8316-0-1	REV.	H
SCALE	1:1	SHEET	8	OF	8	DIST.	

M8316-0-1

COMPONENT SIDE VIEW

1976



NOTES:

CHANGE NO.	REV.	DATE
ORGANIZED		
7/76 M8316-0002		

ETCH REV.	
P.C. DESIGN DATA BASE REV.	

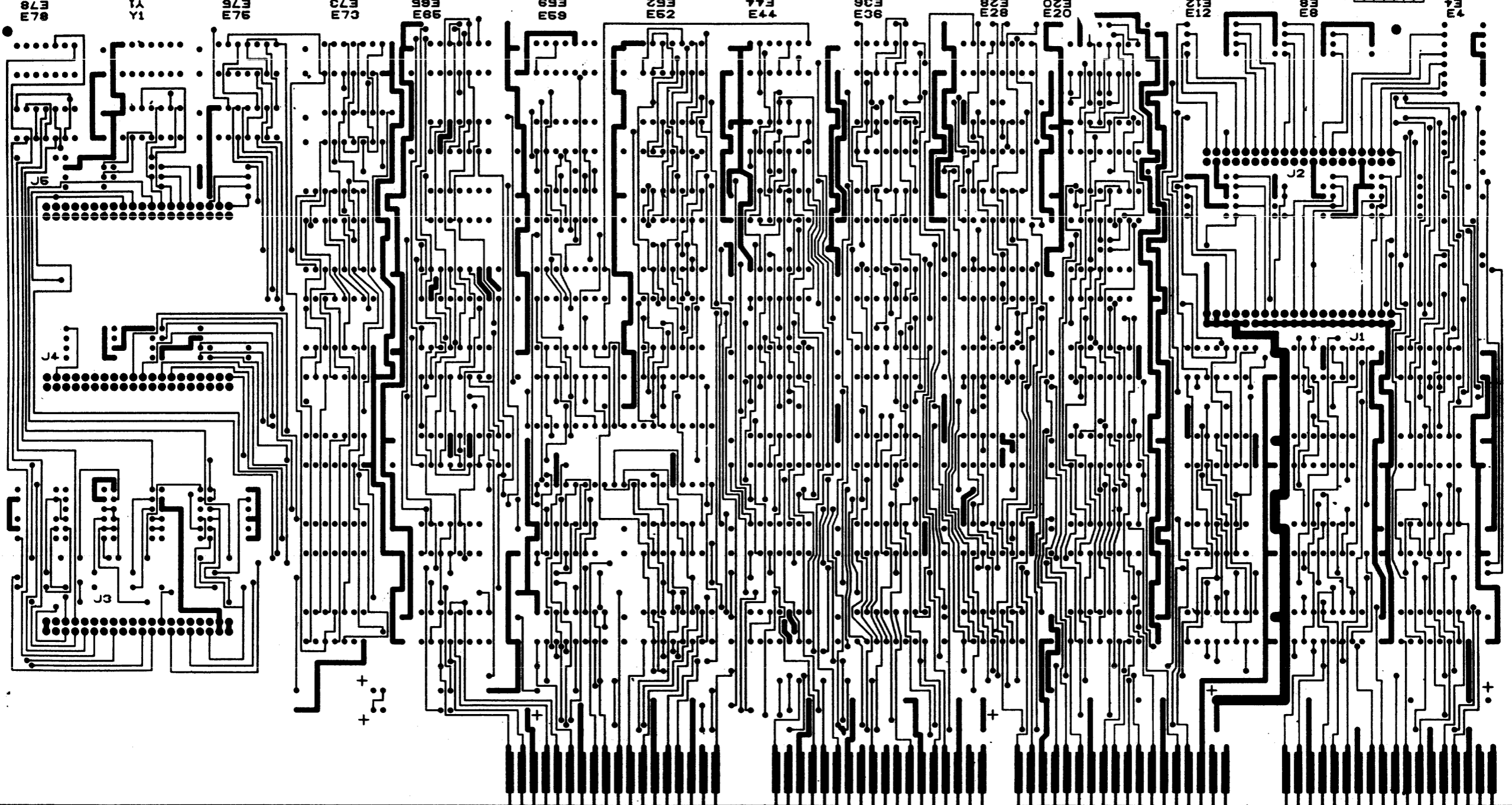
SIGNATURES	DATE	digital
DRN. <i>Virginia Kaufman</i>	6-27-76	
CHK'D. <i>V. Kaufman</i>	6-27-76	
ENG. <i>P. D. Smith</i>	7-2-76	
PROJ. ENG. <i>P. D. Smith</i>	7-2-76	
PROD. <i>P. D. Smith</i>	7-2-76	TITLE
SCALE 2/1		OPTION BOARD #1
SHT. 1 OF 3		SIZE CODE
NEXT NUMBER ASSY. B-00-M8316-0		D UAM8316-Q-0
		NUMBER
		M8316-Q-0
		REV
		*

THIS DRAWING AND SPECIFICATIONS HEREIN ARE THE PROPERTY OF DIGITAL EQUIPMENT CORPORATION AND SHALL NOT BE REPRODUCED OR COPIED OR USED IN WHOLE OR IN PART AS THE BASIS FOR THE MANUFACTURE OR SALE OF ITEMS WITHOUT WRITTEN PERMISSION. COPYRIGHT © 1976, DIGITAL EQUIPMENT CORPORATION.

MS40566 M8316 5010900D P4

0-0-9198W 2

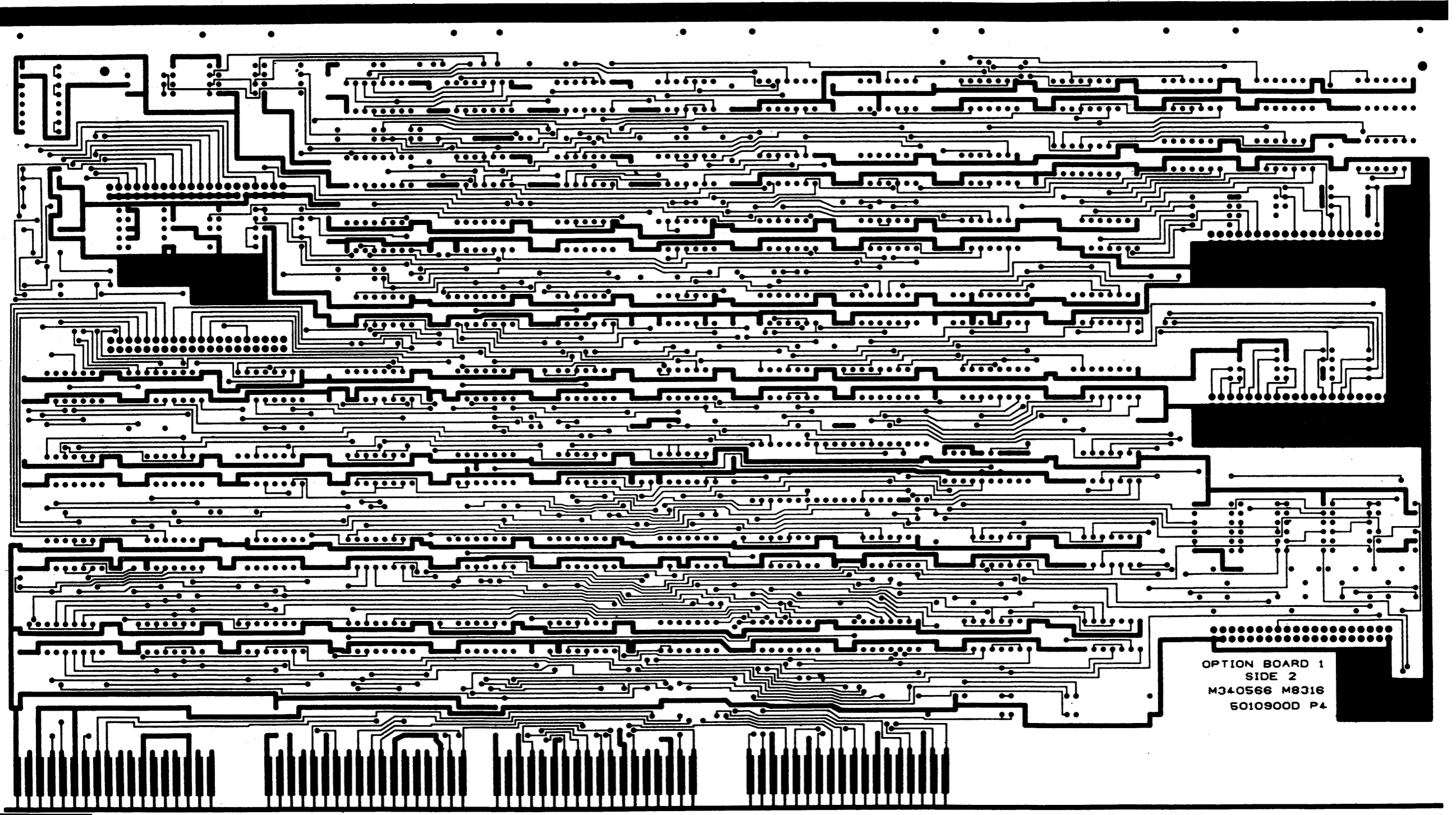
CSXABCDEFGHIJKLMNPRS



REVISIONS			TITLE		SIZE CODE	NUMBER	REV.
CHK	CHANGE NO	REV.	OPTION BOARD *1		D UA	M8316-0-0	*
			SCALE 2/1	SHEET 2 OF 3	DIST.		

DUA M8316-0-0 *

THIS DRAWING AND SPECIFICATIONS HEREIN ARE THE PROPERTY OF DIGITAL EQUIPMENT CORPORATION AND SHALL NOT BE REPRODUCED OR COPIED OR USED IN WHOLE OR IN PART AS THE BASIS FOR THE MANUFACTURE OR SALE OF ITEMS WITHOUT WRITTEN PERMISSION. COPYRIGHT © 1976 DIGITAL EQUIPMENT CORPORATION



OPTION BOARD 1
 SIDE 2
 M340566 M8316
 6010900D P4

REVISIONS		
CHK	CHANGE NO.	REV.

TITLE	OPTION BOARD *1	SIZE CODE	DUA	NUMBER	M8316-0-0	REV.	*
SCALE	2/1	SHEET	3 OF 3	DIST.			

M8316-0-0
 DUA
 M8316-0-0