

THIS DRAWING AND SPECIFICATIONS HEREIN ARE THE PROPERTY OF DIGITAL EQUIPMENT CORPORATION AND SHALL NOT BE REPRODUCED OR COPIED OR USED IN WHOLE OR IN PART AS THE BASIS FOR THE MANUFACTURE OR SALE OF ITEMS WITHOUT WRITTEN PERMISSION. COPYRIGHT © 1970, DIGITAL EQUIPMENT CORPORATION.

DCS M8315-0-1 2

1	E51	IC DEC 74157	1910055	40
7	E60, E70, E80, E95, E107, E100, E115	IC DEC 74S150	1910540	40
3	E75, E83, E94	IC DEC 74163	1911713	50
2	E5, E42	IC DEC 74S175	1910067	51
0	E9, E11, E12, E18, E81, E90, E104, E114	IC DEC 74S184	1910952	52
1	E30	IC DEC 300	1909405	53
2	E07, E73	IC DEC 0093	1910037	54
4	E77, E84, E104, E105	IC DEC 0097	1911527	55
3	E09, E09, E90	IC DEC 0234	1911315	56
3	E81, E87, E92	IC DEC 0235	1909035	57
1	E31	IC DEC 0271	1909015	58
5	E30, E35, E37, E39, E95	IC DEC 0301	1909705	59
11	E50, E82, E83, E91, E90, E87, E103, E100, E100, E111, E112	IC DEC 74173-1	1911330-01	60
1	E80	256 BIT ROM (A)	23076A1	61
1	E57	256 BIT ROM (B)	23077A1	62
1	E70	256 BIT ROM (C)	23078A1	63
1	E72	256 BIT ROM (D)	23075A1	64
1	E76	256 BIT ROM (E)	23074A1	65
1	E83	256 BIT ROM (H)	23073A1	66
1	E30	256 BIT ROM (J)	23070A1	67
1	E53	1024 BIT ROM (F)	23080A2	68

SWITCH SELECTION CHART
(FOR AUTO RESTART LOCATION)

SWI-	1	FIELD 7	}	ONLY ONE SWITCH MAY BE CLOSED AT A TIME.
	2	4000		
	3	2000		
	4	1000		
	5	400		
	6	200		
	7	OFF (DISABLES AUTO RESTART)		
	8	OFF FOR NORMAL OPERATION		

COMPONENT SUBSTITUTION CHART

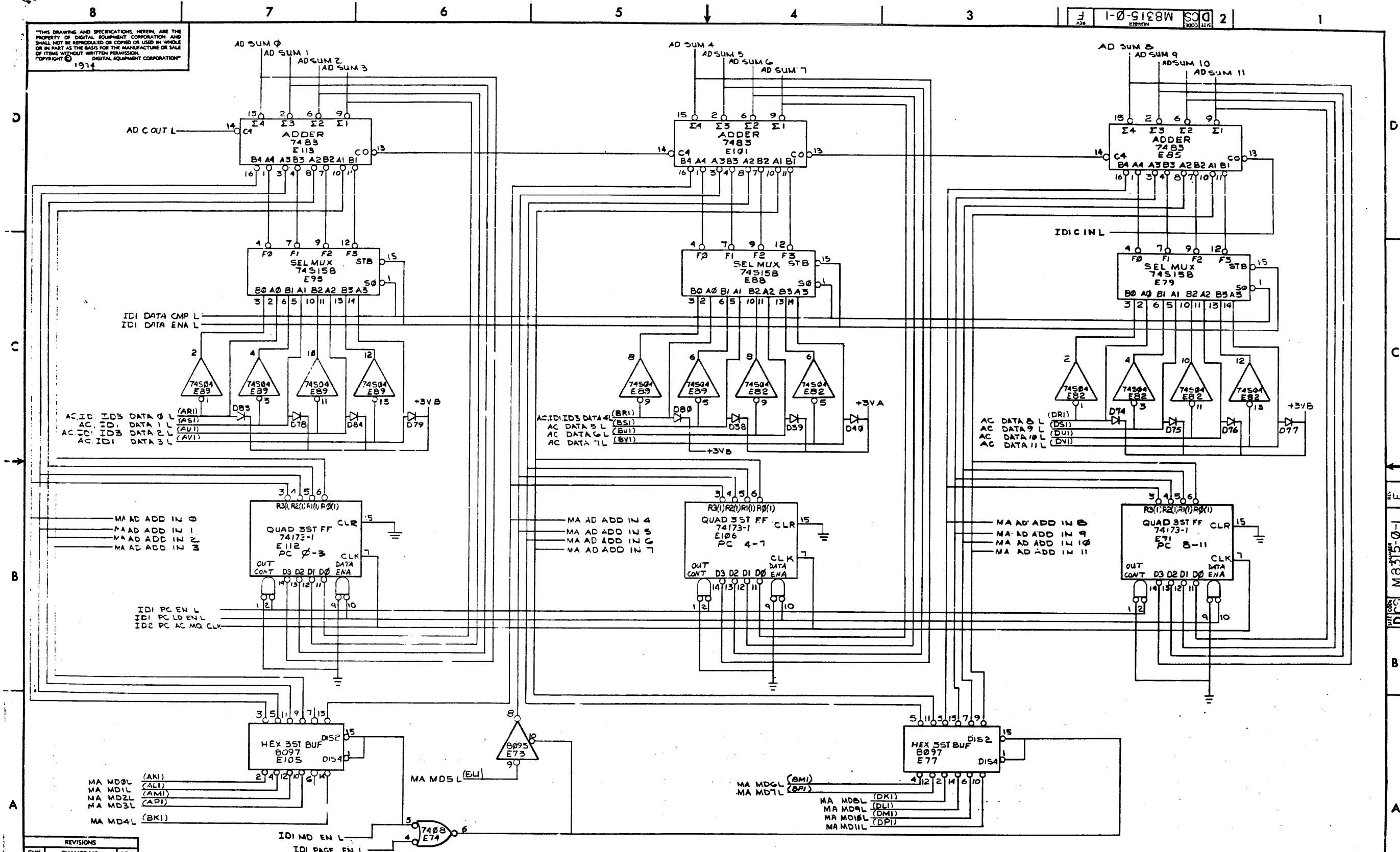
PART CALLED FOR			SUBSTITUTE PART		
QTY	PART NO	DESC	QTY	PART NO	DESC
1	1901485	IC 380	1	910392	5580
			1	904771	5580
			1	710390	7380
			1	1911464	8240

REVISIONS		
CHK	CHANGE NO.	REV.

TITLE	HEX OMNIBUS CPU	SIZE CODE	DCS	NUMBER	M8315-0-1	REV.	F
SCALE	1:1	SHEET	2	OF 10	DIST.		

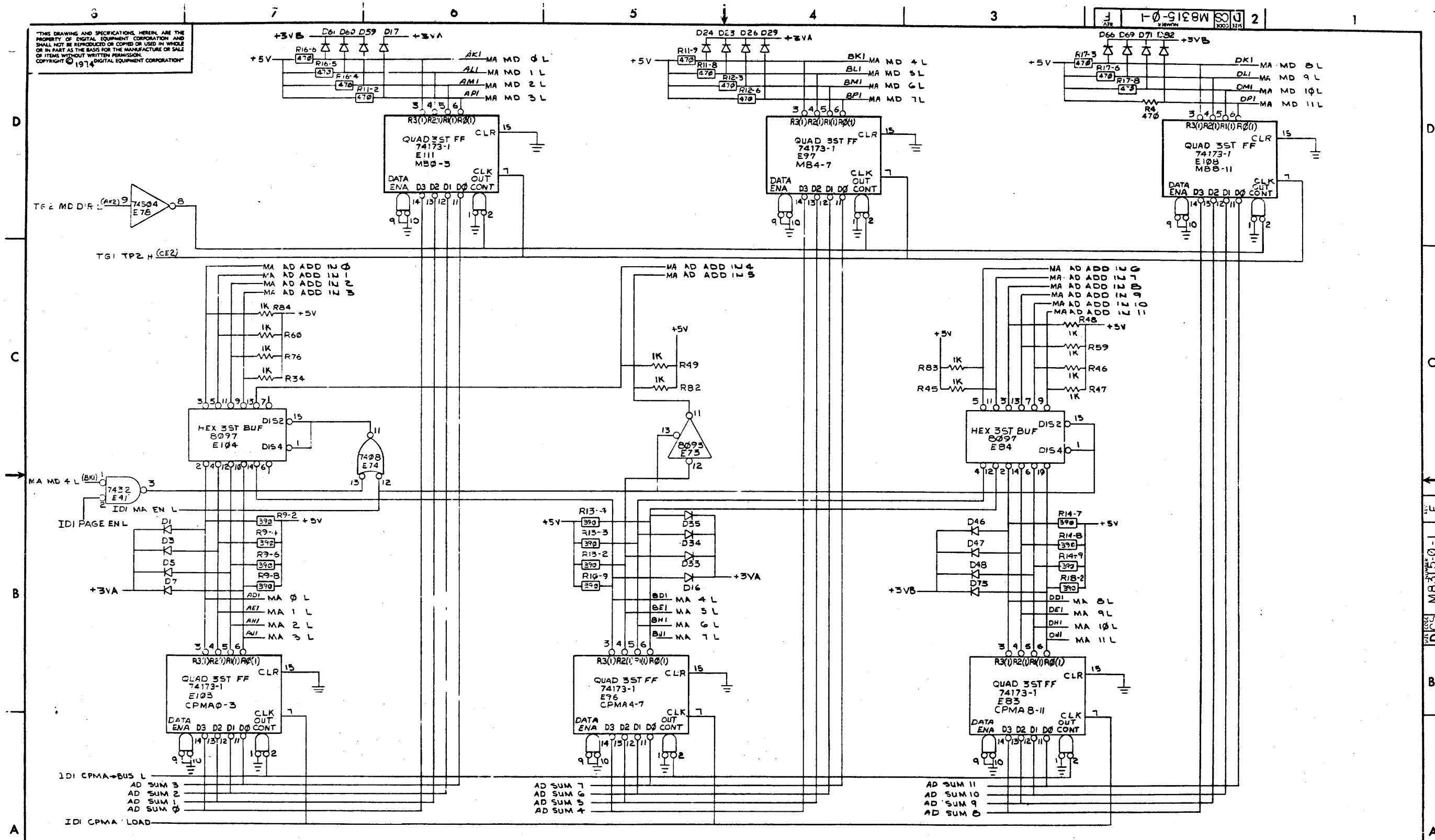
DCS M8315-0-1 F

"THIS DRAWING AND SPECIFICATIONS, HEREIN, ARE THE PROPERTY OF DIGITAL EQUIPMENT CORPORATION AND SHALL NOT BE REPRODUCED OR COPIED IN WHOLE OR IN PART AS THE BASIS FOR THE MANUFACTURE OR SALE OF ITEMS WITHOUT WRITTEN PERMISSION. COPYRIGHT © 1974 DIGITAL EQUIPMENT CORPORATION"



REVISIONS		
CHK	CHANGE NO.	REV.

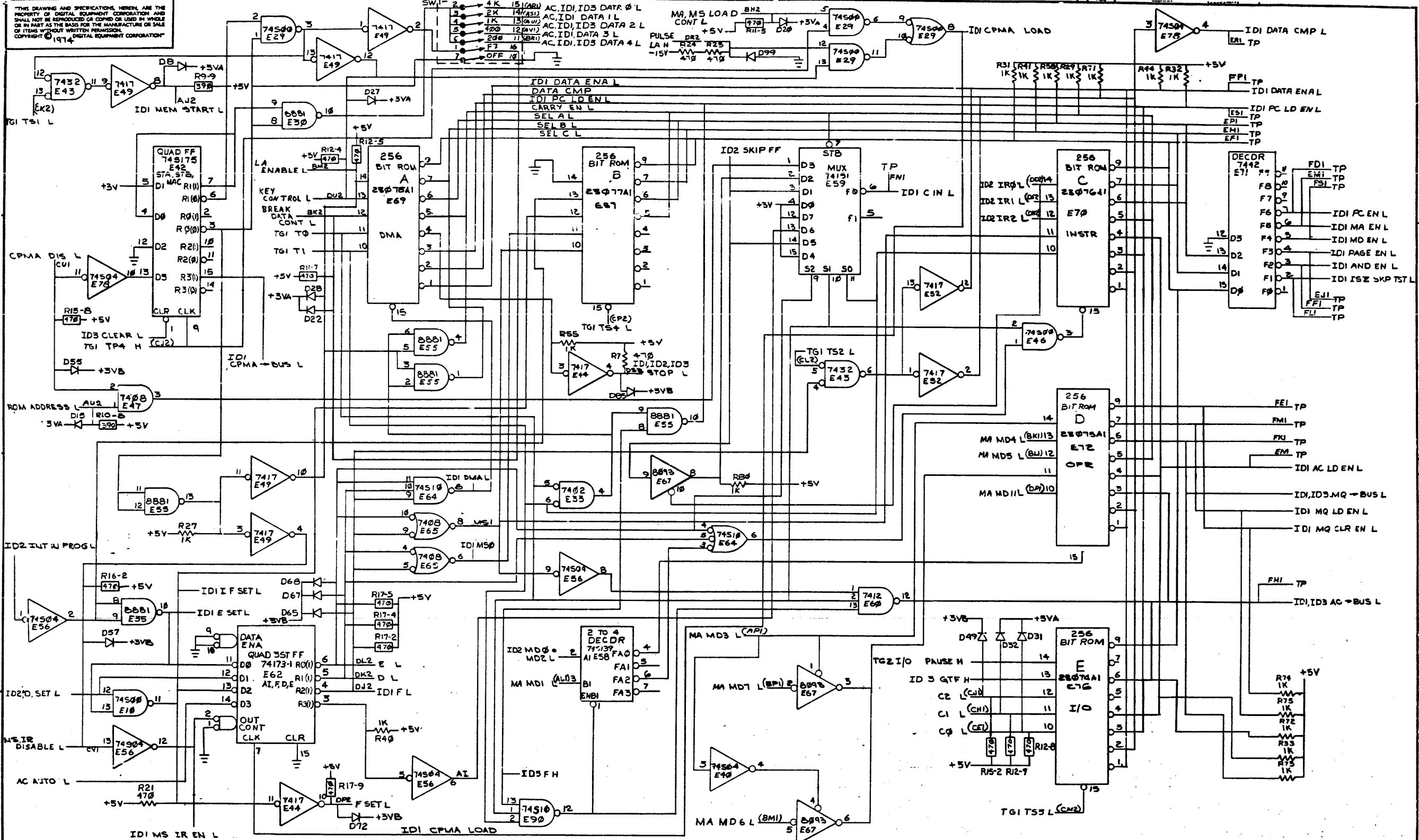
THIS DRAWING AND SPECIFICATIONS, HEREIN, ARE THE PROPERTY OF DIGITAL EQUIPMENT CORPORATION AND SHALL NOT BE REPRODUCED OR COPIED OR USED IN WHOLE OR IN PART AS THE BASIS FOR THE MANUFACTURE OR SALE OF ITEMS WITHOUT WRITTEN PERMISSION. COPYRIGHT © 1974 DIGITAL EQUIPMENT CORPORATION



REVISIONS			TITLE		SIZE CODE	NUMBER	REV.
CHK	CHANGE NO.	REV.	PDP-11 CPU (MA)		DCS	M8315-0-1	F
			SCALE	SHEET 5 OF 10	DIST.		

M8315-0-1 F

THIS DRAWING AND SPECIFICATIONS HEREIN ARE THE PROPERTY OF DIGITAL EQUIPMENT CORPORATION AND SHALL NOT BE REPRODUCED OR COPIED OR USED IN WHOLE OR IN PART AS THE BASIS FOR THE MANUFACTURE OR SALE OF ITEMS WITHOUT WRITTEN PERMISSION. COPYRIGHT © 1974 DIGITAL EQUIPMENT CORPORATION

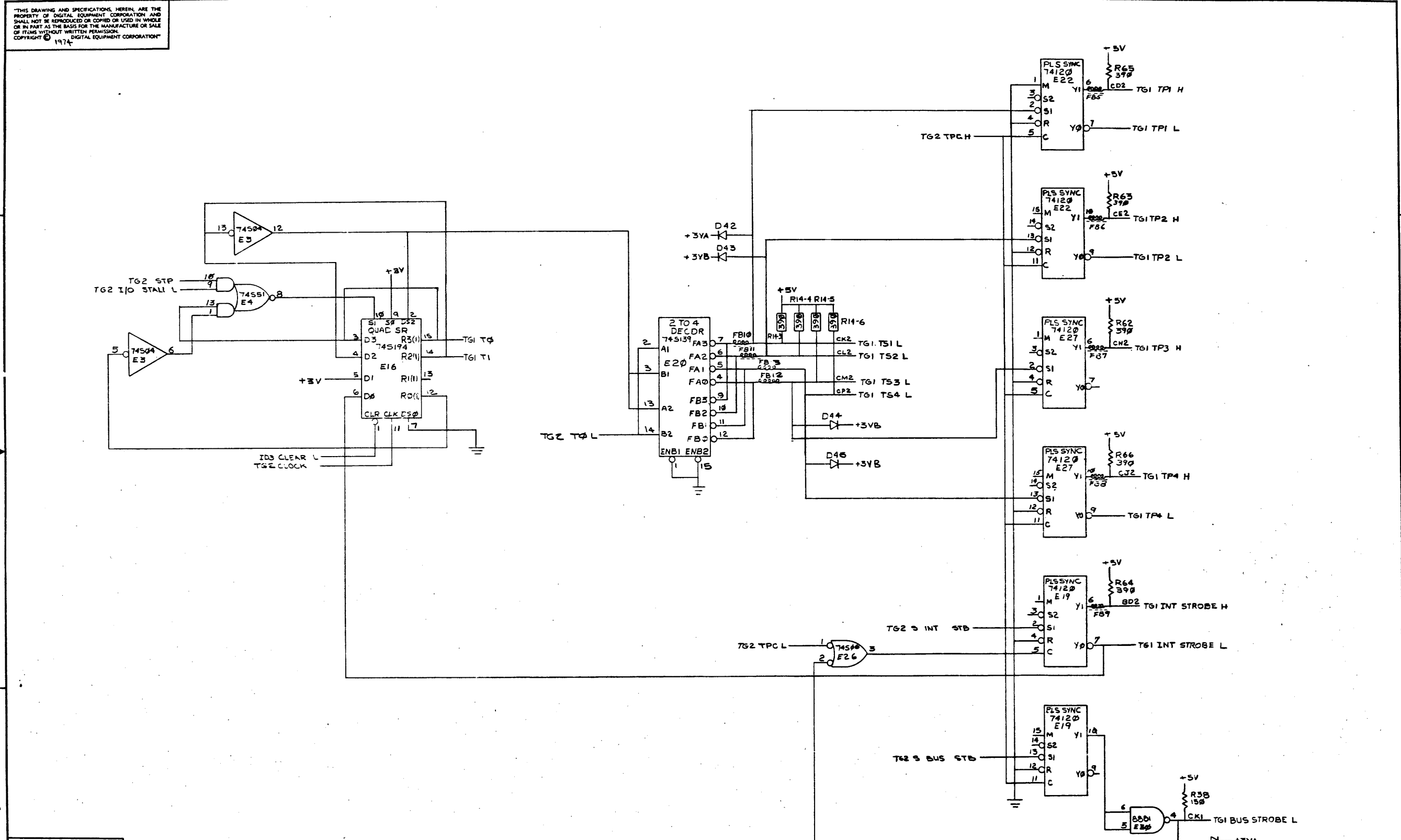


CHK	CHANGE NO.	REV.

TITLE	SIZE CODE	NUMBER	REV.
PDP8A CPU (DD)	DCS	M8315-0-1	F
SCALE	SHEET 6 OF 10	DIST.	

THIS DRAWING AND SPECIFICATIONS HEREIN ARE THE PROPERTY OF DIGITAL EQUIPMENT CORPORATION AND SHALL NOT BE REPRODUCED OR COPIED OR USED IN WHOLE OR IN PART AS THE BASIS FOR THE MANUFACTURE OR SALE OF ITEMS WITHOUT WRITTEN PERMISSION. DIGITAL EQUIPMENT CORPORATION. COPYRIGHT © 1974

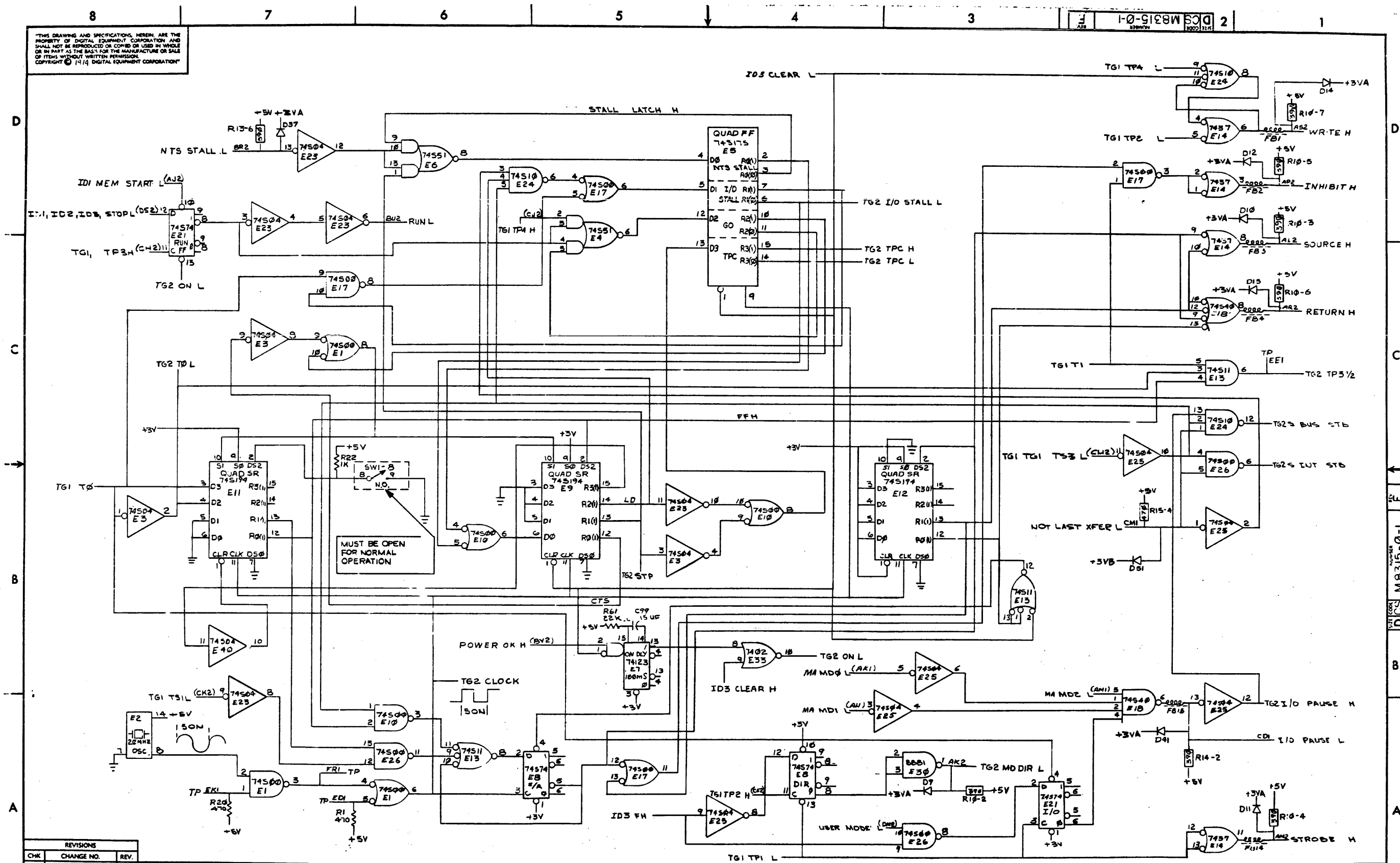
DCS M8315-0-1 2



REVISIONS		
CHK	CHANGE NO.	REV.

TITLE	PDP8A CPU (TGD)	SIZE CODE	DCS	NUMBER	M8315-0-1	REV.	F
SCALE	1:1	SHEET	9	OF 10	DIST.		

THIS DRAWING AND SPECIFICATIONS, HEREIN, ARE THE PROPERTY OF DIGITAL EQUIPMENT CORPORATION AND SHALL NOT BE REPRODUCED OR COPIED OR USED IN WHOLE OR IN PART AS THE BASIS FOR THE MANUFACTURE OR SALE OF ITEMS WITHOUT WRITTEN PERMISSION. COPYRIGHT © 1974 DIGITAL EQUIPMENT CORPORATION



REVISIONS		
CHK	CHANGE NO.	REV.