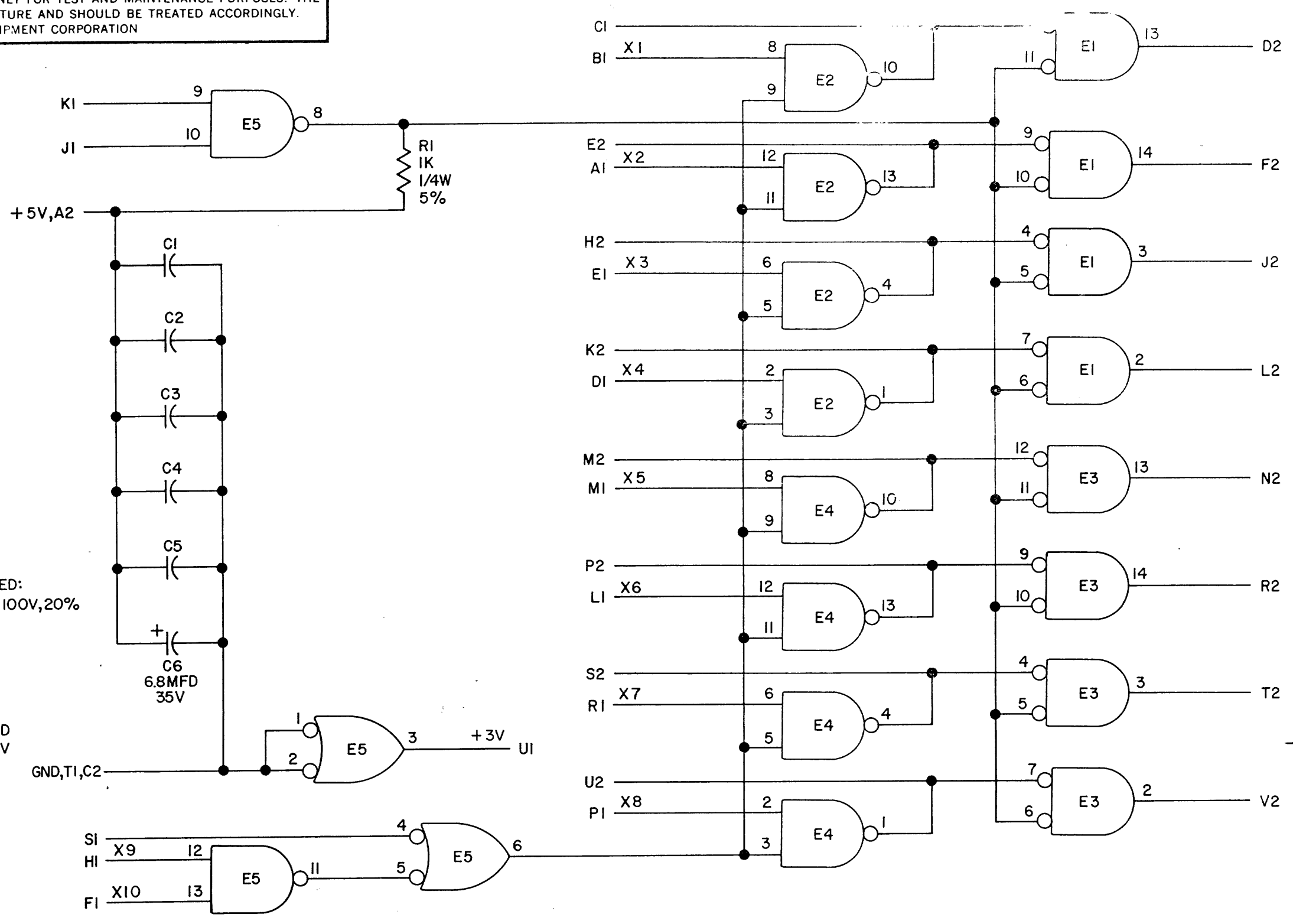


THIS SCHEMATIC IS FURNISHED ONLY FOR TEST AND MAINTENANCE PURPOSES. THE CIRCUITS ARE PROPRIETARY IN NATURE AND SHOULD BE TREATED ACCORDINGLY. COPYRIGHT 1969 BY DIGITAL EQUIPMENT CORPORATION

REV. NUMBER M785-0-1



UNLESS OTHERWISE INDICATED:
 CAPACITORS ARE .01MFD, 100V, 20%
 E1, E3 ARE DEC380A
 E2, E4 ARE DEC888I
 E5 IS DEC7400
 PIN 1 ON E1, E3 = GND
 PIN 8 ON E1, E3 = +5V
 PIN 7 ON E2, E4, E5 = GND
 PIN 14 ON E2, E4, E5 = +5V

REVISIONS	CHK	CHG NO.	REV.	A	DRN.	DATE	TRANSISTOR & DIODE CONVERSION CHART				digital EQUIPMENT CORPORATION MAYNARD, MASSACHUSETTS	TITLE UNIBUS TRANCEIVERS M785			
	0001		A		CHK'D	DATE	DEC	EIA	DEC	EIA		SIZE	CODE	NUMBER	REV.
					ENG.	DATE						B	CS	M785-0-1	A
					PROD.	DATE						PRINTED CIRCUIT REV. A B			

3 PWR DIST. 2711, 434, 4353