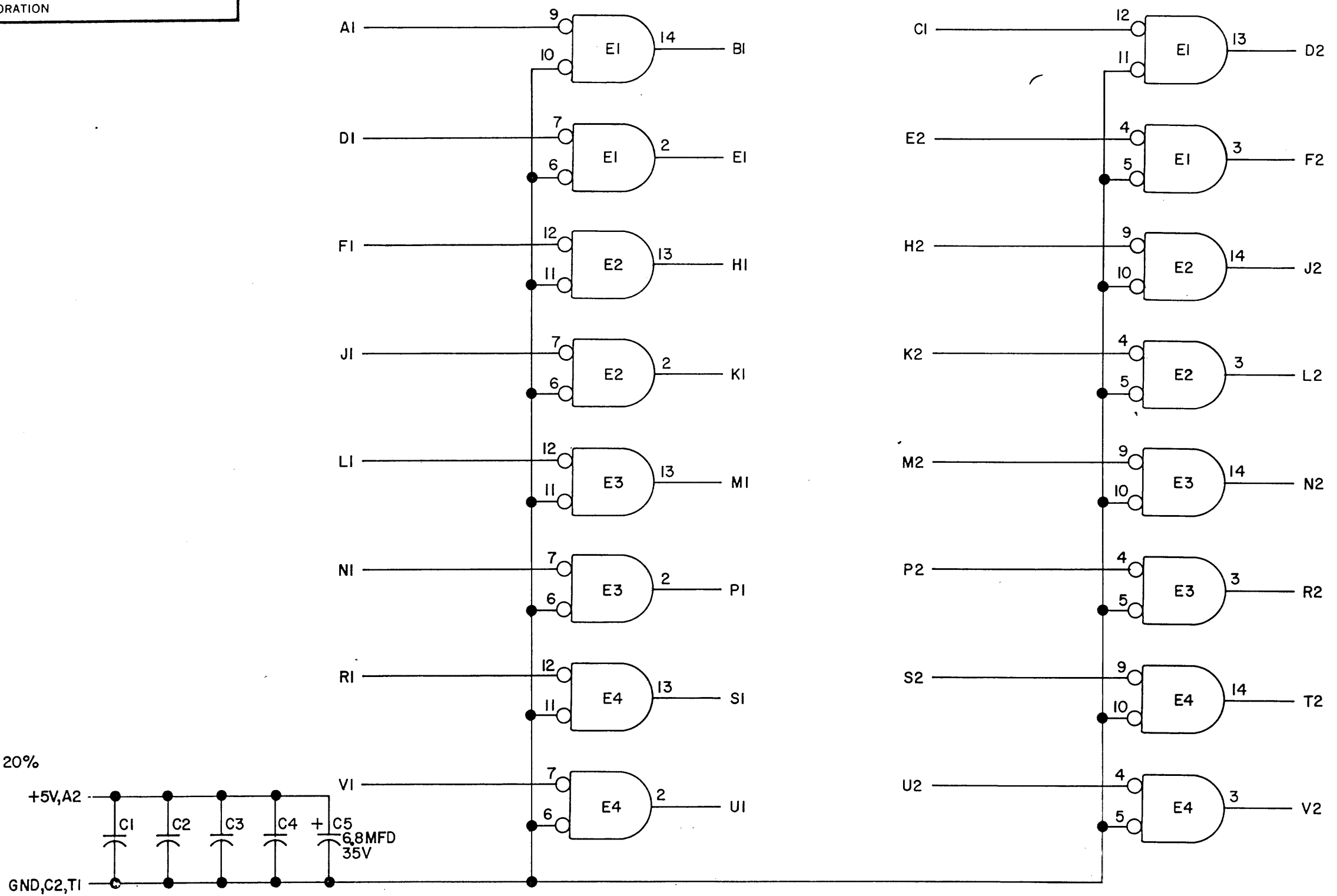


THIS SCHEMATIC IS FURNISHED ONLY FOR TEST AND MAINTENANCE PURPOSES. THE CIRCUITS ARE PROPRIETARY IN NATURE AND SHOULD BE TREATED ACCORDINGLY. COPYRIGHT 1969 BY DIGITAL EQUIPMENT CORPORATION



UNLESS OTHERWISE INDICATED:  
CAPACITORS ARE .01MFD, 100V, 20%  
IC'S ARE DEC380  
PIN 1 ON EACH IC=GND  
PIN 8 ON EACH IC=+5V

REV. NO.	REV.
00001	A
00002	B

DRN <i>[Signature]</i>	DATE 11-18-69
CHK'D <i>[Signature]</i>	DATE 1-7-70
ENS <i>[Signature]</i>	DATE 3/11/70
PROD.	DATE

TRANSISTOR & DIODE CONVERSION CHART			
DEC	EIA	DEC	EIA

**digital**  
EQUIPMENT CORPORATION  
MAYNARD, MASSACHUSETTS

TITLE UNIBUS RECEIVERS M784			
SIZE B	CODE CS	NUMBER M784-0-1	REV. B
PRINTED CIRCUIT REV.			A B C