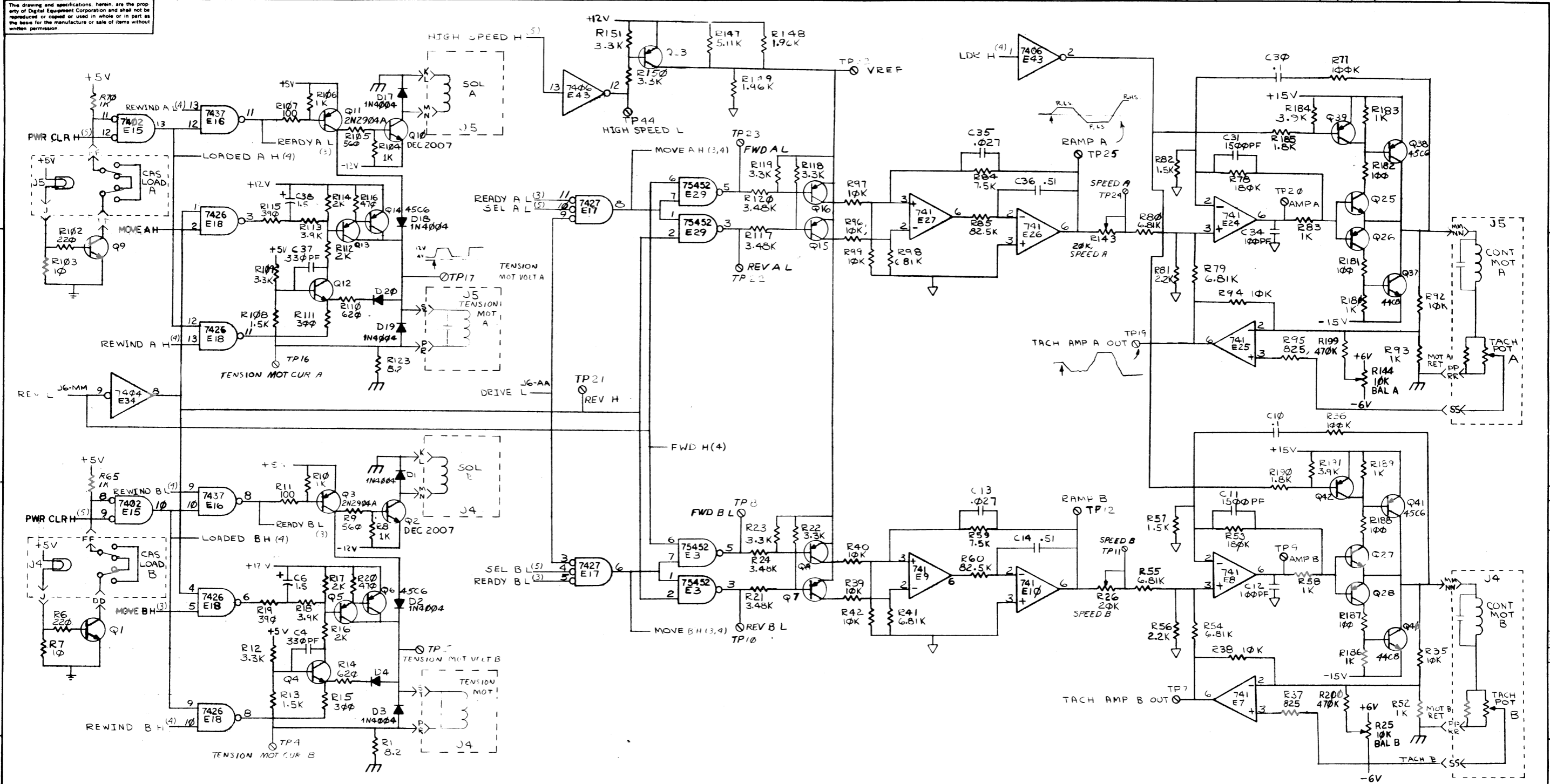


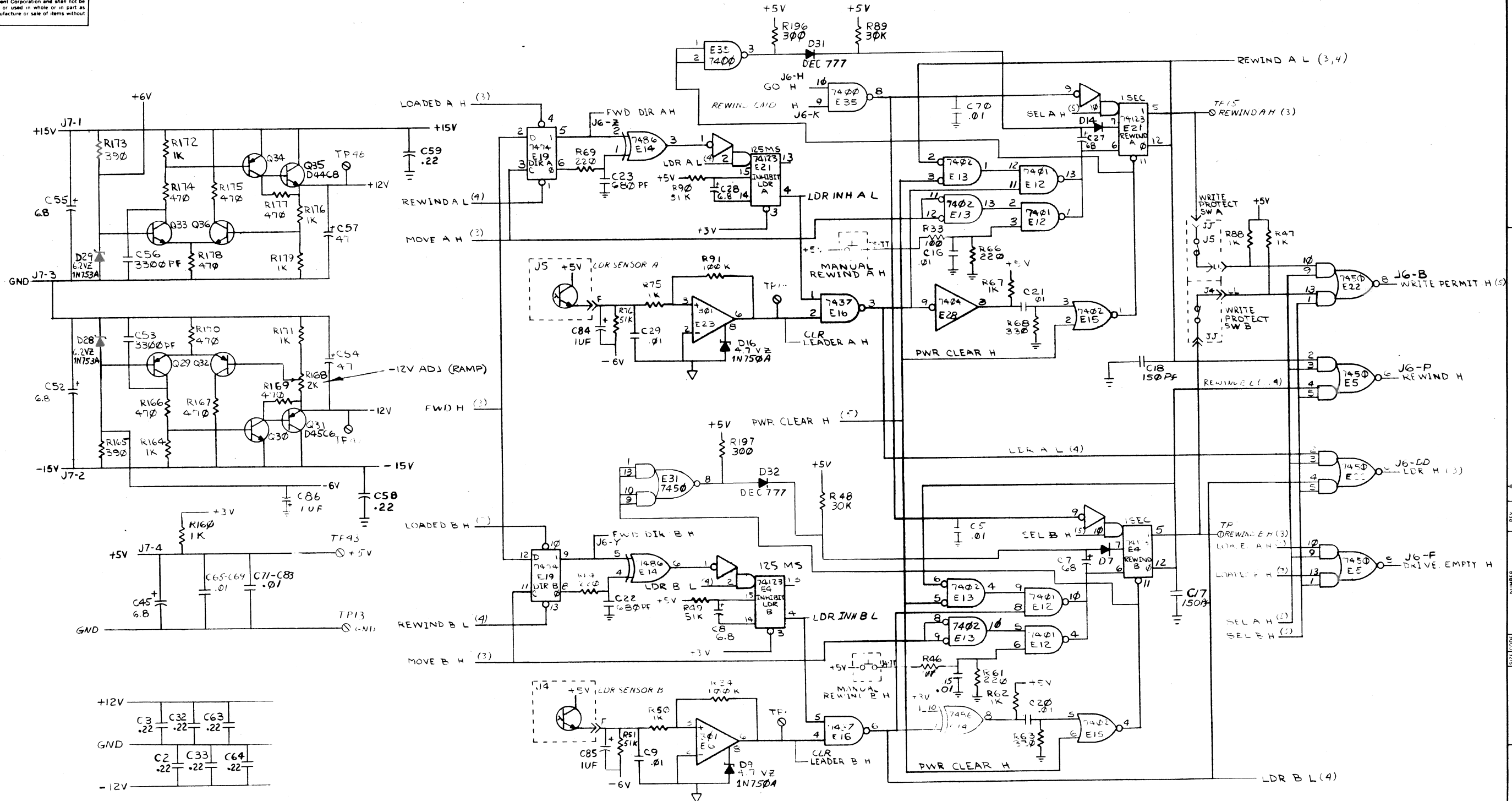
This drawing and specifications herein are the property of Digital Equipment Corporation and shall not be reproduced or copied or used in whole or in part as the basis for the manufacture or sale of items without written permission.



REV	NO	DATE	BY

FIRST USED ON OPTION/MODEL	QTY.	DESCRIPTION	PART NO.	ITEM NO.
TU60				
PARTS LIST				
UNLESS OTHERWISE SPECIFIED DIMENSION IN INCHES TOLERANCES	DRN. <i>K.S.</i>	DATE 8-11-72	digital EQUIPMENT CORPORATION MAYNARD MASSACHUSETTS	
DECIMALS ANGLES	CHK'D. <i>W. J. ...</i>	DATE 9/6/72		
XXX - .005 XX - .02 X - .1	±0°30'	PROJ. ENG. <i>M. L. ...</i>	DATE 9/6/72	TITLE READ / WRITE AND SERVO (MOTOR CIRCUITS)
REMOVE BURRS AND BREAK SHARP CORNERS SURFACE QUALITY	PROD. <i>M. ...</i>	DATE 9/21/72		
MATERIAL	NEXT HIGHER ASSY.			
FINISH	B-DD-TU60-0	SIZE CODE	NUMBER	REV.
	SCALE	D	CSM7761-0-1	M
	SHEET 3 OF 5	DIST.		

This drawing and specifications herein, are the property of Digital Equipment Corporation and shall not be reproduced or copied or used in whole or in part as the basis for the manufacture or sale of items without written permission.

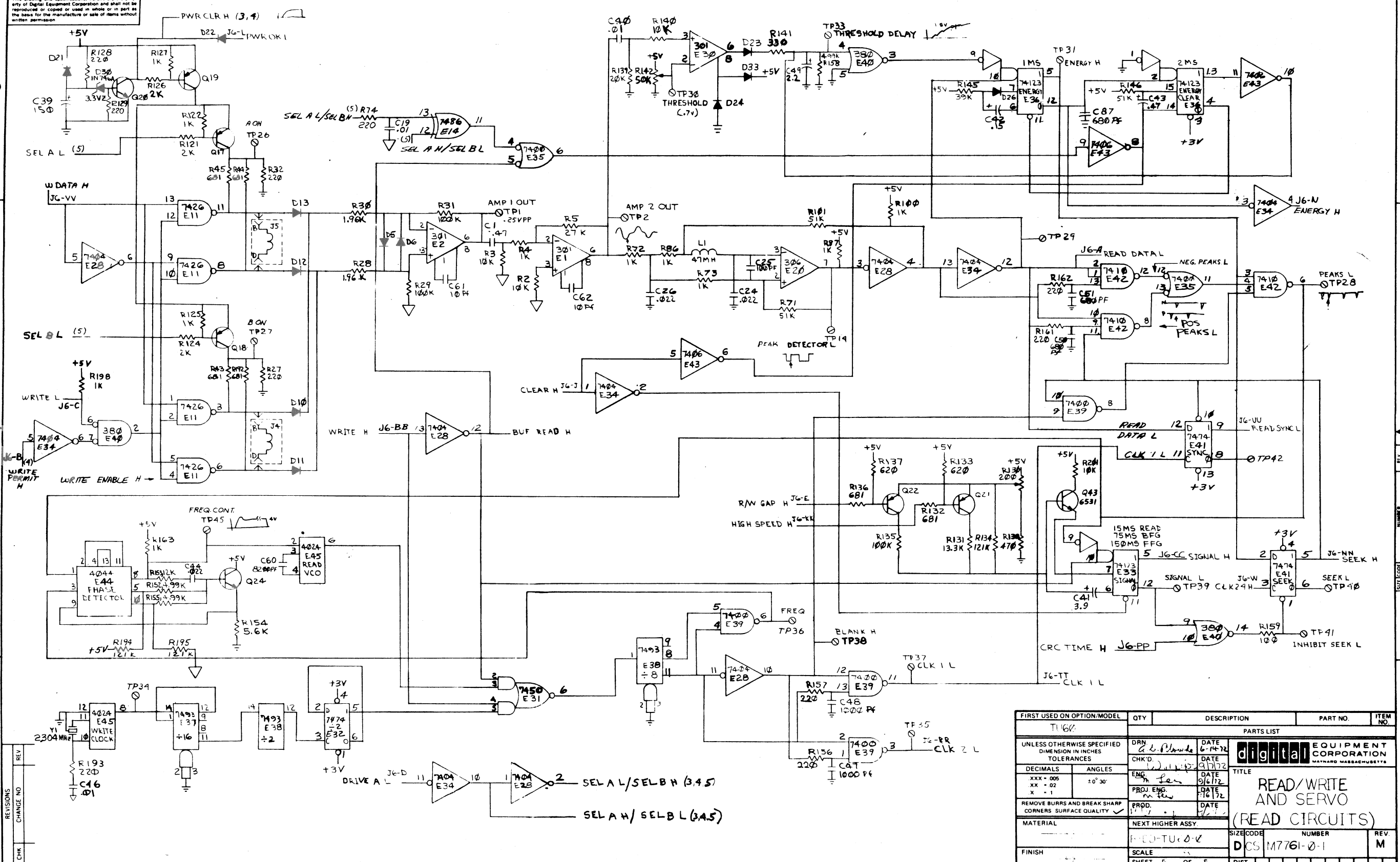


+5V — J4-W, X. J5-W, X. J6-S, T, U, V.
 GND — J4-A, C, E, H, K, L, Y, Z, AA, BB, PP, RR.
 J5-A, C, E, H, K, L, Y, Z, AA, BB, PP, RR.
 J6-EE, FF, HH, JJ.

REV. NO. 15886
 REVISIONS
 CHANGE NO.
 CHK.
 DATE

FIRST USED ON OPTION/MODEL	QTY.	DESCRIPTION	PART NO.	ITEM NO.
TUEQ		PARTS LIST		
UNLESS OTHERWISE SPECIFIED DIMENSION IN INCHES TOLERANCES	DRN CHK'D	DATE 8/14/72	digital EQUIPMENT CORPORATION MAYNARD MASSACHUSETTS	
DECIMALS ANGLES	ENG M LEC	DATE 1/6/72	TITLE READ/WRITE AND SERVO (REWIND/REG)	
XXX - .005 XX - .02 X - .1	PROJ. ENG PROD.	DATE 1/6/72	SIZE CODE D	
REMOVE BURRS AND BREAK SHARP CORNERS SURFACE QUALITY			NUMBER M7761-0-1	
MATERIAL	NEXT HIGHER ASSY		REV M	
FINISH	SCALE		SHEET 4 OF 7	

REV. NO. 15886
 NUMBER
 M7761-0-1



REVISIONS

REV	CHANGE NO

DEC FORM NO 100-1-B

FIRST USED ON OPTION/MODEL	QTY	DESCRIPTION	PART NO.	ITEM NO.
T160				
UNLESS OTHERWISE SPECIFIED DIMENSION IN INCHES TOLERANCES				
DECIMALS	ANGLES	PARTS LIST		
XXX - 005	±0° 30'	DRN	DATE	digital EQUIPMENT CORPORATION MATTAPOISETT, MASSACHUSETTS TITLE READ/WRITE AND SERVO (READ CIRCUITS)
XX - 02		CHK'D	DATE	
X - 1		ENG	DATE	
		PROJ. ENGR.	DATE	
REMOVE BURRS AND BREAK SHARP CORNERS SURFACE QUALITY				
MATERIAL				
NEXT HIGHER ASSY.				
FINISH				
SCALE				
SHEET 5 OF 5				
DCS M7761-0-1		SIZE CODE	NUMBER	REV
DIST				M