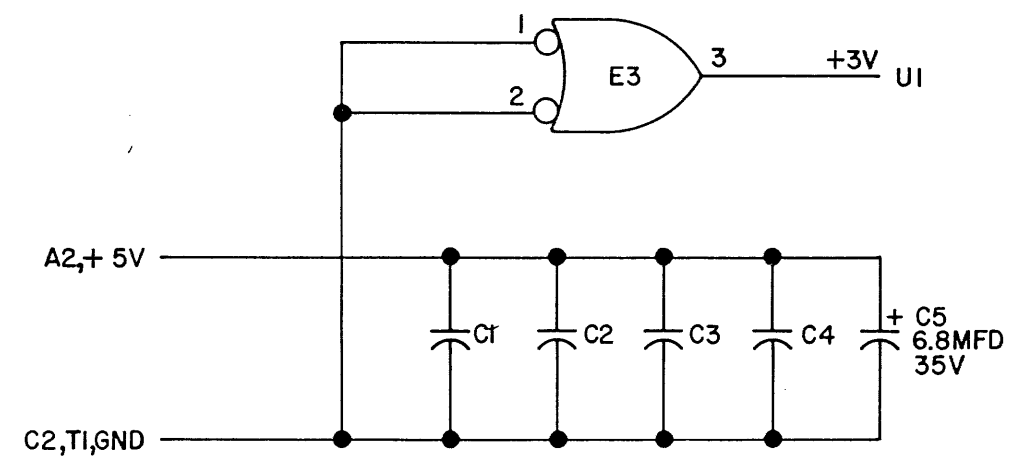
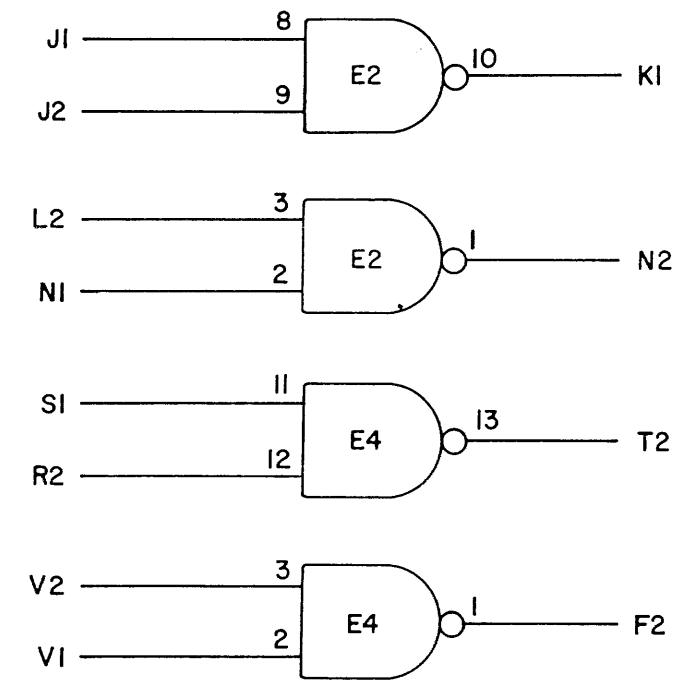
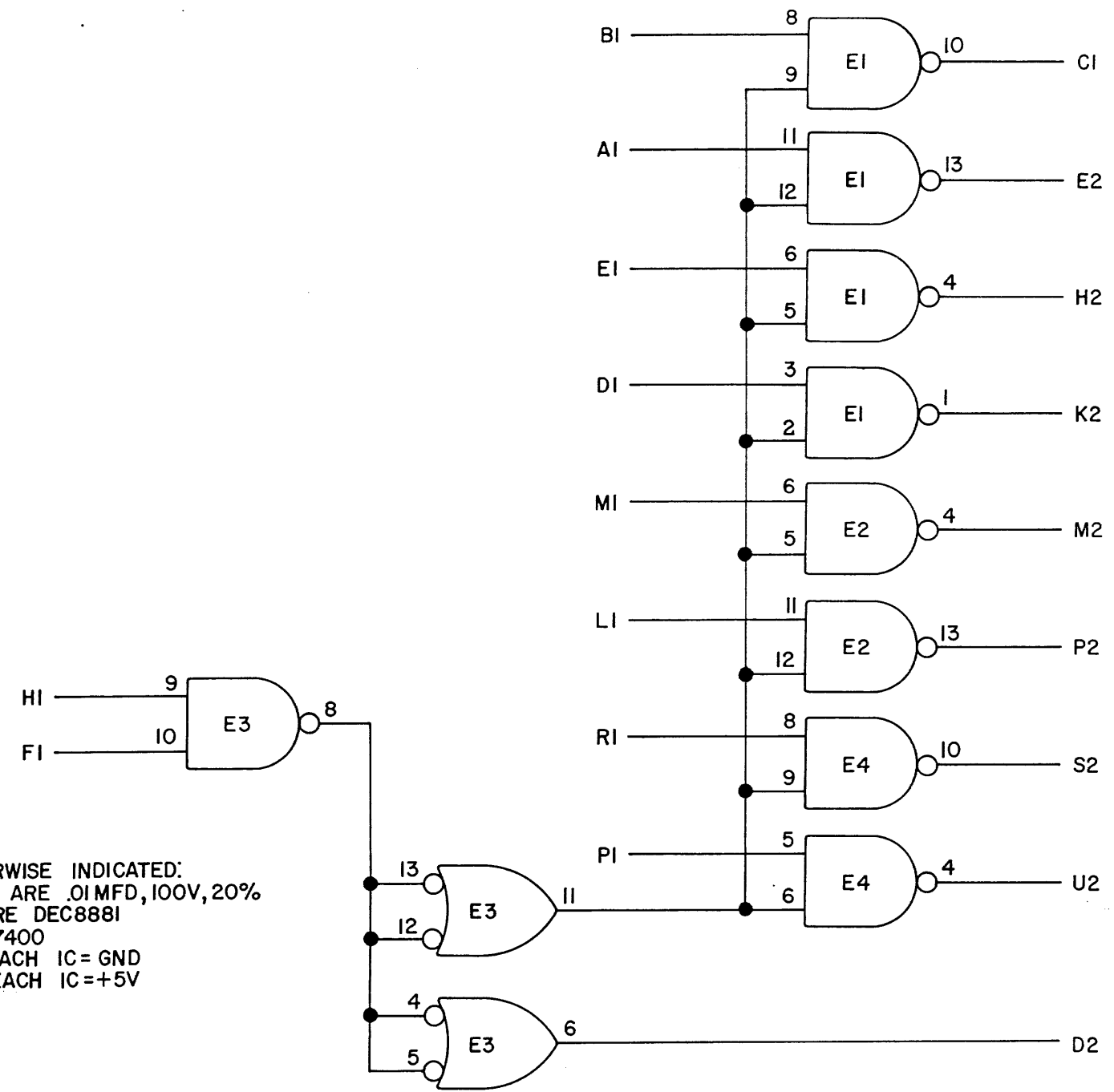


THIS SCHEMATIC IS FURNISHED ONLY FOR TEST AND MAINTENANCE PURPOSES. THE CIRCUITS ARE PROPRIETARY IN NATURE AND SHOULD BE TREATED ACCORDINGLY. COPYRIGHT 1969 BY DIGITAL EQUIPMENT CORPORATION

REV. NUMBER 1-0-882/W M783-0-1

SIZE CODE 8 CS



REVISIONS CHK CHG NO. REV.	DRN. <i>D. Patey</i>	DATE 11-21-69	TRANSISTOR & DIODE CONVERSION CHART				digital EQUIPMENT CORPORATION MAYNARD, MASSACHUSETTS	TITLE UNIBUS DRIVERS M783			
	CHK'D <i>[Signature]</i>	DATE	DEC	EIA	DEC	EIA		SIZE B	CODE CS	NUMBER M783-0-1	REV.
	ENG. <i>[Signature]</i>	DATE 2/25/70									
	PROD.	DATE									